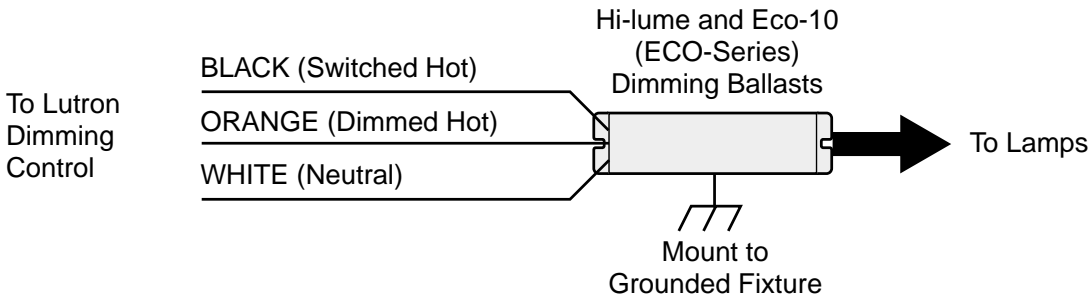


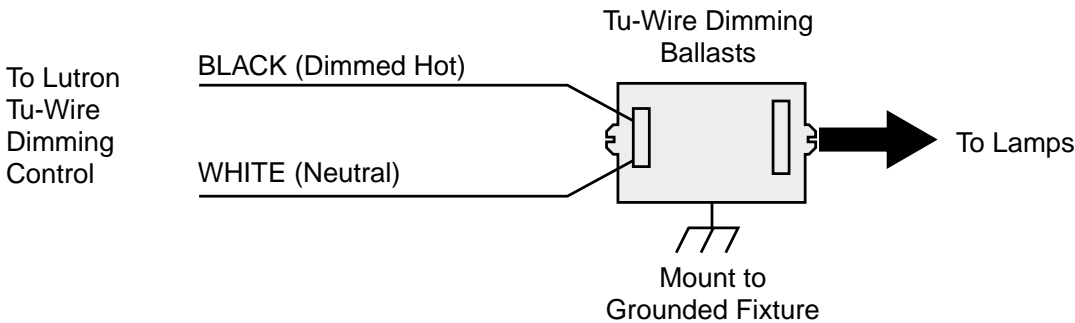
## Control to Ballast Wiring

**Note:** Wire colors shown are for Lutron controls and ballasts only. Control wire colors do not necessarily match ballast wire colors (e.g. control “dimmed hot” may be yellow and ballast “dimmed hot” may be orange).

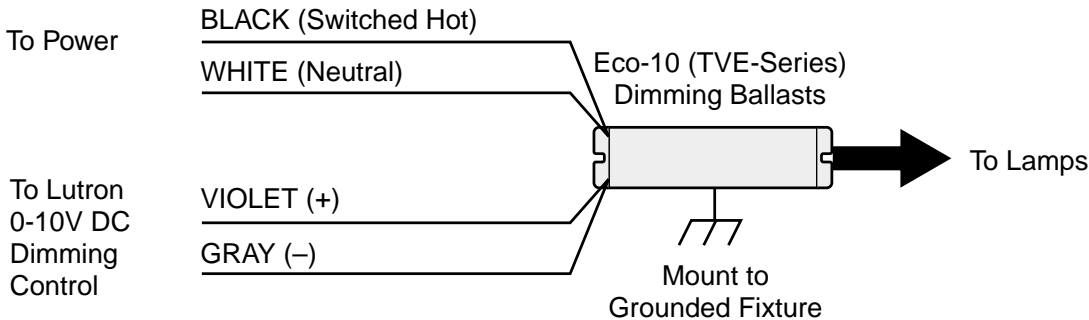
### 1 Hi-lume and Eco-10 (ECO-Series) Dimming Ballasts



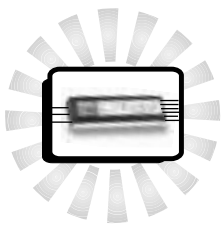
### 2 Tu-Wire Dimming Ballast



### 3 Eco-10 (TVE-Series) Dimming Ballast



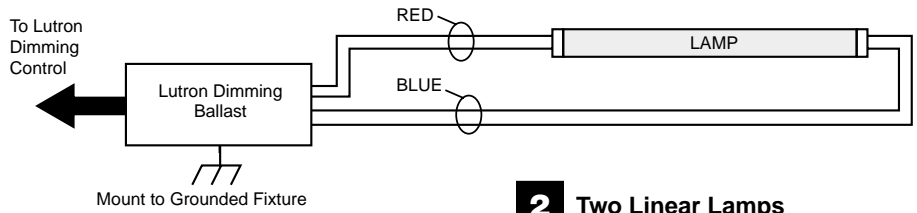
Wiring diagrams for specific Lutron fluorescent dimming controls are available at Lutron's web site at [www.lutron.com](http://www.lutron.com) or from Lutron's Fax-On-Demand service (1-800-523-9466)



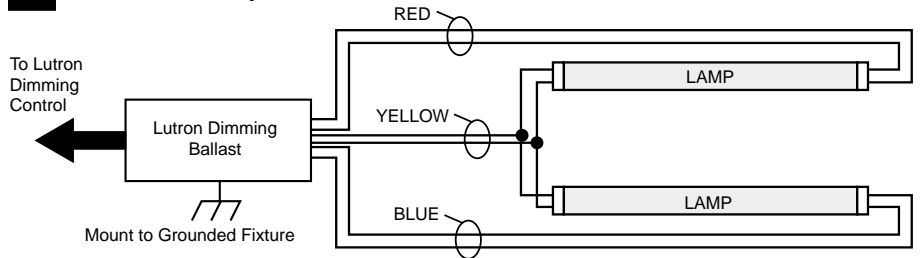
## Ballast to Lamp Wiring

**Note:** Wire colors shown are for Lutron controls and ballasts only.

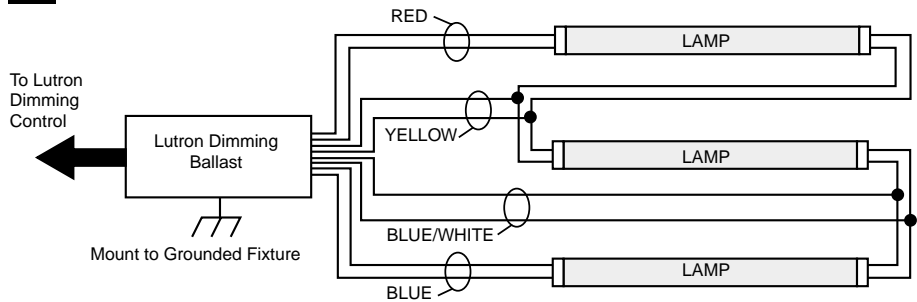
### 1 One Linear Lamp



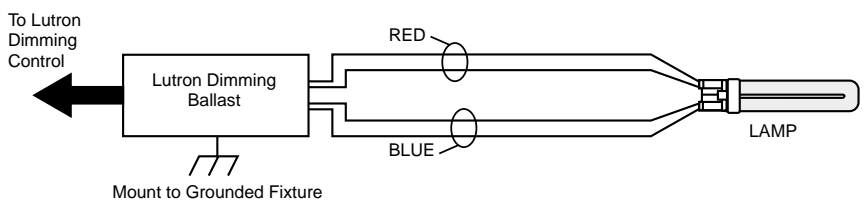
### 2 Two Linear Lamps



### 3 Three Linear Lamps



### 4 One Compact Fluorescent Lamp



### 5 Two Compact Fluorescent Lamps

