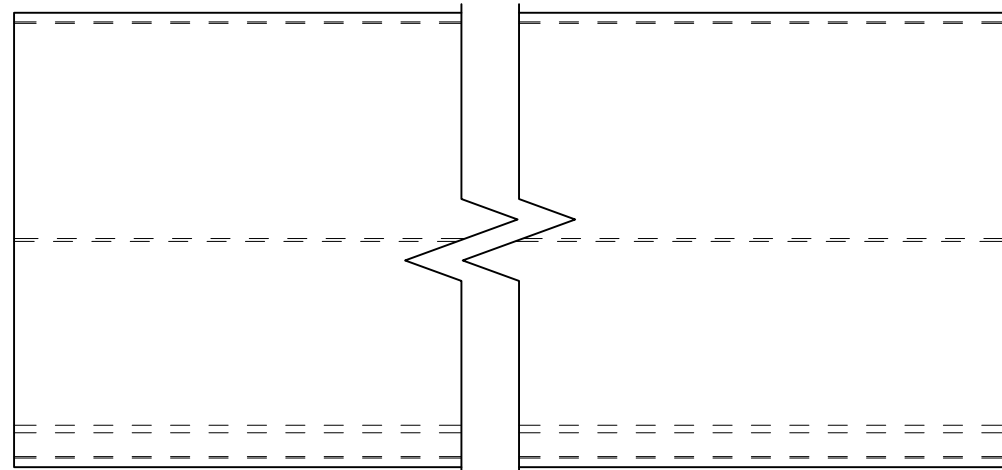
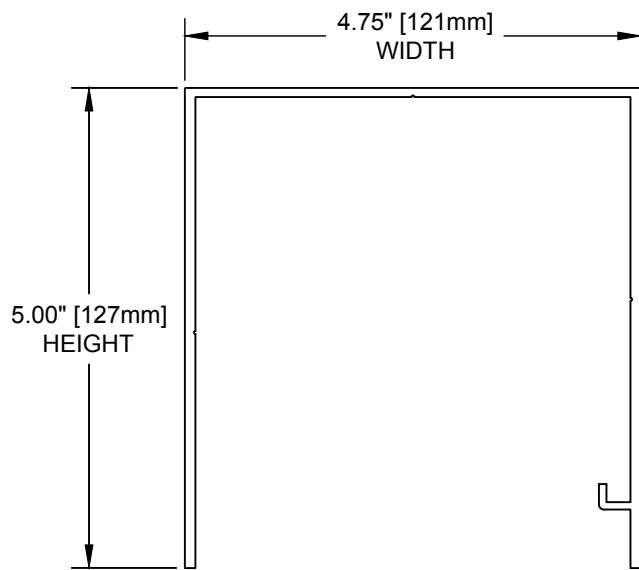


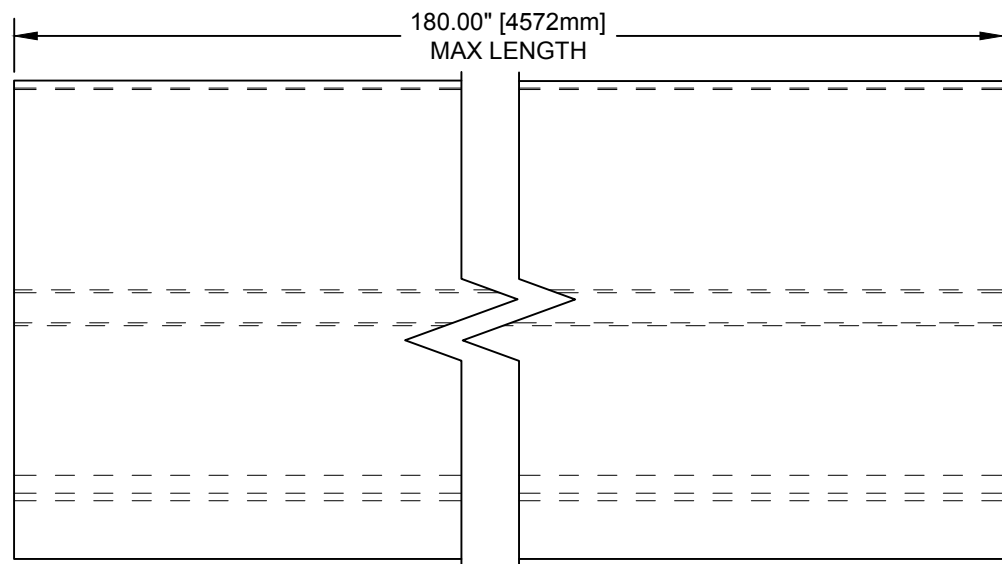
ISOMETRIC VIEW
SCALE 1:8



PLAN VIEW



SECTION VIEW



ELEVATION VIEW

NOTE:

1. AVAILABLE IN BLACK, BRONZE, SILVER AND WHITE

4.75" X 5" POCKET

SCALE: 1/4

DRAWING #: 085612

REVISION: A