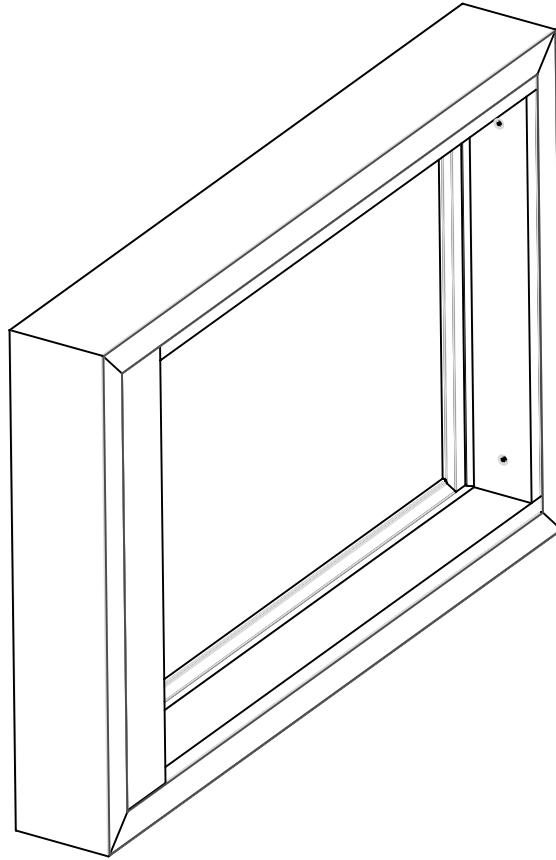


REFLECTED CEILING PLAN VIEW



ISOMETRIC VIEW



WIDTH VIEW



LENGTH VIEW

Lutron Electronics Co., Inc.  
7200 Suler Road | Coopersburg, PA 18036 | USA  
1 (800) 446-1503 | fax: (610) 282-7439  
shadinginfo@lutron.com



Copyright © 2009 Lutron Electronics Co., Inc.

SKYLIGHT - PRODUCT VIEWS  
DRAWING #  
REV: A