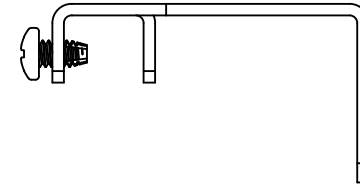
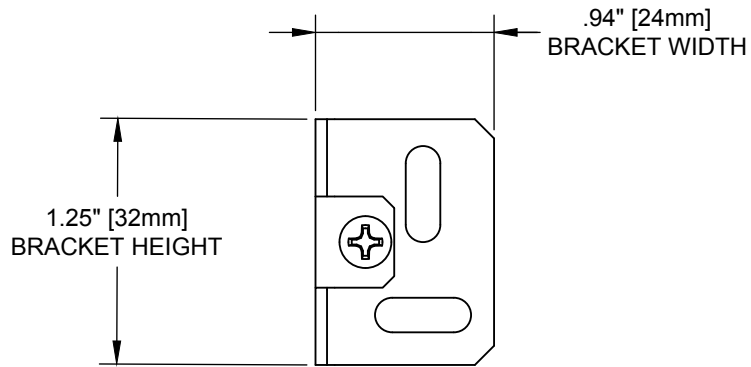


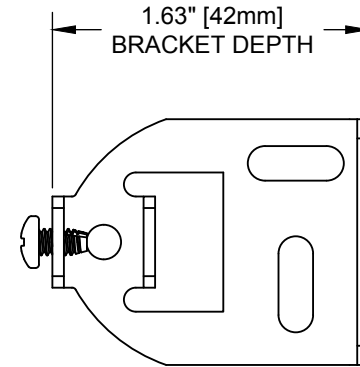
ISOMETRIC VIEW



PLAN VIEW



SECTION VIEW



ELEVATION VIEW

ROLLER 20 UNIVERSAL SHADE BRACKET

SCALE: 1/1

DRAWING #: 085538

REVISION: A