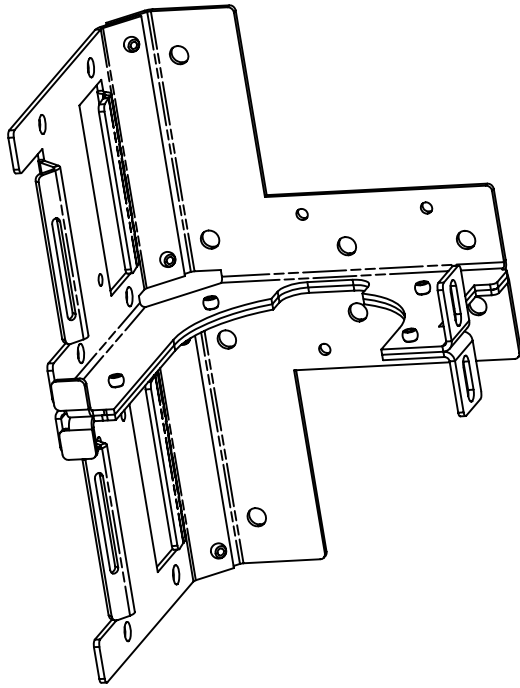


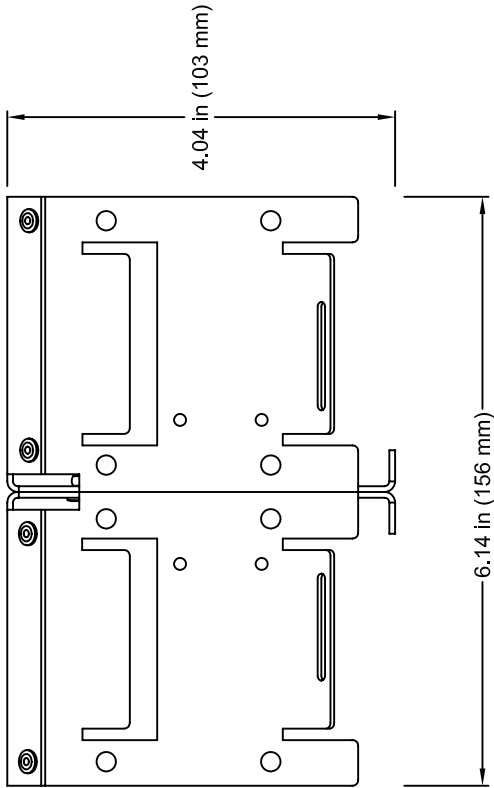
# BRACKET / LINEAL DETAIL DRAWING

SCALE: 1/2

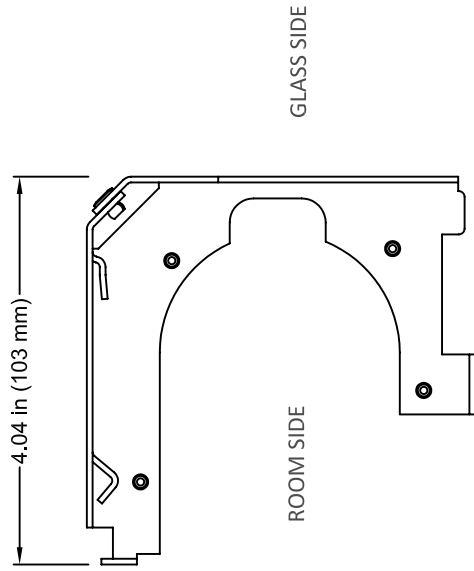
0132-R100-FSB-V



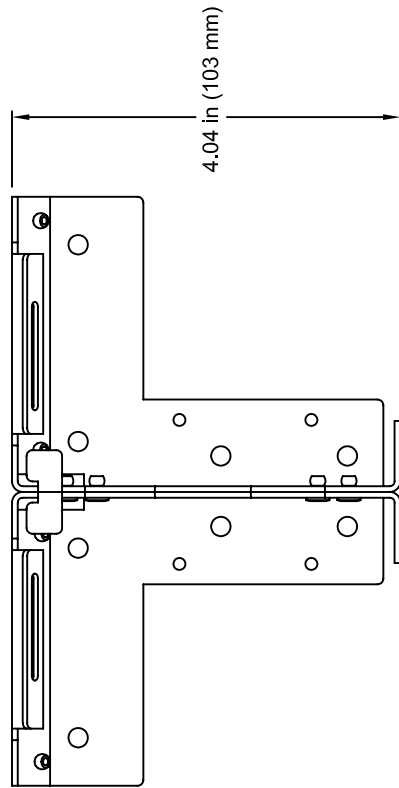
ISOMETRIC VIEW



TOP VIEW



SIDE VIEW



FRONT VIEW

**ROLLER 100 / 200CW COUPLED FASCIA SUB BRACKET**  
DRAWING #  
REV: A

Lutron Electronics Co., Inc.  
7200 Siler Road | Coopersburg, PA 18036 | USA  
1 (800) 446-1503 | fax: (610) 282-7439  
shadrinfo@lutron.com

**LUTRON**  
Copyright © 2009 Lutron Electronics Co., Inc.