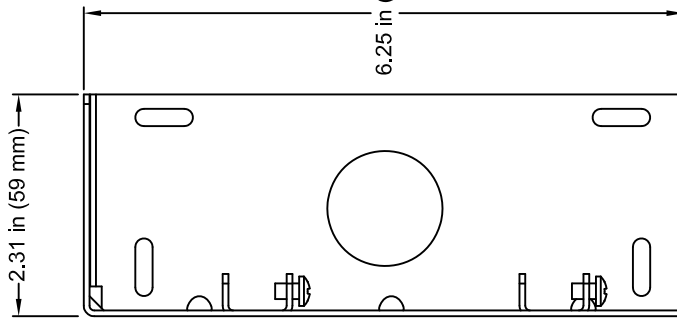
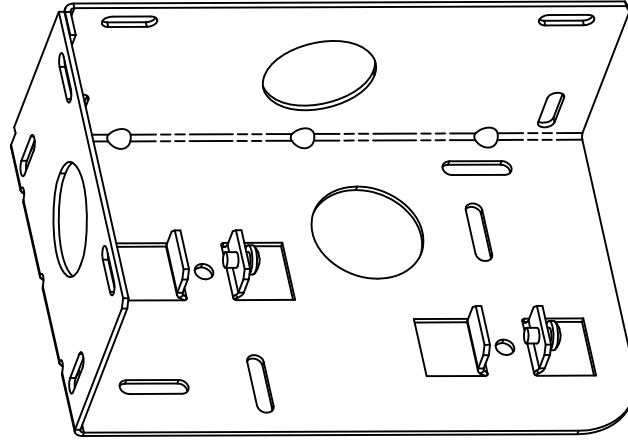


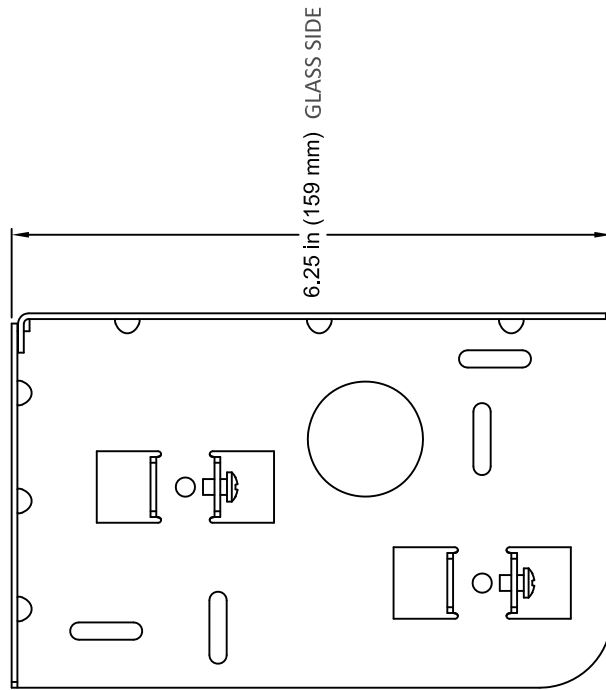
TOP VIEW



FRONT VIEW



ISOMETRIC VIEW



SIDE VIEW

ROLLER 64 DUAL SHADE BRACKET (LEFT)
DRAWING # REV: A

Lutron Electronics Co., Inc.
7200 Suter Road | Coopersburg, PA 18036 | USA
1 (800) 446-1503 | fax: (610) 282-7439
shadinginfo@lutron.com

LUTRON
Copyright © 2009 Lutron Electronics Co., Inc.