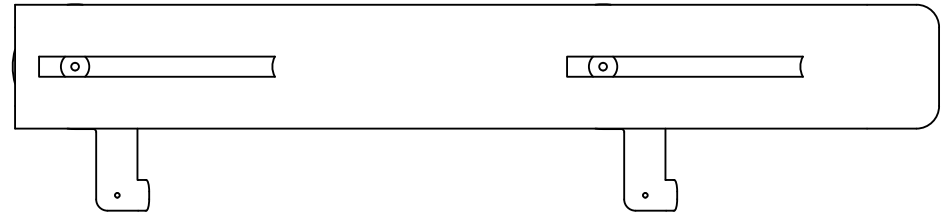
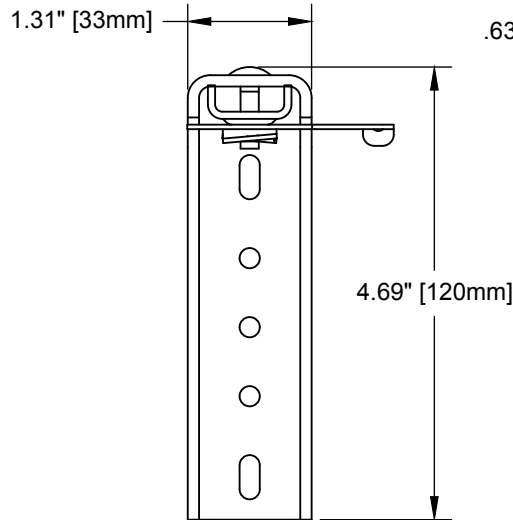


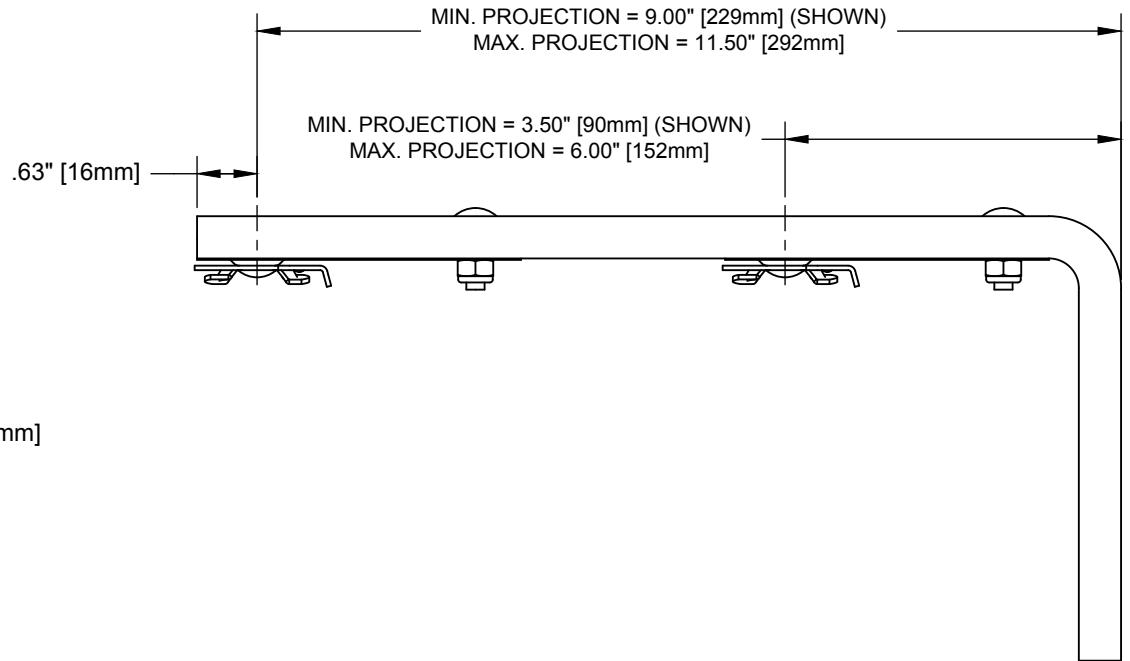
ISOMETRIC VIEW
SCALE 1:4



PLAN VIEW



SECTION VIEW



ELEVATION VIEW

DUAL WALL BRACKET

SCALE: 1/2

DRAWING #: 085565

REVISION: A