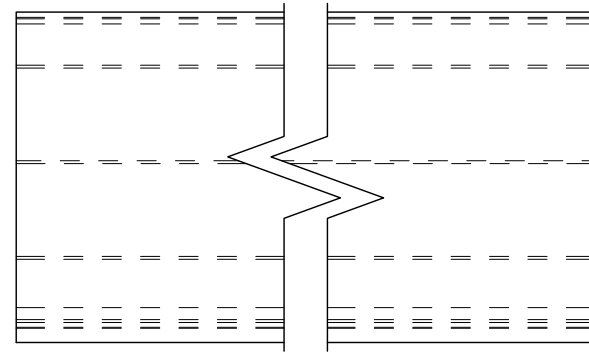
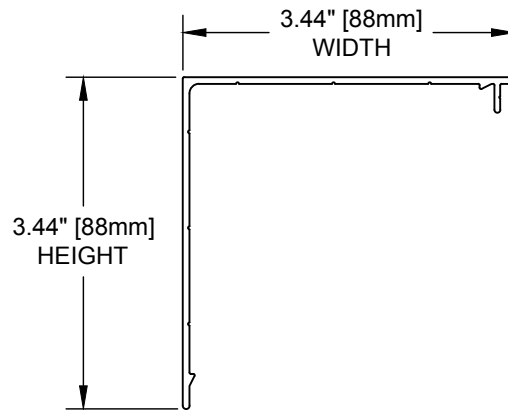


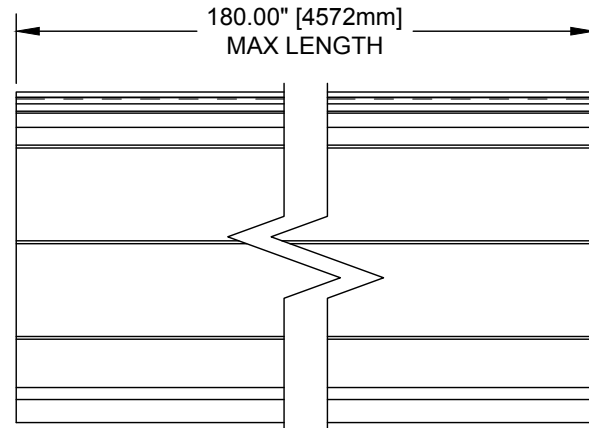
ISOMETRIC VIEW



PLAN VIEW



SECTION VIEW



ELEVATION VIEW

NOTE:

1. AVAILABLE IN BLACK, BRONZE, SILVER AND WHITE

3.5" TOP BACK COVER

SCALE: 1/2

DRAWING #: 085619

REVISION: A