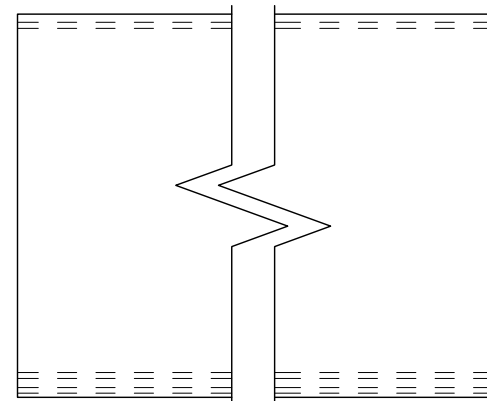
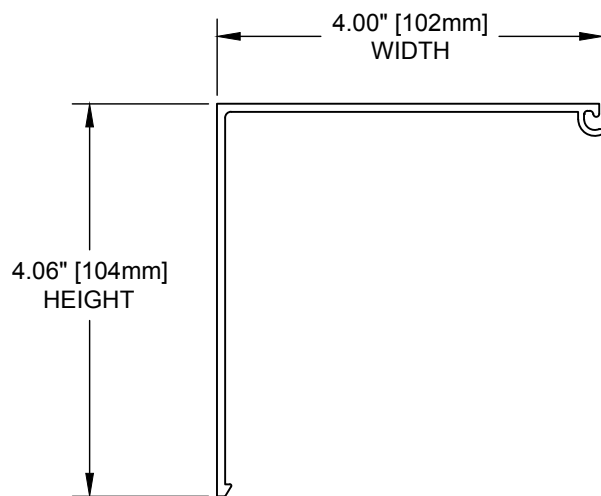


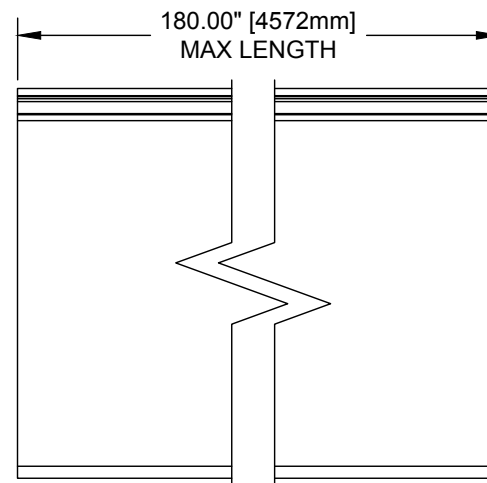
ISOMETRIC VIEW



PLAN VIEW



SECTION VIEW



ELEVATION VIEW

NOTE:

1. AVAILABLE IN BLACK, BRONZE, SILVER AND WHITE

<b>4" TOP BACK COVER</b>		
SCALE: 1/2	DRAWING #: 085611	REVISION: A