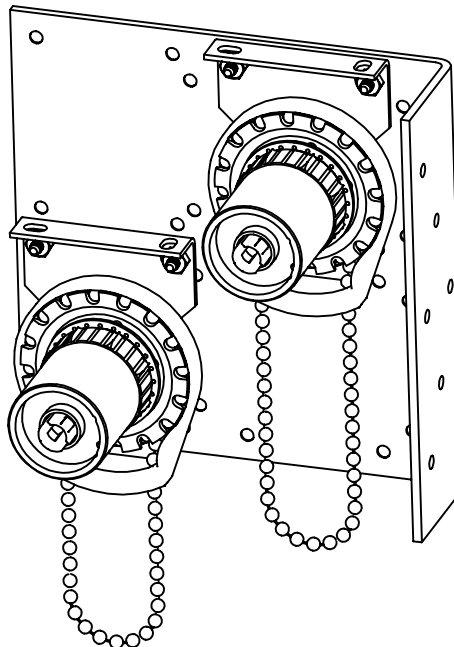


1

TYPICAL SECTION

SCALE: 1/2



2

ISOMETRIC VIEW

NOT TO SCALE

V16 MANUAL ROLLER - DUAL WALL MOUNT  
DRAWING #0187-V16M-DWM-S

REV: A

Lutron Electronics Co., Inc.  
7200 Siler Road | Coopersburg, PA 18036 | USA  
1(800) 446-1503 | fax: (610) 282-7439  
shadinginfo@lutron.com

**LUTRON**  
Copyright © 2010 Lutron Electronics Co., Inc.