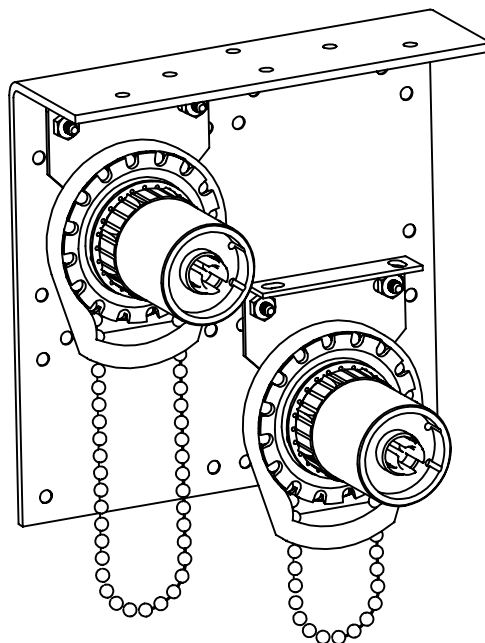


1

TYPICAL SECTION

SCALE: 1/2



2

ISOMETRIC VIEW

NOT TO SCALE