

ROMAN SHADE DETAIL DRAWING

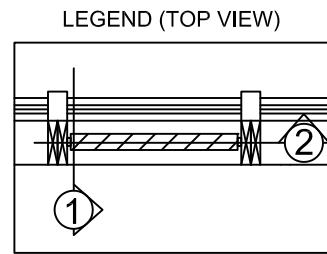
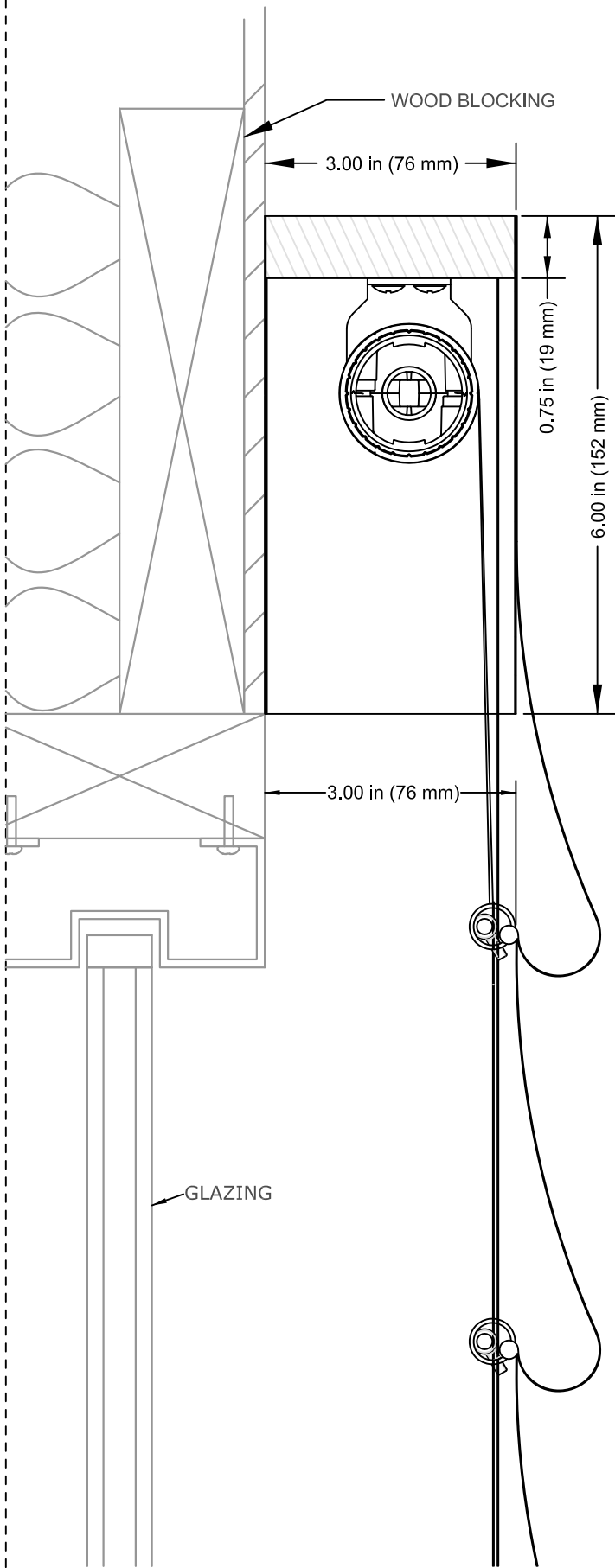
SCALE: 1/2

0275-ROMN-HBL-S

ROLLER 64 ROMAN SHADE - HOBBOLED STYLE
 DRAWING #
 REV: A

Lutron Electronics Co., Inc.
 7200 Sutter Road | Coopersburg, PA 18036 | USA
 1(800) 446-1503 | fax: (610) 282-7439
 shadinginfo@lutron.com

LUTRON
 Copyright © 2009 Lutron Electronics Co., Inc.



1 BACK CONTROL - TYPICAL SECTION

SCALE: 1/2