

Description

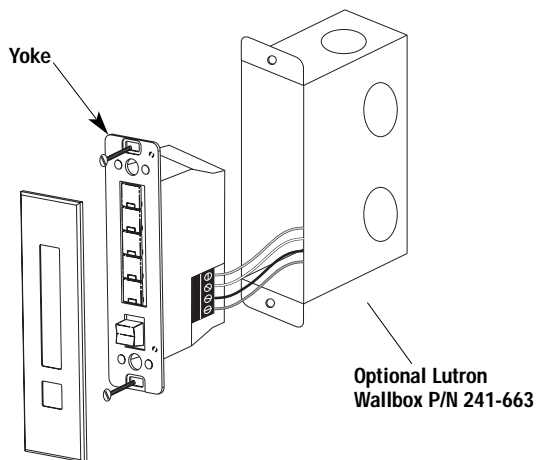
The OMX-4SLB-DW Architrave™ Style Control provides local access to the Lighting Control System to:

- Select groups of scenes in the Lighting Control System.
- Temporarily change the light settings for the current scene.
- Turn lighting zones off/on.
- Activate other system functions. Refer to the *GRAFIK 5000/GRAFIK 6000 Setup Software User's Guide* for other assignable functions.

Important Notes

1. READ ALL INSTRUCTIONS CAREFULLY BEFORE STARTING INSTALLATION.
2. This control must be installed by a qualified electrician.
3. Install in accordance with the National Electric Code and all applicable local regulations.
4. Turn power OFF at the control panel before installing controls. Do not connect high-voltage power to low-voltage terminals. Improper wiring can result in personal injury and damage to the control or to other equipment.
5. Use only a cloth with warm water and mild soap to clean faceplates (no chemical cleaners).

Mounting Diagram (with backbox)



Installation

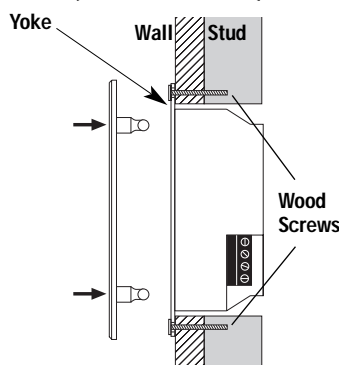
1. **Prewiring:** The Control Links require special wiring considerations. Refer to the *GRAFIK 5000/GRAFIK 6000 Installation Guide* and Lutron job drawings for wiring restrictions and limitations that apply to your specific project.
2. **Turn power OFF.**
WARNING: Always turn off the power to the control panel before doing any work. Failure to do so can result in damage to equipment.
3. **Assign Addresses:**
Address all controls on the Control Link. Refer to Lutron job drawings for any preassigned, job-specific address for each control. Each Control Link can support up to 32 controls. For proper system operation, each control on a link must have a unique address. Refer to Rear View of Control. Set DIP Switches 1-5 on the back of each control to one of the positions illustrated in Table 1. Record assignments in the "Location" column for future reference.
4. Strip insulation from wires so 3/8" (10 mm) bare wire is exposed. The terminals will accept up to two #18 AWG (1.0 mm²) wires. If



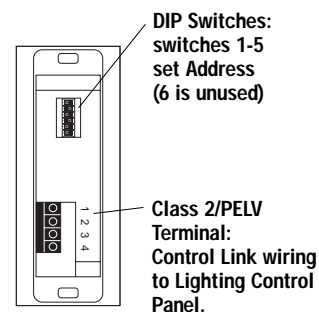
wires are larger, splice a #18 AWG (1.0 mm²) wire to the wires to make the connection.

5. Connect wiring as shown in Typical Control Link Wiring Diagram on the next page. Confirm all connections.
6. Mount Control as shown in the Mounting Diagram. Mounting shown with optional Lutron backbox (Part No. 241-663) or without. Wood screws are also provided for mounting control without a backbox. Please note: The yoke must be flush with the surface of the wall so that the faceplate will mount properly. In addition, the screws must be driven into a material that can support them. Lutron recommends framing the location in wood.
7. Restore power to the control panel **after** the installation of the system is complete.

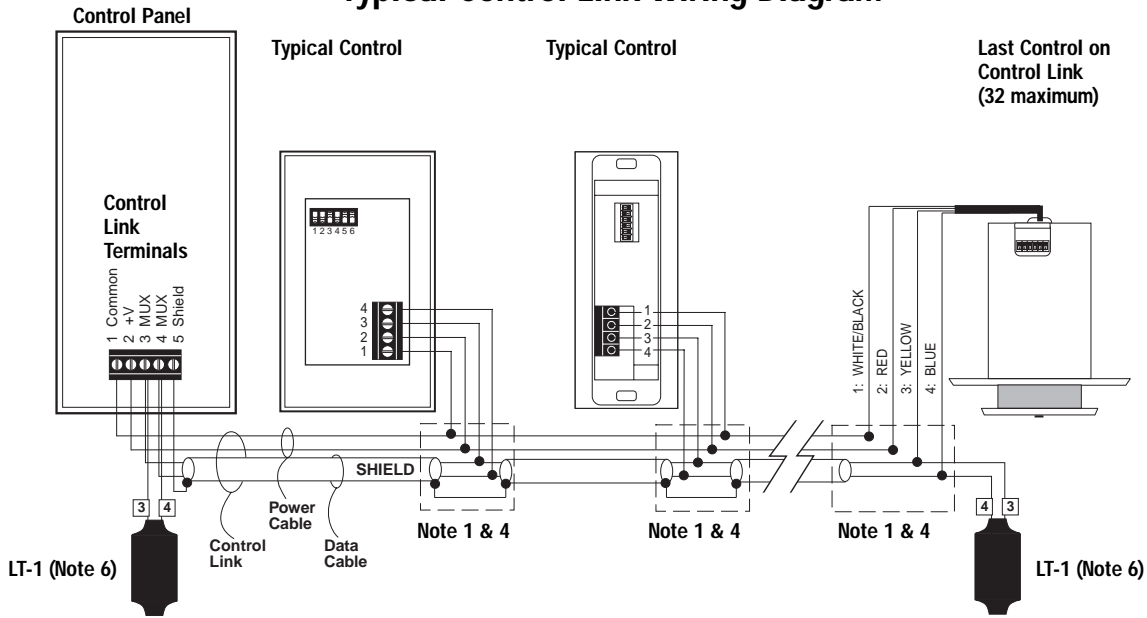
Mounting Diagram (without backbox)



Rear View of Control



Typical Control Link Wiring Diagram



Wiring Notes:

1. Connection of the control to the Control Link should be made inside the control's wallbox or in a junction box (provided by others) located no more than 8 ft. (2.4 m) from control.
2. Control Link wiring **MUST NOT** be run in the same raceway as 120VAC or 277VAC.
3. Total Control Link length is not to exceed 2000 ft. (610 m) unless signal is boosted using a link booster (MX-RPTR).
4. Data cable shield must be maintained throughout the Control Link. **DO NOT** connect the shield to earth ground.
5. Refer to the *GRAFIK 5000/GRAFIK 6000* Installation Guide and Lutron job drawings for power cable and data cable (Control Link) wiring restrictions and limitations.
6. Control Link requires a LT-1, Link Termination Assembly, at each end of the Control Link. Refer to the LT-1 instruction sheet for location and installation information.

Table 1: Address Selection

Address #	Switch Setting	Location	Address #	Switch Setting	Location	Address #	Switch Setting	Location	Address #	Switch Setting	Location
	1 2 3 4 5 6			1 2 3 4 5 6			1 2 3 4 5 6			1 2 3 4 5 6	
1	▲▲▲▲▲▲		9	▲▲▲▲▼▲		17	▲▲▲▲▲▲		25	▲▲▲▲▼▲	
2	▼▲▲▲▲▲		10	▼▲▲▲▼▲		18	▼▲▲▲▲▲		26	▼▲▲▲▼▲	
3	▲▼▲▲▲▲		11	▲▼▲▲▲▲		19	▲▲▲▲▲▲		27	▲▲▲▲▼▲	
4	▼▼▲▲▲▲		12	▼▼▲▲▼▲		20	▼▲▲▲▲▲		28	▼▼▲▲▼▲	
5	▲▲▼▲▲▲		13	▲▲▲▲▼▲		21	▲▲▲▲▲▲		29	▲▲▲▲▼▲	
6	▼▲▲▼▲▲		14	▼▲▲▼▲▲		22	▼▲▲▼▲▲		30	▼▲▲▼▲▲	
7	▲▼▲▼▲▲		15	▲▼▲▼▲▲		23	▲▼▲▼▲▲		31	▲▼▲▼▲▲	
8	▼▼▲▼▲▲		16	▼▼▲▼▲▲		24	▼▼▲▼▲▲		32	▼▼▲▼▲▲	

Switch Up (ON) Switch Down (OFF)

Internet: www.lutron.com
E-mail: product@lutron.com

WORLD HEADQUARTERS
Lutron Electronics Co. Inc.,
TOLL FREE: (800) 523-9466
(U.S.A., Canada, Caribbean)
Tel: (610) 282-3800
International ++1-610-282-3800
Fax: (610) 282-1243
International ++1-610-282-1243

GREAT BRITAIN
Lutron EA Ltd.,
Tel: (171) 702-0657
International ++44-(0)207-702-0657
Fax: (171) 480-6899
International ++44-(0)207-480-6899

GERMANY
Lutron Electronics GmbH
Tel: (309) 710-4590
International ++49-30-97-10-4590
Fax: (309) 710-4591
International ++49-30-97-10-4591

FRANCE
Lutron LTC
International ++33-(0)1-44-70-71-86
Int'l Fax: ++33-(0)1-44-70-70-97

ASIAN HEADQUARTERS
Lutron Asuka Corporation (Japan)
Tel: (03) 5405-7333
International ++81-3-5405-7333
Fax: (03) 5405-7496
International ++81-3-5405-7496

HONG KONG SALES OFFICE
Lutron GL (Hong Kong)
Tel: 2104-7733
International ++852-2104-7733
Fax: 2104-7633
International ++852-2104-7633

SINGAPORE
Lutron GL (Singapore)
Tel: ++65-220-4666
Fax: ++65-220-4333

LIMITED WARRANTY

Lutron will, at its option, repair or replace any unit that is defective in materials or manufacture within one year after purchase. For warranty service, return unit to place of purchase or mail to Lutron at 7200 Suter Rd., Coopersburg, PA 18036-1299, postage pre-paid.

This warranty is in lieu of all other express warranties, and the implied warranty of merchantability is limited to one year from purchase. This warranty does not cover the cost of installation, removal or reinstallation, or damage resulting from misuse, abuse, or improper or incorrect repair, or damage from improper wiring or installation. This warranty does not cover incidental or consequential damages. Lutron's liability on any claim for damages arising out of or in connection with the manufacture, sale, installation, delivery, or use of the unit shall never exceed the purchase price of the unit.

This warranty gives you specific legal rights, and you may also have other rights which vary from state to state. Some states do not allow limitations on how long an implied warranty lasts, so the above limitation may not apply to you. Some states do not allow the exclusion or limitation of incidental or consequential damages, so the above limitation or exclusion may not apply to you. Grafik 5000 and Architrave are trademarks; Lutron and Grafik 6000 are registered trademarks of Lutron Electronics Co., Inc.

© 2001 Lutron Electronics Co., Inc.

LUTRON®

Lutron Electronics Co., Inc.
Made and printed in U.S.A.
P/N 030-623 Rev. B 5/01