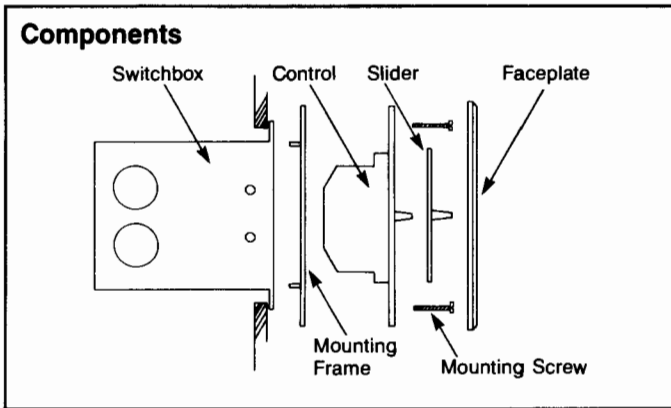


Installation Instructions
Please Leave for Occupant

Multigang Faceplates



Important Notes—Please Read Before Installation

Mounting Frame: If faceplate does not snap on easily or controls do not align properly, install mounting frame provided with faceplate.

Wall Surface: To ensure proper alignment, mount controls on flat wall. Use mounting frame to provide flat surface, if necessary. If wall surface curves excessively, faceplate may form to curvature. See Troubleshooting Guide (Table A) for solutions.

Rough-in Holes: Oversized holes (more than 1/8 in. gap) may not provide sufficient support for controls. See Troubleshooting Guide (Table A) for solutions.

Clean Controls: Make sure yokes of controls are free from debris (e.g., plaster, spackling compound) before installing mounting frame and/or multigang faceplate.

Maintenance: Clean faceplates with non-abrasive cleaner or mild soap and warm water. Brass faceplates are clear-sealed with protective coating. Do *not* use polish.

Installation

1. Turn power OFF at fusebox or circuit. Installing with power on can cause personal injury. Damage to products caused by installing with power on voids warranty.

2. If controls are not installed, wire them according to their instructions. If you need to use mounting frame, follow steps 2a through 2f; otherwise go to step 3.

a. If controls are already installed, unscrew mounting screws and remove controls from switchboxes so that they hang by their wires. If controls are not installed, wire them according to their instructions but leave them hanging by their wires.

b. Turn each control 90° and feed it through mounting frame (see Figure A).

Note: Flanges must face wall.

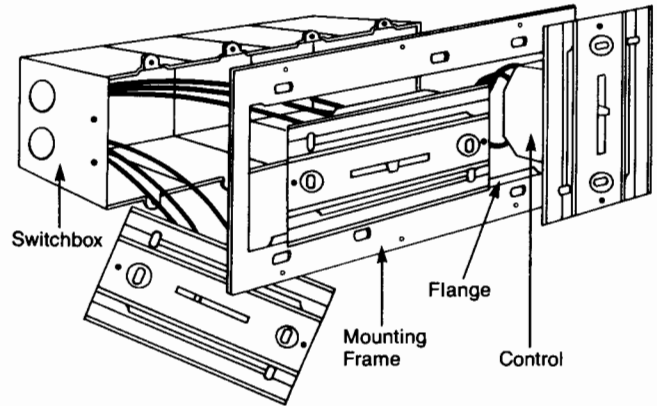


Figure A. Feeding Controls Through Frame

c. Position frame against wall. Line up frame mounting holes with corresponding switchbox mounting holes (see Figure B).

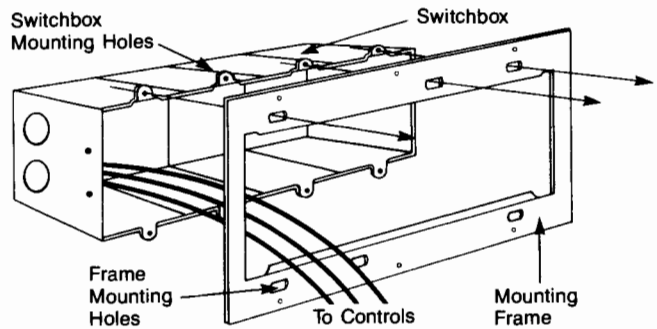


Figure B. Positioning Mounting Frame

d. Start with first small control (if any) on end of gang. Holding frame in place, mount control to switchbox using center mounting holes. Controls must be mounted vertically (see Figure C). Make sure screws go through frame mounting holes. Leave screws finger-tight.

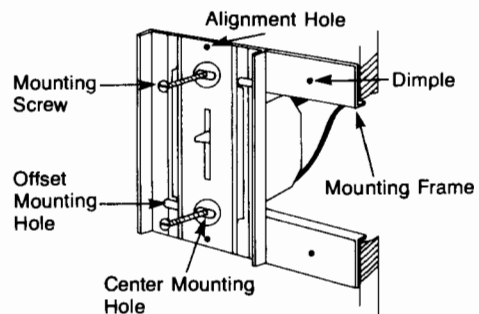


Figure C. Mounting Controls in Frame

- e. Repeat for all remaining controls. Use center and offset mounting holes as required.
- f. Dimples on mounting frame ensure proper spacing for controls. Position first control firmly, ensuring that dimples are aligned with small alignment holes at top and bottom of control (see Figure C). Tighten screws. Repeat for remaining controls.

Note: Frame should not bend; if it does, see *Troubleshooting Guide (Table A)*.

- 3.** When controls are mounted, refer to their instructions for any low- or high-end trim adjustments before installing sliders and faceplate.

- 4.** Push sliders out from back of faceplate and remove all tape.

- 5.** Install sliders so LUTRON inscription is upright. If a Vareo™ or NTETS-R control is used, refer to accompanying instructions for button installation.

- 6.** Snap on faceplate by pressing at top, middle, and bottom tab locations.

Note: To remove faceplate, detach at several locations along top and bottom; then pull it off.

Table A. Troubleshooting Guide

Problem	Cause/Solution
1. Controls overlap.	This may occur when side sections of controls have been removed, which creates burrs. File burrs to smooth them down.
2. Faceplate does not snap on.	Units are probably misaligned. Use mounting frame to provide flat surface. Dimples ensure proper spacing, but excessive wall curvature may force frame to conform to wall curvature. Provide support behind frame.* If you need further assistance, call the toll-free Lutron Hotline .
3. Control has no support top and bottom.	If the rough-in hole is oversized (more than 1/8" gap around the switchbox), control may not have full support. Use mounting frame. If it does not provide sufficient support, you may need to add support behind frame.*
4. Touch switches are not actuating.	Plate may not be fully snapped on. Ensure all tabs are engaged. If they are, curvature in wall may affect operation. See item 2 above.
5. Units do not fit through mounting frame.	Some older model controls may interfere with mounting frame. Call the toll-free Lutron Hotline .

*If gap exists between mounting frame and wall, fill it with suitable material (e.g. plaster, spackling compound).

Installation Assistance

If you need assistance, call the toll-free **Lutron Hotline**:

(800) 523-9466 (U.S.A.)

(800) 222-4509 (Pennsylvania)

Outside U.S.A., call (215) 282-3800

FAX (215) 282-3090

TELEX 847475 LUTRON CPBG

TWX 510-651-3755 LUTRON CPBG

Lutron warrants each new unit to be free from defects in material and workmanship, and to perform under normal use and service.

This warranty shall run only for a period of one year from the date of purchase and Lutron's obligations under this warranty are limited to remedying any defect or replacing any defective part and shall be effective only if the defective unit is shipped to Lutron postage prepaid within 12 months after purchase.

Damage due to abuse, misuse, inadequate wiring or insulation is not covered by this warranty.

In no event shall Lutron or any other seller be liable for any other loss or damage including consequential or special damages that may arise through the use by a purchaser or others of this device and the purchaser assumes and will hold harmless Lutron in respect of all such loss.



Lutron Electronics Co., Inc.
7200 Suter Road
Coopersburg, PA 18036-1299

Made and printed in U.S.A. 10/89 P/N 030-200 Rev. A