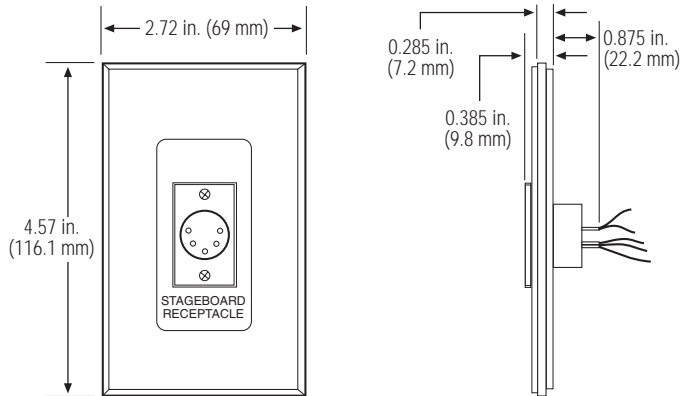


**Installation Instructions**  
*Please Leave for Occupant*

**NT-DMXJ-IN**  
**Theatrical Stageboard Receptacle**  
(Class 2/PELV Device)



**Description**

The NT-DMXJ Theatrical Stageboard Receptacle allows a Lutron Grafik 6000 Lighting Control System to connect to and control a theatrical stage board. The receptacle features a five-pin XLR style male jack for connecting Link B\* of the Circuit Selector to a theatrical stage board and provides a standard DMX-512 pinout (theatrical protocol).

\* If DMX is the primary communications protocol, the NT-DMXJ Receptacle may also connect to Link A of the Circuit selector. Please contact Lutron for more information regarding this configuration.

**Important Notes**

1. READ ALL INSTRUCTIONS CAREFULLY BEFORE STARTING INSTALLATION.
2. This device must be installed by a qualified electrician.
3. Install in accordance with the *National Electric Code*<sup>®</sup> and all applicable local regulations.
4. Turn power OFF at the control panel before installing the device. Do not connect high-voltage power to low voltage terminals. Improper wiring can result in personal injury or damage to the control or to other equipment.

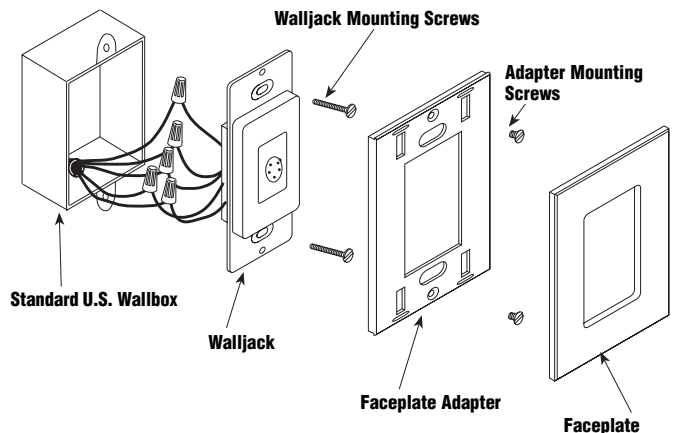
**Installation**



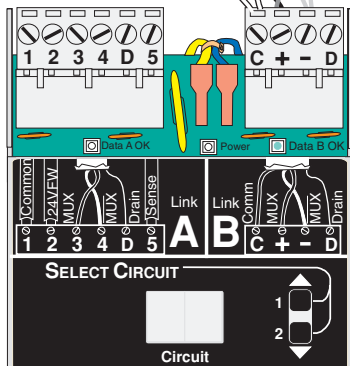
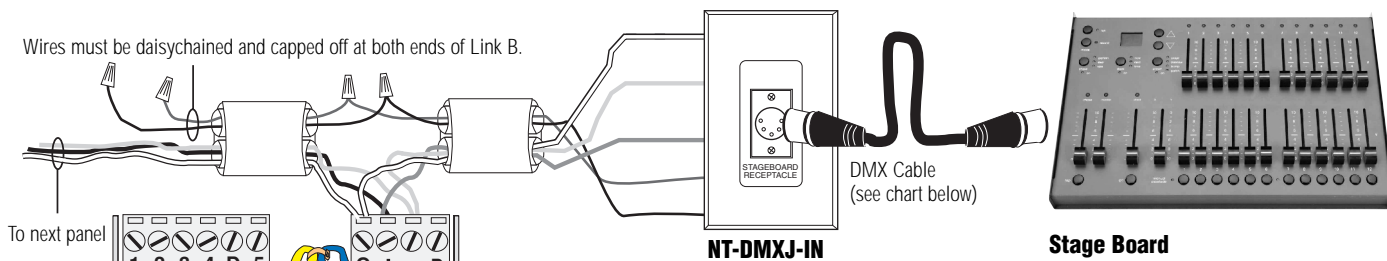
**DANGER!** Always turn off the power to the control panel before doing any work. Failure to do so can result in serious personal injury and damage to equipment.

1. Prewiring: The Control Links require special wiring considerations. Refer to the User's Guide and Lutron job drawings for wiring restrictions and limitations that apply to your specific project.
2. Turn power OFF.
3. Separate faceplate from faceplate adapter by pulling from the center of the top of the faceplate. Unscrew faceplate adapter and set aside.
4. Strip insulation from wires so 3/8" bare wire is exposed. This device does not get an address and does not count as one of the 32 controls allowed on the Control Link.
5. Connect wiring as shown on the following page and confirm all connections.
6. Mount device as shown in the Mounting Diagram using the mounting screws provided. Screw on faceplate adapter and snap on faceplate.
7. Restore power to the control panel **after** the installation of the system is complete.

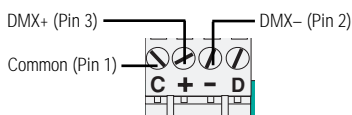
**Mounting Diagram**



# Typical Wiring: DMX to Link B (2Link™ only)



**Circuit Selector in the GP Panel**



**DMX Cable Wiring Table**

DMX Cable Type	Wire	From Circuit Selector	To DMX Jack (Pin #)
Belden 9729/89729:	(2) drain/shield	C	C (1) (white/black)
	white	+	+ (3)* (yellow)
	black	-	- (2)* (red)
	black	No Connect	- (4) (blue)
Duraflex 22/4WS: <b>OR</b> Lutron GRX-CBL-DMX-250/500:	(2) drain/shield	C	C (1) (white/black)
	white	+	+ (3)* (yellow)
	black	-	- (2)* (red)
	green	No Connect	- (4) (blue)
	red	No Connect	+ (5) (black)

\* Wire in daisy-chain configuration as follows: **C** to **C**, **+** to **+**, and **-** to **-**.

Internet: [www.lutron.com](http://www.lutron.com)  
E-mail: [product@lutron.com](mailto:product@lutron.com)

**WORLD HEADQUARTERS**  
Lutron Electronics Co. Inc.,  
TOLL FREE: (800) 523-9466  
(U.S.A., Canada, Caribbean)  
Tel: (610) 282-3800;  
International ++1-610-282-3800  
Fax: (610) 282-1243;  
International ++1-610-282-1243

**GREAT BRITAIN**  
Lutron EA Ltd.,  
Tel: (171) 702-0657;  
International ++44-(0)207-702-0657  
Fax: (171) 480-6899;  
International ++44-(0)207-480-6899

**GERMANY**  
Lutron Electronics GmbH  
Tel: (309) 710-4590;  
International ++49-30-97-10-4590  
Fax: (309) 710-4591;  
International ++49-30-97-10-4591

**FRANCE**  
Lutron LTC  
International ++33-(0)1-44-70-71-86  
Int'l Fax: ++33-(0)1-44-70-70-97

**ASIAN HEADQUARTERS**  
Lutron Asuka Co., Ltd. (Japan)  
Tel: (03) 5575-8411;  
International ++81-3-5575-8411  
Fax: (03) 5575-8420;  
International ++81-3-5575-8420

**HONG KONG SALES OFFICE**  
Lutron GL (Hong Kong)  
Tel: 2104-7733;  
International ++852-2104-7733  
Fax: 2104-7633;  
International ++852-2104-7633

**SINGAPORE**  
Lutron GL (Singapore)  
Tel: ++65-220-4666  
Fax: ++65-220-4333

## LIMITED WARRANTY

Lutron will, at its option, repair or replace any unit that is defective in materials or manufacture within one year after purchase. For warranty service, return unit to place of purchase or mail to Lutron at 7200 Suter Rd., Coopersburg, PA 18036-1299, postage pre-paid.

**This warranty is in lieu of all other express warranties, and the implied warranty of merchantability is limited to one year from purchase. This warranty does not cover the cost of installation, removal or reinstallation, or damage resulting from misuse, abuse, or improper or incorrect repair, or damage from improper wiring or installation. This warranty does not cover incidental or consequential damages. Lutron's liability on any claim for damages arising out of or in connection with the manufacture, sale, installation, delivery, or use of the unit shall never exceed the purchase price of the unit.**

This warranty gives you specific legal rights, and you may also have other rights which vary from state to state. Some states do not allow limitations on how long an implied warranty lasts, so the above limitation may not apply to you. Some states do not allow the exclusion or limitation of incidental or consequential damages, so the above limitation or exclusion may not apply to you.

This product may be covered under the following U.S. patent: 4,835,343 and corresponding foreign patents.

Nomex is a registered trademark of E.I. Du Pont de Nemours and Company.  
National Electrical Code is a registered trademark of National Fire Protection Association.  
Lutron, and GRAFIK 6000 are registered trademarks, and 2Link is a trademark of Lutron Electronics Co. Inc.  
© 2003 Lutron Electronics Co., Inc.

**LUTRON**®

Lutron Electronics Co., Inc.  
Made and printed in U.S.A. 3/03  
P/N 030-813 Rev. A