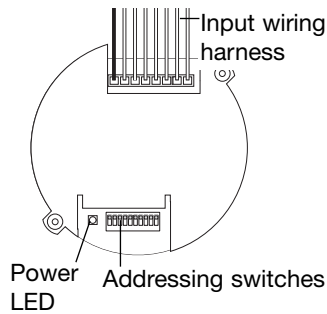


Overview

The OMX-WCI is for use with GRAFIK 5000/6000/7000 series systems. The OMX-WCI mounts behind the user-supplied switch to select or adjust scenes in up to eight control units. The interface provides from two to seven contact closure inputs.



- The OMX-WCI uses one address on the communication link.
- Can be custom-configured for other functions.



Caution: The OMX-WCI is *not* designed to work with the line/mains voltage switches. Use with line/mains voltage switches could result in premature failure of the switch being used.



Caution: Install in accordance with all local and national electric codes.

Description

- The OMX-WCI provides 7 control inputs to the Lutron lighting control system.
- The control inputs can be set up to simulate existing Lutron keypad functionality or custom-configured to project-specific requirements. Please contact Lutron for details.
- Provides 1-way interface between Lutron lighting system and an input switch.
- Mounts behind the user-supplied switch to control the Lutron lighting control system.
- Works with a PELV (Class 2: USA) low-voltage dry contact switch that meets the power requirements found in the Specifications section of this document.
- The power LED provides feedback:
 - Flashing indicates a miswire on the communication link or that the system processor is off-line.
 - When the nightlight option is set, the LED will be steadily lit when polled.
 - When the nightlight option bit is cleared, the LED will not be lit when polled.
- The recommended wallbox depth is 61 mm (2.5 in.). The wallbox depth requirements vary with the depth of the switch being used.

Specifications

Power

- Operating voltage: low-voltage PELV (Class 2: USA), 24 V $\overline{=}$.
- Input switch or dry contact switch closure must have solid-state outputs with an on-state saturation voltage less than 1 V $\overline{=}$ at 1 mA and an off-state leakage current of less than 1 mA. Outputs must be capable of switching operating voltage for desired life of system.
- If there is any question as to whether a switch is compatible with these specifications, contact the manufacturer of the switch.

Key Design Features

- Meets IEC 801-2. Tested to withstand 15 kV electrostatic discharge without damage or memory loss.

System Communications and Capacity

- PELV (Class 2: USA) low-voltage wiring connects wallstations to control units and other components.
- Link up to 32 wallstations, control units, and/or control interfaces per wiring link.

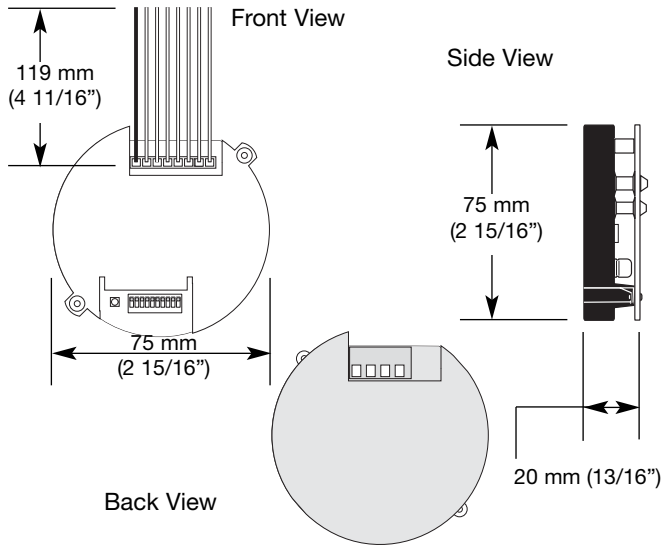
Terminals

- Capacity: Accept up to two 1.0 mm² (#18 AWG) wires typical.

Environment

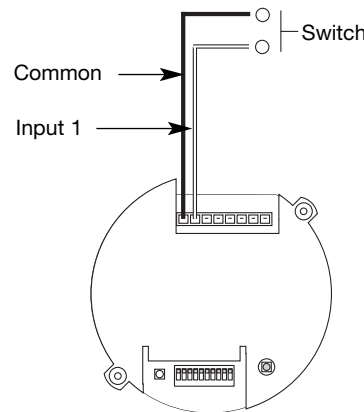
- Ambient operating temperature 0-40 °C (32-104 °F), 0-90% humidity, non-condensing. *Indoor use only.*

Dimensions



Contact Closure Wiring

- Connect the desired input(s) and common wires to the switch provided by others.
- Cap off unused input wires.



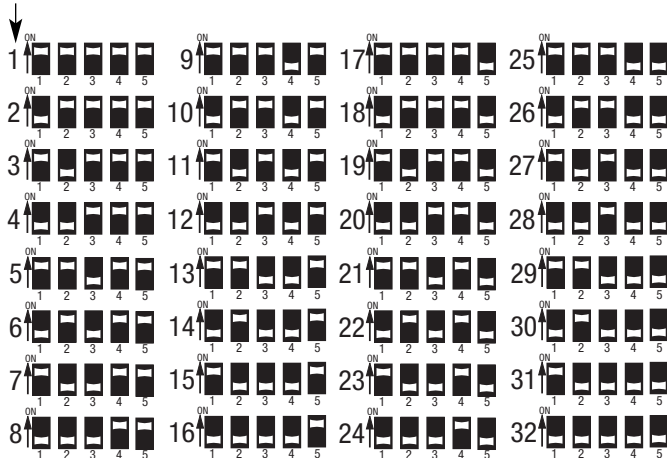
Wallstation Installation

DIP Switches

- Set Address Switches 1-5 to give the wallstation a unique system address from 1 to 32 (see chart).

OMX-WCI Addressing

ADDRESS

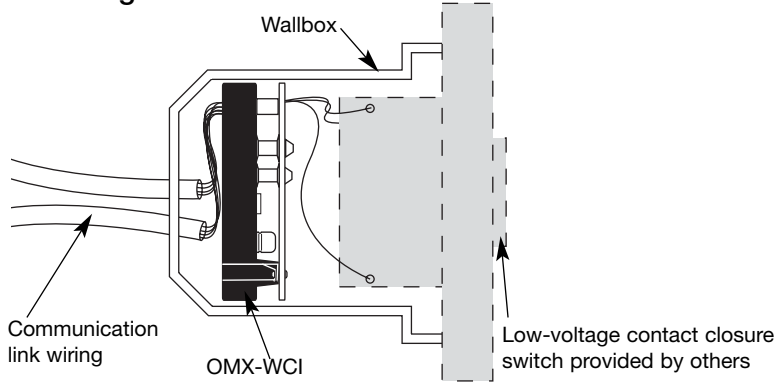


Low-Voltage PELV (Class 2: USA) Wiring

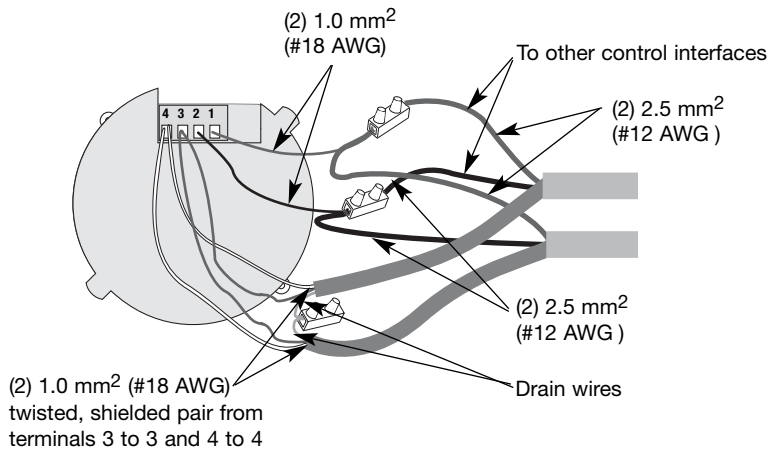
Use low-voltage PELV (Class 2: USA) wiring to daisy-chain the OMX-WCI to the processor panel.

- Use two 2.5 mm² (#12 AWG) conductors for common (terminal 1) and 24 V_{DC} (terminal 2). These will not fit into terminals; see opposite for connection details.
- Use one shielded, twisted pair 1.0 mm² (#18 AWG) wires for data link (terminals 3 and 4).
- Connect drain/shield as shown opposite.
 - Do not connect ground/earth to OMX-WCI.
 - Connect the bare drain wires and cut off the outside shield.
- Make connections inside the wallbox, in a switchbox, or in a junction box with a maximum wire length of 2.5 m (8 feet) from the link to the OMX-WCI.

Mounting



Wiring



Note: Use appropriate wire connecting devices as specified by local codes.

Internet: www.lutron.com
E-mail: product@lutron.com

WORLD HEADQUARTERS

Lutron Electronics Co., Inc.
7200 Suter Road, Coopersburg, PA 18036-1299
USA
TEL +1.610.282.3800
FAX +1.610.282.1243
Toll-Free 1.888.LUTRON1
Technical Support 1.800.523.9466

EUROPEAN HEADQUARTERS

Lutron EA Ltd.
6 Sovereign Close, London,
E1W 3JF United Kingdom
TEL +44.(0)20.7702.0657
FAX +44.(0)20.7480.6899
FREEPHONE (UK) 0800.282.107
Technical support +44.(0)20.7680.4481

WORLDWIDE OFFICES

Brazil

Lutron BZ do Brasil Ltda.
AV, Brasil, 239, Jardim America,
Sao Paulo-SP, CEP: 01431-000, Brasil
TEL +55.11.3885.5152
FAX +55.11.3887.7138

France

Lutron LTC, S.A.R.L.
90 rue de Villiers, 92300 Levallois-Perret France
TEL +33.(0)1.41.05.42.80
FAX +33.(0)1.41.05.01.80
FREEPHONE 0800.90.12.18

Germany

Lutron Electronics GmbH, Landsberger Allee 201, 13055
Berlin, Germany
TEL +49.(0)30.9710.4590
FAX +49.(0)30.9710.4591
FREEPHONE 00800.5887.6635

Italy

Lutron LDV, S.r.l.
FREEPHONE 800.979.208

Spain, Barcelona

Lutron CC, S.R.L.
Gran Via Carlos III, 84, planta 3a, 08028,
Barcelona, Spain
TEL +34.93.496.57.42
FAX +34.93.496.57.01
FREEPHONE 0900.948.944

Spain, Madrid

Lutron CC, S.R.L.
Calle Orense, 85, 28020 Madrid, Spain
TEL +34.91.567.84.79
FAX +34.91.567.84.78
FREEPHONE 0900.948.944

China, Beijing

Lutron GL Ltd. Beijing Representative Office
5th Floor, China Life Tower, No. 16 Chaowai Street,
Chaoyang District, Beijing 100020 China
TEL +86.10.5877.1818
FAX +86.10.5877.1816

China, Guangzhou

Lutron GL Ltd. Guangzhou Representative Office
Suite A09, 23/F Tower A, Centre Plaza,
161 Lin He Xi Lu, Tian He District, Guangzhou 510620
China
TEL +86.20.2885.8266
FAX +86.20.2885.8366

China, Shanghai

Lutron GL Ltd. Shanghai Representative Office
Suite 07, 39th Floor, Plaza 66,
1266 Nan Jing West Road, Shanghai, 200040 China
TEL +86.21.6288.1473
FAX +86.21.6288.1751

Hong Kong

Lutron GL Ltd.
Room 2808, 28/F, 248 Queen's Road East,
Wanchai, Hong Kong
TEL +852.2104.7733
FAX +852.2104.7633

Japan

Lutron Asuka Co. Ltd.
No. 16 Kowa Building, 4F, 1-9-20, Akasaka,
Minato-ku, Tokyo 107-0052 Japan
TEL +81.3.5575.8411
FAX +81.3.5575.8420

Singapore

Lutron GL Ltd.
15 Hoe Chiang Road, #07-03 Euro Asia Centre,
Singapore 089316
TEL +65.6220.4666
FAX +65.6220.4333

Asia Technical Hotlines

Northern China: 10.800.712.1536
Southern China: 10.800.120.1536
Hong Kong: 800.901.849
Singapore: 800.120.4491
Taiwan: 00.801.137.737
Thailand: 001.800.120.665853
Other Areas: +65.6220.4666

LIMITED WARRANTY

Lutron will, at its option, repair or replace any unit that is defective in materials or manufacture within one year after purchase. For warranty service, return unit to place of purchase or mail to Lutron at 7200 Suter Rd., Coopersburg, PA 18036-1299, postage pre-paid.

This warranty is in lieu of all other express warranties, and the implied warranty of merchantability is limited to one year from purchase. This warranty does not cover the cost of installation, removal or reinstallation, or damage resulting from misuse, abuse, or improper or incorrect repair, or damage from improper wiring or installation. This warranty does not cover incidental or consequential damages. Lutron's liability on any claim for damages arising out of or in connection with the manufacture, sale, installation, delivery, or use of the unit shall never exceed the purchase price of the unit.

This warranty gives you specific legal rights, and you may also have other rights which vary from state to state. Some states do not allow limitations on how long an implied warranty lasts, so the above limitation may not apply to you. Some states do not allow the exclusion or limitation of incidental or consequential damages, so the above limitation or exclusion may not apply to you.

Lutron, the sunburst logo, GRAFIK Eye, and GRAFIK 6000 are registered trademarks and GRAFIK systems, GRAFIK 5000, and GRAFIK 7000 are trademarks of Lutron Electronics Co., Inc.

© 2006 Lutron Electronics Co., Inc.

