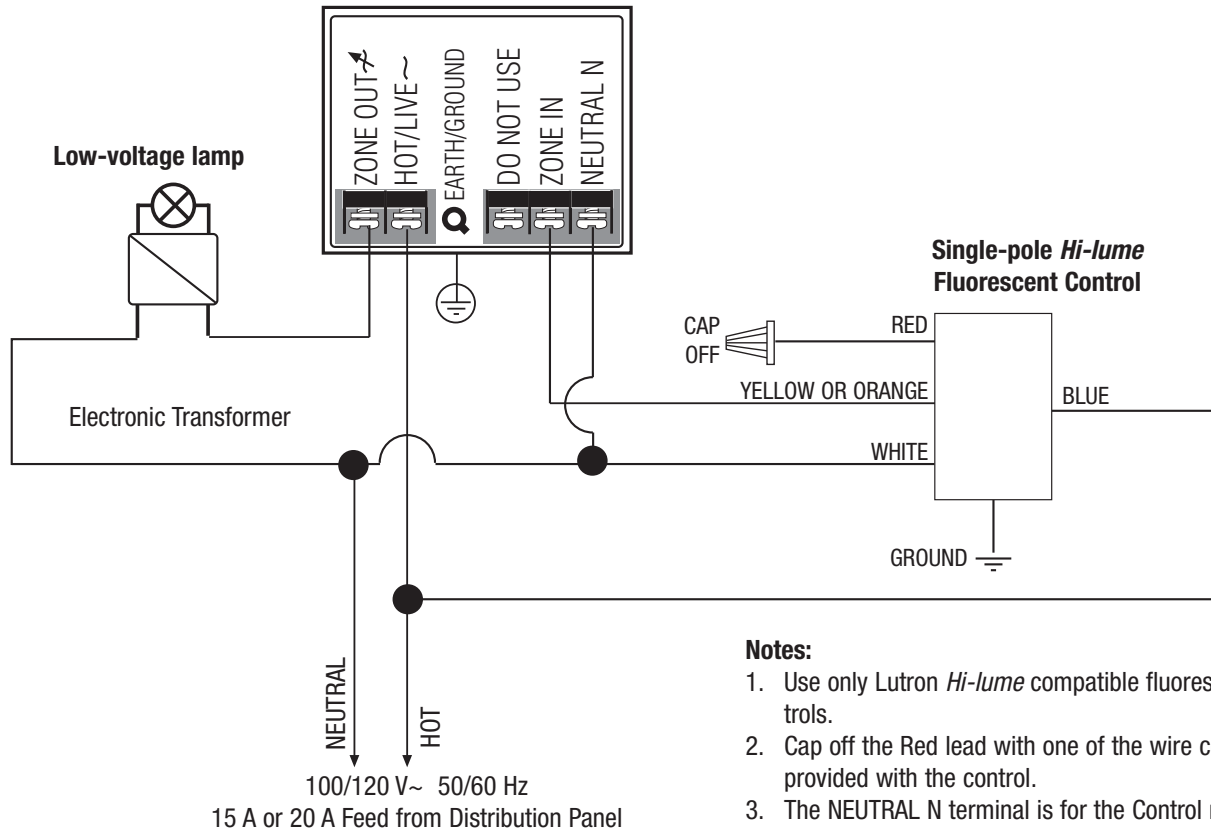


Wiring Addendum — Please Read

**Description**

This addendum provides wiring diagrams for using the ELVI-1000 with *Hi-lume*® fluorescent dimmers.

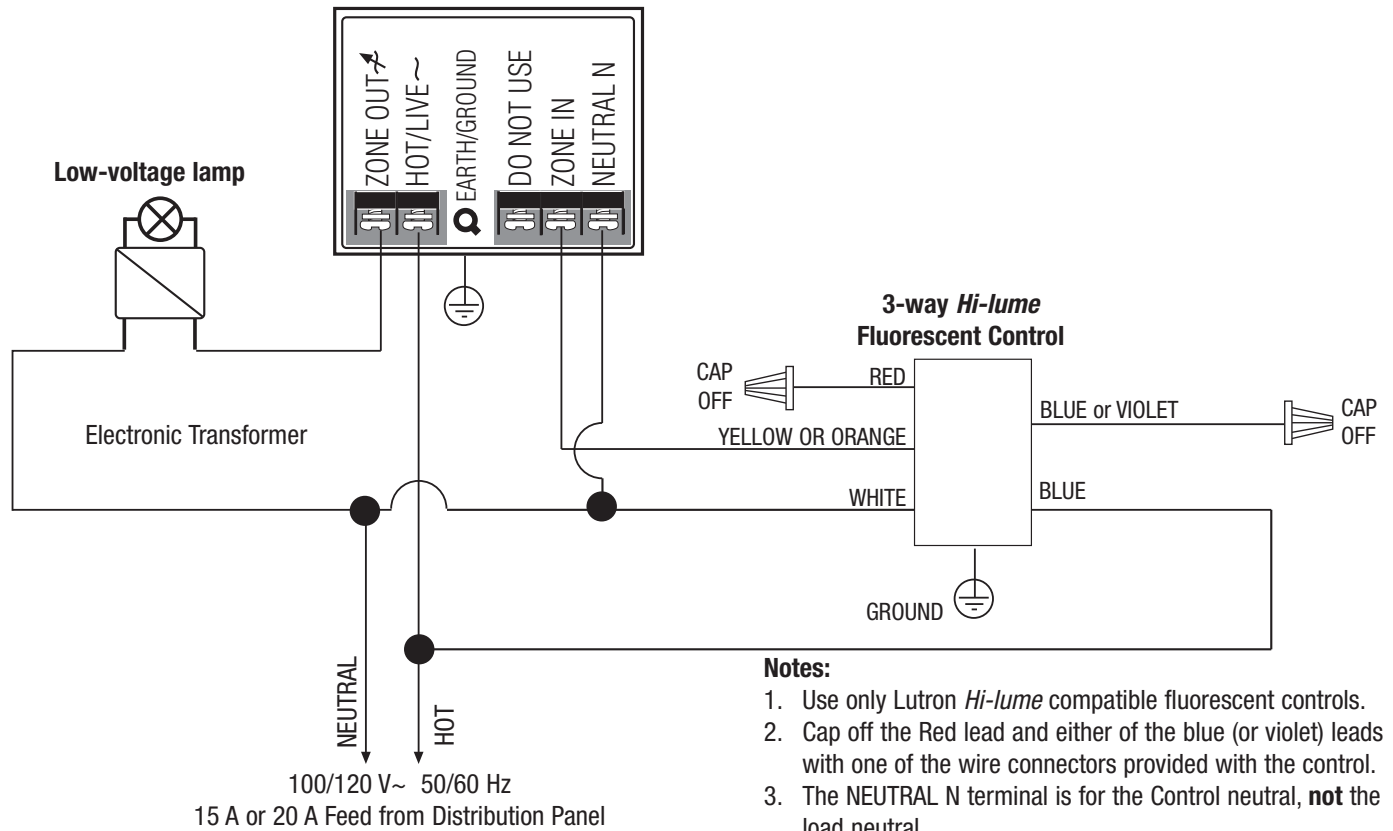
**Single-Pole *Hi-lume* Fluorescent Control**



**Notes:**

1. Use only Lutron *Hi-lume* compatible fluorescent controls.
2. Cap off the Red lead with one of the wire connectors provided with the control.
3. The NEUTRAL N terminal is for the Control neutral, **not** the load neutral.

## Single-Pole/3-way *Hi-lume* Fluorescent Control



## 3-way *Hi-lume* Fluorescent Control

