

# Power Pack

## Installation Instructions

For use with microOS™ Ceiling Mounted Occupant Sensor and 0-10 Volt Ballast Controls

**Model: PP-20**

Operating Voltage:  
120 or 277VAC

### Overview

The Lutron Power Pack (Diagram 1) is for use with Lutron microOS Ceiling Mounted Occupant Sensor and Lutron 0-10 Volt Ballast Controls. The Power Pack combines a Class 2, 15VDC power supply and a heavy duty Form A relay.

### Check the Application

The Power Pack can be used on either 120 or 277 VAC circuits. Do not exceed the following power ratings:

16A Lutron Ballast @ 120VAC

16A Lutron Ballast @ 277VAC

### For Applications with Lutron microOS Occupant Sensors

A single Power Pack can power up to five Lutron microOS Occupant Sensors (MOS-CM-15-WH). As many as ten Power Packs can be connected to one occupant sensor for switching multiple circuits.

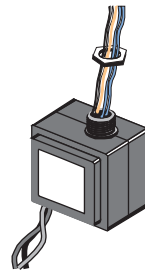
### For Applications with Lutron 0-10 Volt Ballast Controls

One 0-10 Volt Ballast Control can operate up to three Power Packs. However, one Power Pack can not be used with more than one 0-10 Volt Ballast Control.

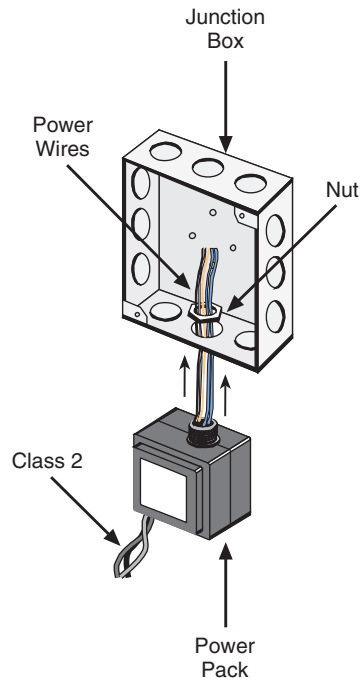
The 0-10 Volt wiring for this unit should not exceed 500 feet with No. 20 AWG wire. **Note:** For long 0-10 Volt wiring runs, or where excessive electrical noise exists, shielded cable or conduit is required.

### Mounting Instructions

The Power Pack is designed to be mounted in a 1/2-inch knockout of a standard junction box (supplied by others) as shown in Diagram 2. The line voltage connections to the power wires are made inside the junction box. The Class 2 wire connections must be made outside the junction box.



**Diagram 1: PP-20 Power Pack**



**Diagram 2: Mounting Arrangement for Power Pack**

# LUTRON®

Lutron is a registered trademark and microOS is a trademark of Lutron Electronics Co., Inc.  
© 1997 Lutron Electronics Co., Inc.

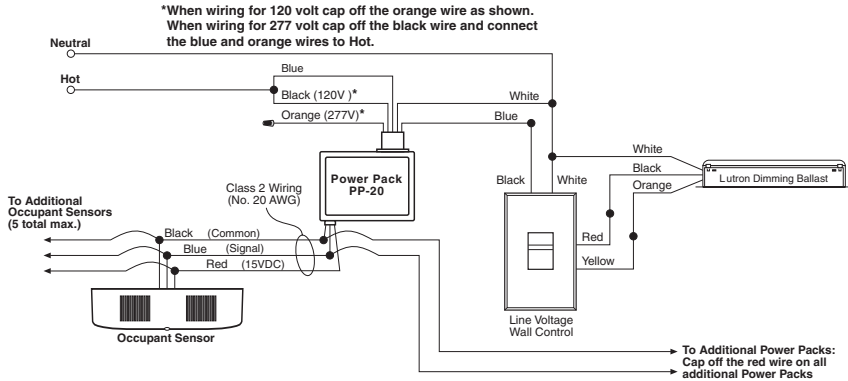
# Wiring Power Pack

Wiring the Power Pack depends on the application and the line voltage. Refer to the appropriate wiring diagram below.

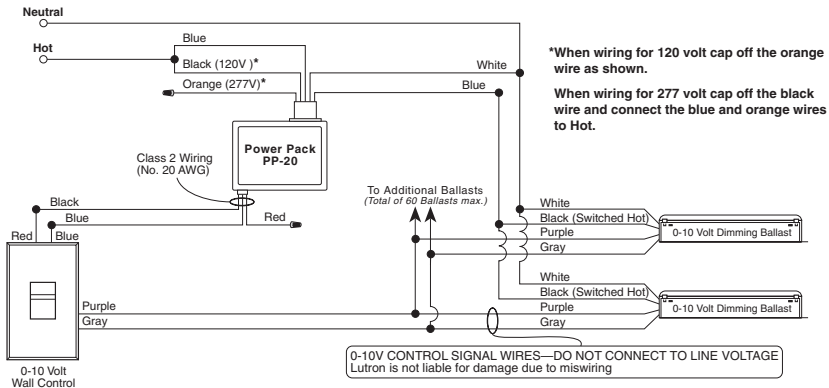


**Turn Power OFF Before Wiring. Do Not Wire Hot.**

**Danger:** Locate and lock the supply breaker in the OFF position, or remove the supply fuse before proceeding.



**Diagram 3: Wiring With Occupant Sensor**



**Diagram 4: Wiring With 0-10 Volt Ballast Control**

## Worldwide Technical and Sales Assistance

If you need assistance call the toll-free **Lutron Technical Assistance Hotline**. Please provide exact model number when calling. (800) 523-9466 (U.S.A., Canada, and the Caribbean) other areas, call (610) 282-3800 Fax (610) 282-3090

## Warranty

Lutron will, at its option, repair or replace any unit that is defective in materials or manufacture within three years after purchase. For warranty service, return unit to place of purchase or mail to LUTRON at 7200 Suter Road, Coopersburg, PA 18036-1299, U.S.A., postage prepaid. This warranty is in lieu of all other warranties, express or implied, and the implied warranty of merchantability is limited to three years from purchase. This warranty does not cover the cost of installation, removal, or reinstallation, or damage resulting from misuse, abuse, or damage resulting from improper wiring or installation. This warranty gives you specific legal rights, and you may also have other rights which vary from state to state. Some states do not allow the exclusion or limitation of incidental or consequential damages or limitations on how long an implied warranty may last, so the above limitations may not apply to you.

# LUTRON®

Lutron Electronics Co., Inc.  
7200 Suter Road  
Coopersburg, PA 18036-1299 U.S.A.  
Made and printed in U.S.A. 11/97 P/N 031-193 Rev. A