

FDI Interfaces

Installation Instructions

Please Leave for Occupant

FDI-INC-2000 **120VAC 50/60Hz**
For Incandescent and Magnetic Low-Voltage Loads

FDI-ELV-1000 **120VAC 50/60Hz**
For Electronic Low-Voltage Loads

FDI-FTU-16A-120 **120VAC 50/60Hz**
For Lutron Tu-Wire® Ballast Loads

Description

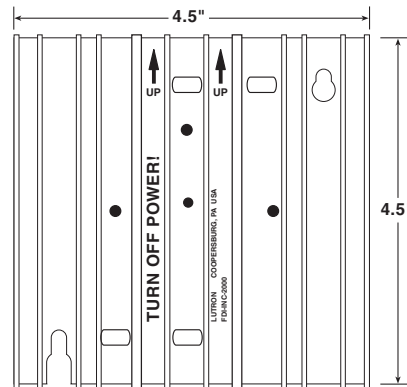
Fluorescent dimmer interfaces are used to convert a fluorescent phase control dimming signal into a dimmed hot output for incandescent, magnetic low-voltage, and Tu-Wire® ballast loads.

The FDI-INC-2000 is for use with 120V incandescent and magnetic low-voltage loads.

The FDI-ELV-1000 is for use with 120V electronic low-voltage loads.

The FDI-FTU-16A-120 is for use with Lutron 120V Tu-Wire® electronic dimming ballast loads.

The FDI Interfaces are for use with the following Lutron controller models only: RTA-RX-F-SC, RTA-RX-F, PN-IR, PN-IR-LP, MW-LC-2, DMW-LZC1 and DMW-LZC4.



Important Information



Warning: Always turn OFF the circuit breakers or remove the main fuses from the power line before doing any work. Failure to do so can result in serious personal injury. Disconnect all power sources before servicing unit.

1. This control must be installed by a qualified electrician.
2. Install in accordance with all applicable regulations.
3. Proper short-circuit and overload protection must be provided at the distribution panel.
4. Improper wiring can result in personal injury, damage to the control, or damage to other equipment.
5. This interface must be mounted with arrows facing upward to insure adequate cooling.

6. In magnetic low-voltage installations use **only** FDI-INC-2000 with iron core transformer low-voltage incandescent fixtures.
7. In electronic low-voltage installations use **only** FDI-ELV-1000 with solid state electronic low-voltage transformers that are manufacturer approved to be dimmed by reverse phase control.
8. CAUTION- Dimmed low-voltage transformers: To avoid excessively high current flow that can cause transformer overheating and failure, observe the following:
 - (a) Do not operate the unit with all of the lamps removed or with any lamps inoperative.
 - (b) Replace any burned out lamps immediately.
 - (c) Use only transformers which incorporate thermal protection or fused primary windings.
9. The FDI-ELV-1000 contains a thermal device that turns off the interface if overloaded. The interface will turn on when it cools.

Installation & Operation

New Installations:

Check each zone for shorts or open circuits. Turn power OFF. Connect a standard switch between the live lead and a zone's load wire, then turn power on. If the load does not operate, the circuit is open. If the circuit breaker trips (fuse blows), the circuit is shorted. Correct any open or shorted condition and test again before proceeding.

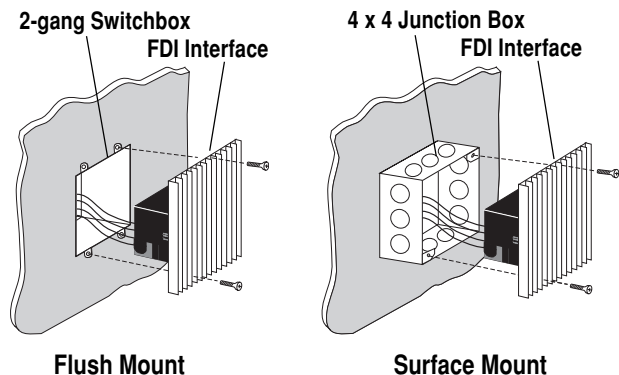
1. Turn supply power OFF to the dimming controller and the feed to the FDI Interface.
2. Strip 1/2" of insulation from wires as shown:



3. Wire as shown in appropriate Wiring Diagram on reverse of this sheet. Each terminal will accept up to two wires (#12 to #18AWG). Use 75°C copper (CU) wire only. Tighten terminals to 9 in-lbs of torque.

4. Confirm all connections and mount unit using the screws provided as illustrated in the Mounting Diagram.
5. Restore power to the system. Operate the system according to the installation guide supplied with your controller.

Mounting Diagram



LUTRON®

This product may be protected by one or more of the following U.S. patents: 4,797,599; 4,803,380; 4,893,062; DES 311,170; DES 311,382; DES 311,485; DES 311,678; DES 313,738; DES 335,867; and corresponding foreign patents. U.S. and foreign patents pending. Lutron, microWATT, PerSONNA, and Tu-Wire are registered trademarks and RadioTouch is a trademark of Lutron Electronics Co., Inc. © 2002 Lutron Electronics Co., Inc.

Wiring Diagrams

Figure 1 – Wiring the FDI Interface with RadioTouch™ Controller models RTA-RX-F or RTA-RX-F-SC

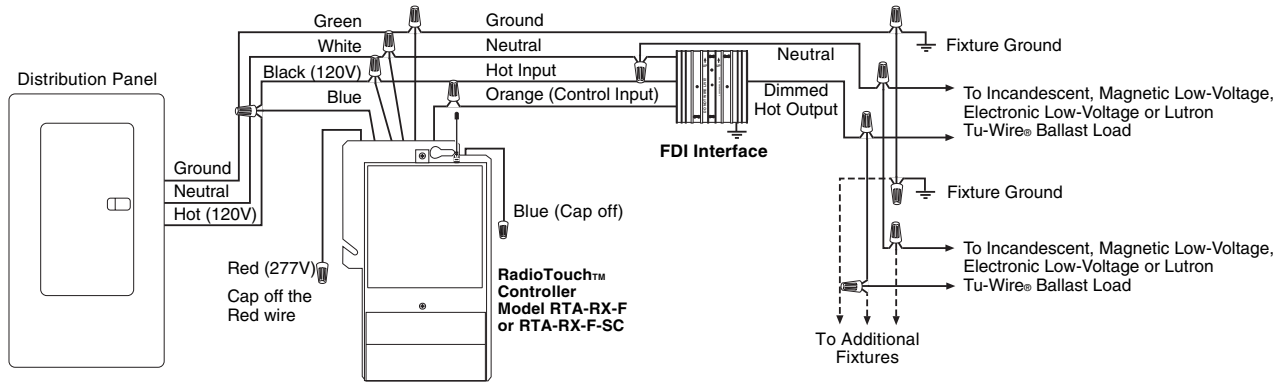


Figure 2 – Wiring the FDI Interface with microWATT® Controller models MW-LC-2, DMW-LZC1 or DMW-LZC4

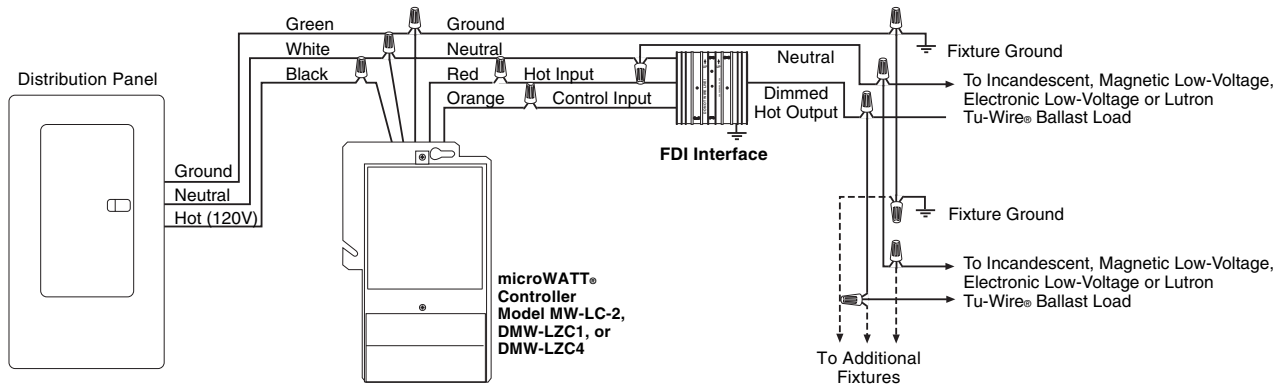
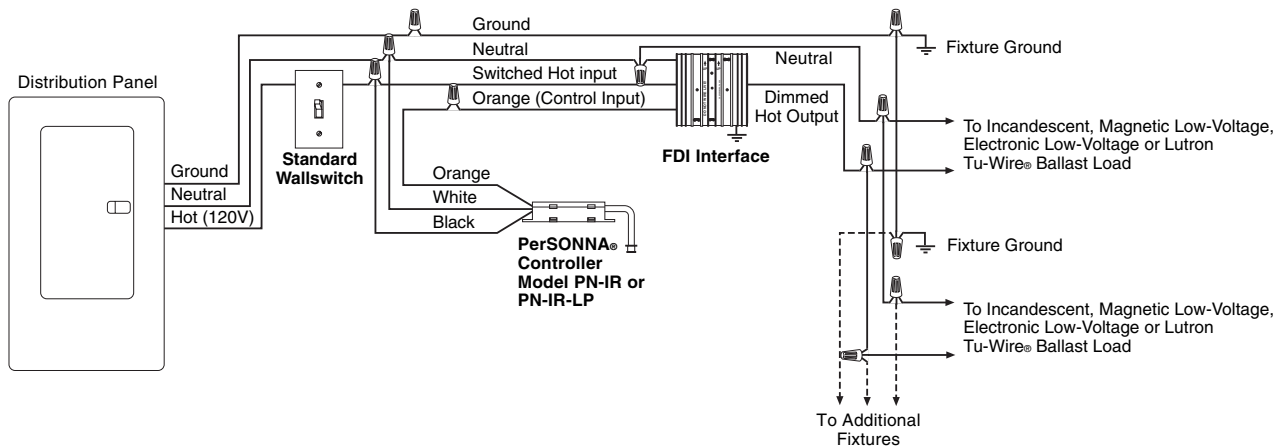


Figure 3 – Wiring the FDI Interface with PerSONNA® Controller models PN-IR or PN-IR-LP



Worldwide Technical and Sales Assistance

If you have questions concerning the installation or operation of this product, call the **Lutron Technical Support Center**. Please provide exact model number when calling. (800) 523-9466 (U.S.A., Canada, and the Caribbean) Other countries call (610) 282-3800 Fax (610) 282-3090 Visit our web site at www.lutron.com

Limited Warranty

Lutron will, at its option, repair or replace any unit that is defective in materials or manufacture within one year after purchase. For warranty service, return unit to place of purchase or mail to Lutron at 7200 Suter Rd., Coopersburg, PA 18036-1299, postage pre-paid. **THIS WARRANTY IS IN LIEU OF ALL OTHER EXPRESS WARRANTIES, AND THE IMPLIED WARRANTY OF MERCHANTABILITY IS LIMITED TO ONE YEAR FROM PURCHASE. THIS WARRANTY DOES NOT COVER THE COST OF INSTALLATION, REMOVAL OR REINSTALLATION, OR DAMAGE RESULTING FROM MISUSE, ABUSE, OR DAMAGE FROM IMPROPER WIRING OR INSTALLATION. THIS WARRANTY DOES NOT COVER INCIDENTAL OR CONSEQUENTIAL DAMAGES. LUTRON'S LIABILITY ON ANY CLAIM FOR DAMAGES ARISING OUT OF OR IN CONNECTION WITH THE MANUFACTURE, SALE, INSTALLATION, DELIVERY, OR USE OF THE UNIT SHALL NEVER EXCEED THE PURCHASE PRICE OF THE UNIT.** This warranty gives you specific legal rights, and you may have other rights which vary from state to state. Some states do not allow the exclusion or limitation of incidental or consequential damages, or limitation on how long an implied warranty may last, so the above limitations may not apply to you.

LUTRON®

Lutron Electronics Co., Inc.
7200 Suter Road
Coopersburg, PA 18036-1299 U.S.A.
Made and printed in U.S.A. 5/02 P/N 031-202 Rev. B