



Switch Closure Interfaces Installation Instructions

RTA-MO-MA-SCI

Momentary to Maintained

RTA-MO-TG-SCI

Momentary to Toggle

RTA-MA-24VDC-SCI

24 V $\overline{=}$ to Maintained

Please Read

Description

The RadioTouch™ switch closure interfaces are for use with RadioTouch radio frequency controllers. The switch closure interfaces are PELV (Class 2: USA) low-voltage devices.



Danger! The *RadioTouch* switch closure interfaces are PELV (Class 2: USA) devices. Do not connect line voltage power to the switch closure interfaces. Connecting line voltage power or improper wiring can result in personal injury or damage to the control or to other equipment. All external control equipment must maintain PELV (Class 2: USA) isolation.

Types of Interfaces

There are three different models of the *RadioTouch* switch closure interface: RTA-MO-MA-SCI, RTA-MO-TG-SCI, and RTA-MA-24VDC-SCI.

- The **RTA-MO-MA-SCI** is a momentary to maintained switch closure interface. This control can receive two momentary switch closure inputs from the *RadioTouch* controller. This interface transforms a momentary switch closure input into a maintained low-voltage switch closure output. Upon receiving a momentary low-voltage switch closure input from the first switch closure the interface closes an internal switch, thus producing a maintained closure to the attached equipment. Upon receiving a momentary switch closure input from the second switch closure the interface opens the internal switch, thus breaking the circuit controlling the attached equipment. This technology can provide two button on/off or up/down control to a variety of electronic devices (see Figure 1).
- The **RTA-MO-TG-SCI** is a momentary to toggle function switch closure interface. This control can receive a single momentary switch closure input from the *RadioTouch* controller. Upon receiving the input, the interface toggles the internal low-voltage switch to its opposite state, thus completing or breaking the circuit controlling the attached device. This technology can provide single button on/off or up/down control to a variety of electronic devices (see Figure 2).
- The **RTA-MA-24VDC-SCI** is a maintained switch closure interface when 24 V $\overline{\text{DC}}$ is applied to it. This control is used to set up backup/emergency lighting using at least two *RadioTouch* controllers in an application where backup/emergency lighting is desired and there is a backup/emergency power source. In each room there will have to be a designated fixture(s) with a *RadioTouch* controller powered from normal power (Unit A) and a designated fixture(s) controlled by one *RadioTouch* controller connected to the backup/emergency power source. The *RadioTouch* controller that is connected to the backup power will be designated as the backup/emergency controller (Unit B) and the lights connected to it will be the backup/emergency lights for that area. The backup/emergency controller must have DIP switch number 2 in the down position and cannot have an occupant sensor connected to it in the standard manner (see Figure 3). For more information on indirectly controlling a backup/emergency controller with an occupant sensor, see application note #137 at www.lutron.com. The RTA-MA-24VDC-SCI will be wired between one of the *RadioTouch* controllers in the area and the backup/emergency powered *RadioTouch* controller(s). The *RadioTouch* controller that is connected to normal power and is providing power to the RTA-MA-24VDC-SCI will not be able to power any occupant sensors. This unit's power supply is derated to 15 mA which will allow one daylight sensor to be connected (see Figure 4).

Mounting Instructions

The switch closure interface is encased in a steel housing equipped with four mounting holes. The device can be mounted indoors on any available flat surface using appropriate hardware. All wire connections are PELV (Class 2: USA) low-voltage. Install in accordance with all local and national electrical codes.

Wiring the Switch Closure Interface

Figure 1: Wiring the RTA-MO-MA-SCI

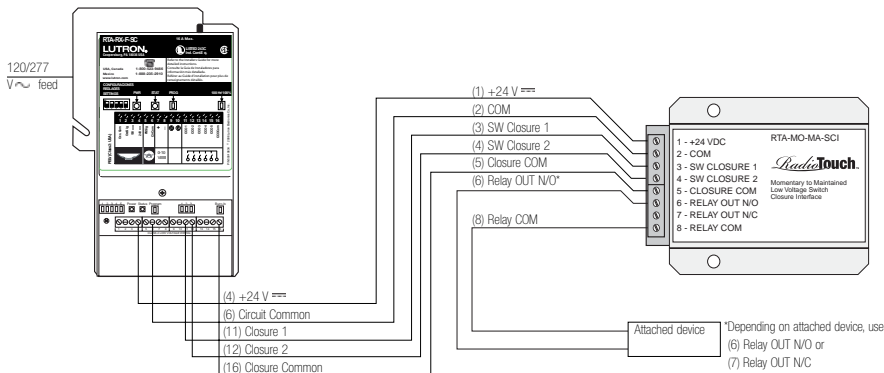
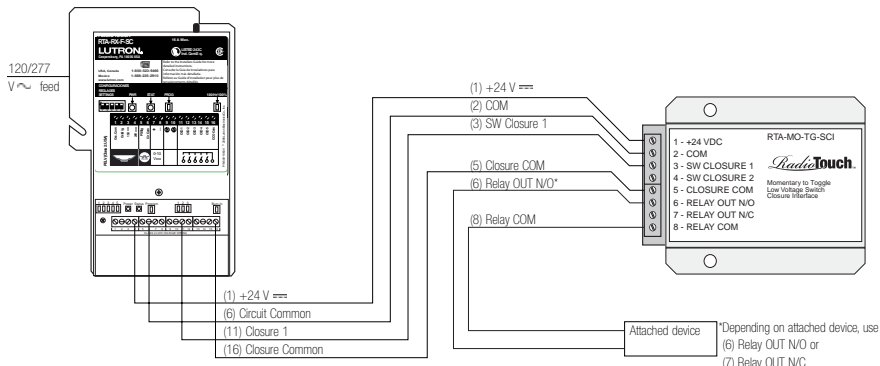


Figure 2: Wiring the RTA-MO-TG-SCI

Note: Only one RTA-MO-TG-SCI can be used per RTA-RX-F-SC unit. In cases when multiple RTA-RX-F-SC / RTA-MO-TG-SCI systems are addressed to the same column of buttons on a *RadioTouch* tabletop transmitter, a different switch closure terminal should be used on each RTA-RX-F-SC unit.



Wiring an additional RTA-MO-MA-SCI

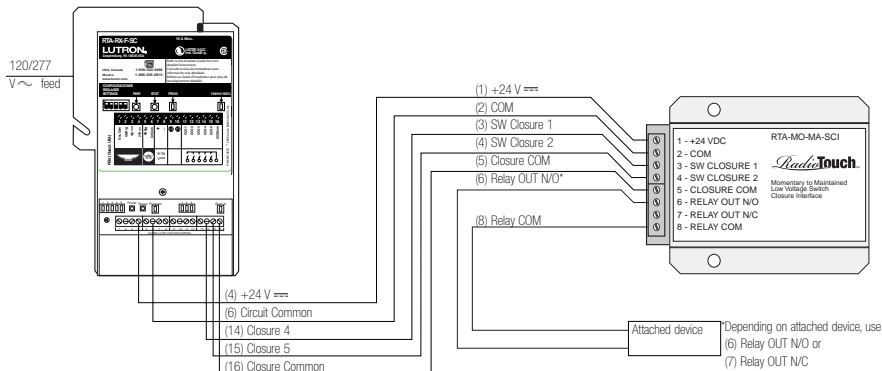
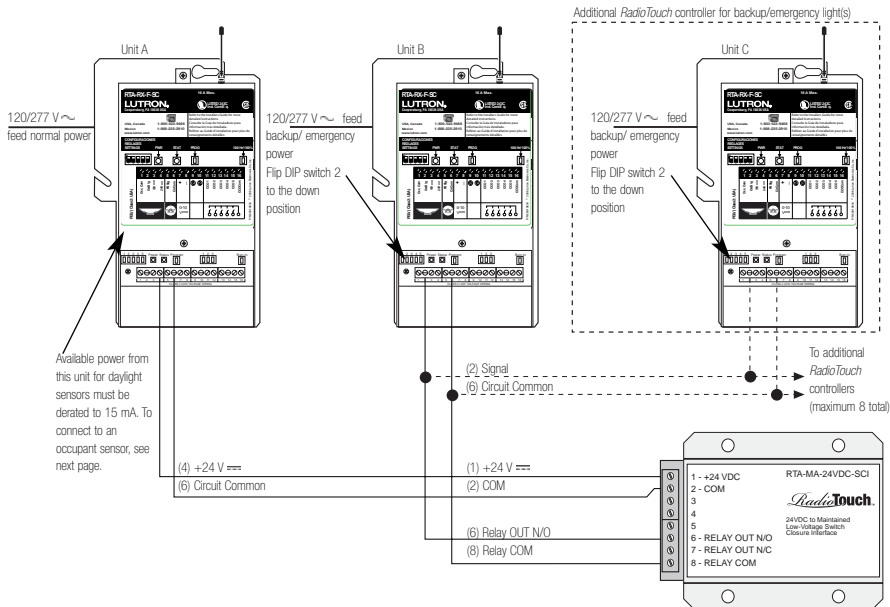


Figure 3: Wiring for Backup/Emergency Lighting: RTA-MA-24VDC-SCI

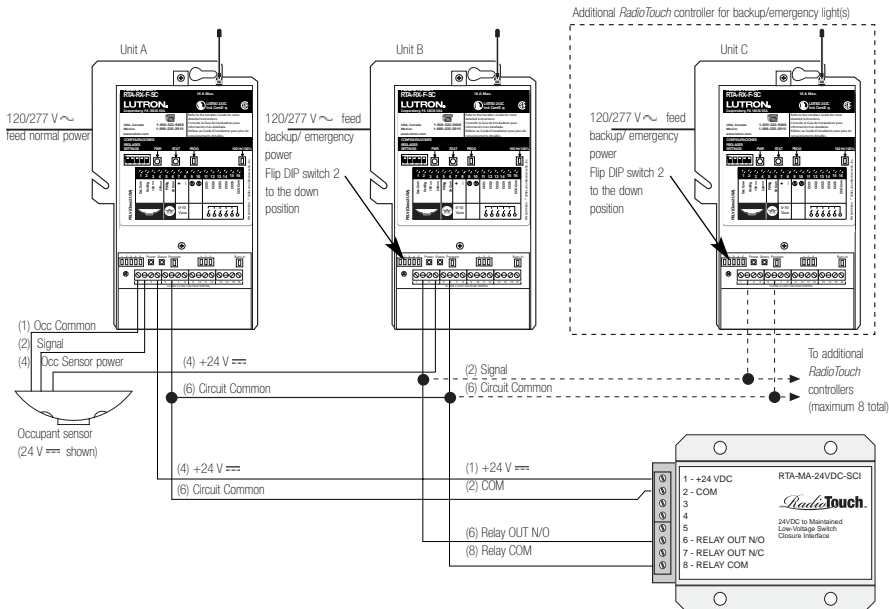
Note: When wiring for a backup/emergency source of power, the RTA-RX-F, RTA-RX-F-SC, or RTA-RX-SW unit being used for the backup/emergency lights (Unit B) cannot be directly controlled by an occupant sensor (see application note #137 at www.lutron.com for ways to control *RadioTouch* controllers in emergency mode with RTA-SCI and LOS-CDT-X000R). DIP switch #2 on Units B and C must be in the down position. The output of the RTA-MA-24VDC-SCI terminals #7 and #8 can be wired in parallel to other emergency powered *RadioTouch* controllers (maximum 8).



Note: If your RTA-RX-F, RTA-RX-F-SC, or RTA-RX-SW was shipped before August 1, 2002, please contact Lutron Technical Support at 1-800-523-9466 before connecting your RTA-MA-24VDC-SCI.

Figure 4: Wiring for Backup/Emergency Lighting with Occupant Sensor: RTA-MA-24VDC-SCI

Note: When wiring for a backup/emergency source of power, the RTA-RX-F, RTA-RX-F-SC, or RTA-RX-SW unit being used for the backup/emergency lights (Unit B) cannot be directly controlled by an occupant sensor (see application note #137 at www.lutron.com for ways to control *RadioTouch* controllers in emergency mode with RTA-SCI and LOS-CDT-X000R). DIP switch #2 on Units B and C must be in the down position. The output of the RTA-MA-24VDC-SCI terminals #7 and #8 can be wired in parallel to other emergency powered *RadioTouch* controllers (maximum 8).



Note: If your RTA-RX-F, RTA-RX-F-SC, or RTA-RX-SW was shipped before August 1, 2002, please contact Lutron Technical Support at 1-800-523-9466 before connecting your RTA-MA-24VDC-SCI.

Lutron Electronics Co., Inc.
One Year Limited Warranty

For a period of one year from the date of purchase, and subject to the exclusions and restrictions described below, Lutron warrants each new unit to be free from manufacturing defects. Lutron will, at its option, either repair the defective unit or issue a credit equal to the purchase price of the defective unit to the Customer against the purchase price of comparable replacement part purchased from Lutron. Replacements for the unit provided by Lutron or, at its sole discretion, an approved vendor may be new, used, repaired, reconditioned, and/or made by a different manufacturer.

If the unit is commissioned by Lutron or a Lutron approved third party as part of a Lutron commissioned lighting control system, the term of this warranty will be extended, and any credits against the cost of replacement parts will be prorated, in accordance with the warranty issued with the commissioned system, except that the term of the unit's warranty term will be measured from the date of its commissioning.

EXCLUSIONS AND RESTRICTIONS

This Warranty does not cover, and Lutron and its suppliers are not responsible for:

1. Damage, malfunction or inoperability diagnosed by Lutron or a Lutron approved third party as caused by normal wear and tear, abuse, misuse, incorrect installation, neglect, accident, interference or environmental factors, such as (a) use of incorrect line voltages, fuses or circuit breakers; (b) failure to install, maintain and operate the unit pursuant to the operating instructions provided by Lutron and the applicable provisions of the National Electrical Code and of the Safety Standards of Underwriter's Laboratories; (c) use of incompatible devices or accessories; (d) improper or insufficient ventilation; (e) unauthorized repairs or adjustments; (f) vandalism; or (g) an act of God, such as fire, lightning, flooding, tornado, earthquake, hurricane or other problems beyond Lutron's control.
2. On-site labor costs to diagnose issues with, and to remove, repair, replace, adjust, reinstall and/or reprogram the unit or any of its components.
3. Equipment and parts external to the unit, including those sold or supplied by Lutron (which may be covered by a separate warranty).
4. The cost of repairing or replacing other property that is damaged when the unit does not work properly, even if the damage was caused by the unit.

EXCEPT AS EXPRESSLY PROVIDED IN THIS WARRANTY, THERE ARE NO EXPRESS OR IMPLIED WARRANTIES OF ANY TYPE, INCLUDING ANY IMPLIED WARRANTIES OF FITNESS FOR A PARTICULAR PURPOSE OR MERCHANTABILITY. LUTRON DOES NOT WARRANT THAT THE UNIT WILL OPERATE WITHOUT INTERRUPTION OR BE ERROR FREE.

NO LUTRON AGENT, EMPLOYEE OR REPRESENTATIVE HAS ANY AUTHORITY TO BIND LUTRON TO ANY AFFIRMATION, REPRESENTATION OR WARRANTY CONCERNING THE UNIT. UNLESS AN AFFIRMATION, REPRESENTATION OR WARRANTY MADE BY AN AGENT, EMPLOYEE OR REPRESENTATIVE IS SPECIFICALLY INCLUDED HEREIN, OR IN STANDARD PRINTED MATERIALS PROVIDED BY LUTRON, IT DOES NOT FORM A PART OF THE BASIS OF ANY BARGAIN BETWEEN LUTRON AND CUSTOMER AND WILL NOT IN ANY WAY BE ENFORCEABLE BY CUSTOMER.

IN NO EVENT WILL LUTRON OR ANY OTHER PARTY BE LIABLE FOR EXEMPLARY, CONSEQUENTIAL, INCIDENTAL OR SPECIAL DAMAGES (INCLUDING, BUT NOT LIMITED TO, DAMAGES FOR LOSS OF PROFITS, CONFIDENTIAL OR OTHER INFORMATION, OR PRIVACY; BUSINESS INTERRUPTION; PERSONAL INJURY; FAILURE TO MEET ANY DUTY, INCLUDING OF GOOD FAITH OR OF REASONABLE CARE, NEGLIGENCE, OR ANY OTHER PECUNIARY OR OTHER LOSS WHATSOEVER), NOR FOR ANY REPAIR WORK UNDERTAKEN WITHOUT LUTRON'S WRITTEN CONSENT ARISING OUT OF OR IN ANY WAY RELATED TO THE INSTALLATION, DEINSTALLATION, USE OF OR INABILITY TO USE THE UNIT OR OTHERWISE UNDER OR IN CONNECTION WITH ANY PROVISION OF THIS WARRANTY, OR ANY AGREEMENT INCORPORATING THIS WARRANTY, EVEN IN THE EVENT OF THE FAULT, TORT (INCLUDING NEGLIGENCE), STRICT LIABILITY, BREACH OF CONTRACT OR BREACH OF WARRANTY OF LUTRON OR ANY SUPPLIER, AND EVEN IF LUTRON OR ANY OTHER PARTY WAS ADVISED OF THE POSSIBILITY OF SUCH DAMAGES.

NOTWITHSTANDING ANY DAMAGES THAT CUSTOMER MIGHT INCUR FOR ANY REASON WHATSOEVER (INCLUDING, WITHOUT LIMITATION, ALL DIRECT DAMAGES AND ALL DAMAGES LISTED ABOVE), THE ENTIRE LIABILITY OF LUTRON AND OF ALL OTHER PARTIES UNDER THIS WARRANTY ON ANY CLAIM FOR DAMAGES ARISING OUT OF OR IN CONNECTION WITH THE MANUFACTURE, SALE, INSTALLATION, DELIVERY, USE, REPAIR, OR REPLACEMENT OF THE UNIT, OR ANY AGREEMENT INCORPORATING THIS WARRANTY, AND CUSTOMER'S SOLE REMEDY FOR THE FOREGOING, WILL BE LIMITED TO THE AMOUNT PAID TO LUTRON BY CUSTOMER FOR THE UNIT. THE FOREGOING LIMITATIONS, EXCLUSIONS AND DISCLAIMERS WILL APPLY TO THE MAXIMUM EXTENT ALLOWED BY APPLICABLE LAW, EVEN IF ANY REMEDY FAILS ITS ESSENTIAL PURPOSE.

TO MAKE A WARRANTY CLAIM

To make a warranty claim, promptly notify Lutron within the warranty period described above by calling the Lutron Technical Support Center at (800) 523-9466. Lutron, in its sole discretion, will determine what action, if any, is required under this warranty. To better enable Lutron to address a warranty claim, have the unit's serial and modal numbers available when making the call. If Lutron, in its sole discretion, determines that an on-site visit or other remedial action is necessary, Lutron may send a Lutron Services Co. representative or coordinate the dispatch of a representative from a Lutron approved vendor to Customer's site, and/or coordinate a warranty service call between Customer and a Lutron approved vendor.

This warranty gives you specific legal rights, and you may also have other rights which vary from state to state. Some states do not allow limitations on how long an implied warranty lasts, so the above limitation may not apply to you. Some states do not allow the exclusion or limitation of incidental or consequential damages, so the above limitation or exclusion may not apply to you.

These products may be covered under one or more of the following U.S. patents: 5,357,170; and corresponding foreign patents: U.S. and foreign patents pending.

Lutron and the sunburst logo are registered trademarks; and RadioTouch and Sivoia are trademarks of Lutron Electronics Co., Inc.

© 2007 Lutron Electronics Co., Inc.

Contact and Warranty Information

Internet: www.lutron.com
E-mail: product@lutron.com

WORLD HEADQUARTERS

Lutron Electronics Co., Inc.
7200 Suter Road, Coopersburg, PA
18036-1299 USA
TEL +1.610.282.3800
FAX +1.610.282.1243
Technical Support 1.800.523.9466
Toll-Free 1.888.LUTRON1

Brazil

Lutron BZ do Brasil, Ltda.
Avenida Brasil, 239, Jardim America,
Sao Paulo-SP, CEP: 01431-001, Brasil
TEL +55.11.3885.5152
FAX +55.11.3887.7138

Technical Support

USA, Canada, Caribbean: 1.800.523.9466
Mexico: +1.888.235.2910
Central/South America: +1.610.282.6701

EUROPEAN HEADQUARTERS

United Kingdom

Lutron EA Ltd.
6 Sovereign Close, London, E1W 3JF UK
TEL +44.(0)20.7702.0657
FAX +44.(0)20.7480.6899
Technical support +44.(0)20.7680.4481
FREEPHONE 0800.282.107

France

Lutron LTC, S.A.R.L.
90 rue de Villiers, 92300 Levallois-Perret
France
TEL +33.(0)1.41.05.42.80
FAX +33.(0)1.41.05.01.80
FREEPHONE 0800.90.12.18

Germany

Lutron Electronics GmbH,
Landsberger Allee 201,
13055 Berlin, Germany
TEL +49.(0)30.9710.4590
FAX +49.(0)30.9710.4591
FREEPHONE 00800.5887.6635

Italy

Lutron LDV, S.r.l.
FREEPHONE 800.979.208

Spain, Barcelona

Lutron CC, S.R.L.
Gran Via del Carlos III, 84, planta 3ª
08028 Barcelona, Spain
TEL +34.93.496.57.42
FAX +34.93.496.57.01
FREEPHONE 0900.948.944

Spain, Madrid

Lutron CC, S.R.L.
Calle Orense, 85, 28020 Madrid, Spain
TEL +34.91.567.84.79
FAX +34.91.567.84.78
FREEPHONE 0900.948.944

ASIAN HEADQUARTERS

Singapore

Lutron GL Ltd.
15 Hoe Chiang Road,
#07-03 Euro Asia Centre,
Singapore 089316
TEL +65.6220.4666
FAX +65.6220.4333

China, Beijing

Lutron GL Ltd.
Beijing Representative Office
5th Floor, China Life Tower,
No. 16 Chaowai Street,
Chaoyang District, Beijing 100020 China
TEL +86.10.5877.1817
FAX +86.10.5877.1816

China, Guangzhou

Lutron GL Ltd.
Guangzhou Representative Office
Suite A09, 23/F Tower A, Center Plaza,
161 LinHeXILu, Tian He District,
Guangzhou 510620 China
TEL +86.20.2885.8266
FAX +86.20.2885.8366

China, Shanghai

Lutron GL Ltd.
Suite 07, 39th Floor, Plaza 66,
1266 Nan Jing West Road,
Shanghai, 200040 China
TEL +86.21.6288.1473
FAX +86.21.6288.1751

Hong Kong

Lutron GL Ltd.
Unit 2808, 28/F, 248 Queen's Road East,
Wanchai, Hong Kong
TEL +852.2104.7733
FAX +852.2104.7633

Japan

Lutron Asuka Co., Ltd.
No. 16 Kowa Building, 4F,
1-9-20, Akasaka, Minato-ku,
Tokyo 107-0052 Japan
TEL +81.3.5575.8411
FAX +81.3.5575.8420

Asia Technical Hotlines

Northern China: 10.800.712.1536
Southern China: 10.800.120.1536
Hong Kong: 800.901.849
Indonesia: 001.803.011.3994
Japan: +81.3.5575.8411
Macau: 0800.401
Singapore: 800.120.4491
Taiwan: 00.801.137.737
Thailand: 001.800.120.665853
Other Areas: +65.6220.4666

