

OCCUPANT SENSOR LOS-SIR SERIES

Installation Instructions

Please Read

LOS-SIR
LOS-SIR-M
LOS-SIR-HD
LOS-S2IR-HD

DESCRIPTION

The LOS-SIR Series of infrared wall switch sensors offer a direct and quick replacement of wall switches for stand-alone 120/277 V \sim line voltage switching in small spaces. They are shipped with mounting screws and matching wallplate and wallplate screws (except HD versions, where they are not needed).

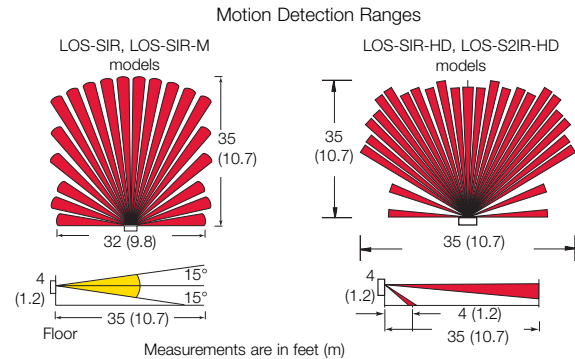
FEATURES

- 30 seconds to 30 minutes time delay
- No minimum load requirement
- Maximum load limits:
120 V \sim : 1000 W ballast, 800 W incandescent, 1/6 HP motor
277 V \sim : 1800 W ballast
- Range:
LOS-SIR, LOS-SIR-M: 900 sq.ft.
LOS-SIR-HD, LOS-S2IR-HD: 1000 sq.ft.

COVERAGE AND PLACEMENT

Passive infrared (IR) sensors are activated by changes in IR temperature in the coverage area. The product must be installed in the line-of-sight of the occupant. The sensor should **not** be installed:

- Where view of the occupant is obstructed
- In view of open doorways where hallway traffic may be detected and accidentally activate lights
- In view of direct sunlight or strong reflected light sources
- Above baseboard heaters or near forced air ducts
- Outdoors, in the rain, or near a shower/steam source (for indoor use only)



PRE-INSTALLATION

1. For installation by a qualified electrician in accordance with national and local codes and the following instructions.
2. For indoor use only.
3. **CAUTION: RISK OF ELECTRIC SHOCK. Disconnect power before installing. Never wire energized electrical components.**
4. **CAUTION: USE COPPER CONDUCTORS ONLY.**
5. Check to see that the device type and rating is suitable for the application.
6. Do not install if product or lens have any visible damage.
7. If moisture or condensation is evident, allow the product to dry completely before installation.

INSTALLATION

Mounts as a direct replacement for a standard wall switch.

1. **Warning: Turn power OFF at circuit breaker or remove fuse.**
2. Remove old switch (if applicable).
3. Wire the switch by referring to the appropriate Wiring Diagram, making sure to connect ground.
4. Mount and align switch. Replace wallplate.
5. Turn power ON.

ADJUSTMENTS

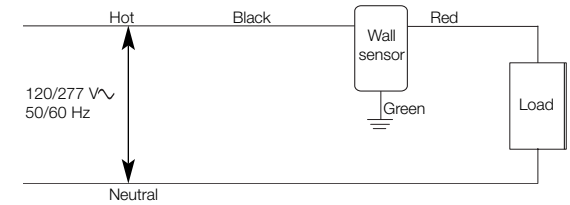
1. Remove the cover located between the sensor lens and the push button.
For HD models, the cover is at the top of the switch; slide it upward to remove.
2. Time Delay: Adjust the time delay to avoid "false off" or to avoid cycling lights too rapidly. Turn the adjustment on the left (labeled "T") counterclockwise to decrease delay (min. 30 sec.); clockwise to increase delay. Turning fully clockwise puts unit into bypass, which keeps the lights on regardless of occupancy conditions.
3. Sensitivity: Adjust the sensitivity to avoid unwanted detection, such as hallway traffic or adjacent movement. Turn the adjustment in the center ("S") counterclockwise to decrease sensitivity; clockwise to increase sensitivity.
4. Photo Cell: The photo cell is used to detect if other light sources, such as sunlight, are enough to illuminate the space without turning on the lights. If use of the photo cell is desired, see the Photo Cell Adjustments below. If not, turn the adjustment on the right ("A") fully clockwise.

Photo Cell Adjustment (LOS-SIR, LOS-SIR-HD, LOS-S2IR-HD models only):

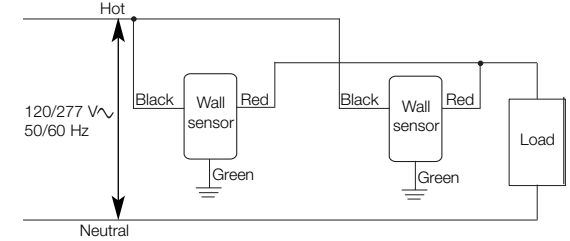
1. Adjust the room lights to the level at which you want the sensor to turn on (use blinds, shades, etc.).
2. Turn the "T" adjustment fully counterclockwise to set the time delay to the minimum setting.
3. Turn the ambient control setting "A" fully counterclockwise. Leave the room and allow the lights to turn off.
4. Re-enter the room and slowly turn the ambient control clockwise until the lights switch on. (Avoid blocking the lens and sensor while making this adjustment.)
5. Ambient threshold is now set at the ambient light level present at the sensor.

WIRING DIAGRAMS

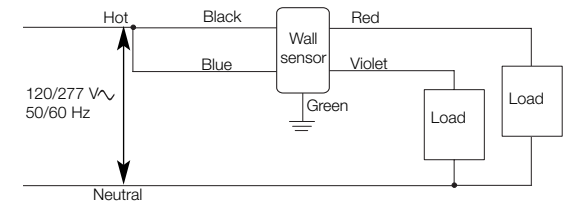
1-Way Wall Switch Sensor



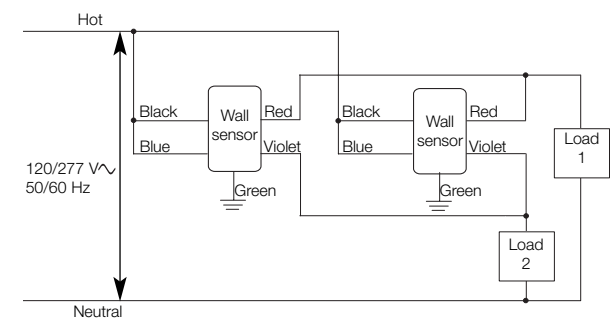
3-Way Wall Switch Sensor



1-Way Dual-Circuit Wall Switch Sensor



3-Way Dual Circuit Wall Switch Sensor



LIMITED WARRANTY

Lutron will, at its option, repair or replace any unit that is defective in materials or manufacture within one year after purchase. For warranty service, return unit to place of purchase or mail to Lutron at 7200 Suter Rd., Coopersburg, PA 18036-1299, postage pre-paid.

This warranty is in lieu of all other express warranties, and the implied warranty of merchantability is limited to one year from purchase. This warranty does not cover the cost of installation, removal or reinstallation, or damage resulting from misuse, abuse, or improper or incorrect repair, or damage from improper wiring or installation. This warranty does not cover incidental or consequential damages. Lutron's liability on any claim for damages arising out of or in connection with the manufacture, sale, installation, delivery, or use of the unit shall never exceed the purchase price of the unit.

This warranty gives you specific legal rights, and you may also have other rights which vary from state to state. Some states do not allow limitations on how long an implied warranty lasts, so the above limitation may not apply to you. Some states do not allow the exclusion or limitation of incidental or consequential damages, so the above limitation or exclusion may not apply to you. Lutron and the sunburst logo are registered trademarks of Lutron Electronics Co., Inc. © 2005.