

### Replacement Kit Instructions

#### Important Notes:

#### Please Read Before Installation

1. Ensure all controls are correctly wired and mounted before installing faceplates.
2. Ensure yokes of controls are free from debris (e.g. plaster, spackling compound) before installing faceplate adapter and faceplate.

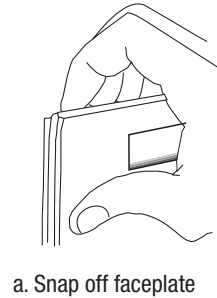
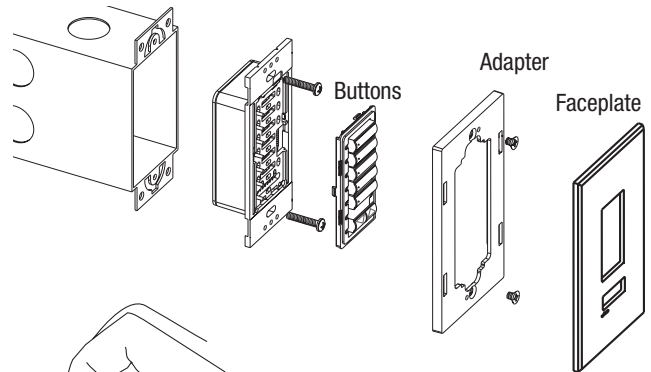
#### Cleaning Instructions

To clean, wipe with a clean damp cloth. DO NOT use any chemical cleaning solutions.

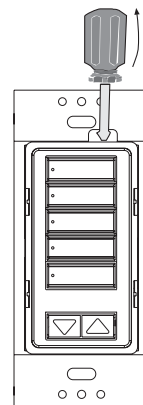
#### Installation

1. Remove the currently installed faceplate, adapter, and buttons.
  - a. Snap off the faceplate.
  - b. Remove 2 screws from the adapter and remove adapter (if present).
  - c. Remove button assembly from keypad by gently prying it from the top.

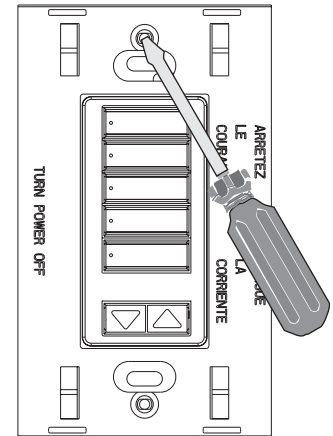
Removing the adapter is required for insert models or if the new faceplate kit is a different color than the one being removed.
2. Snap on the buttons by lining up the two tabs on the bottom of the buttons with the two slots in the keypad just above the lower keypad mounting screw. Using your thumbs, press in the bottom, and then snap in the top of the buttons.
3. Attach adapter to controls with screws provided.
4. Attach the faceplate to the adapter by pressing at the top and bottom of the faceplate until it snaps into place.



a. Snap off faceplate



c. Gently pry out buttons



b. Remove screws and faceplate adapter (if present)

### Warranty and Contact Information

These products may be covered under one or more of the following U.S. patents: D461,782; and corresponding foreign patents. Other U.S. and foreign patents may be pending. Lutron and the sunburst logo are registered trademarks and SeeTouch is a trademark of Lutron Electronics Co., Inc. © 2007 Lutron Electronics Co., Inc. For additional warranty information, visit [www.lutron.com](http://www.lutron.com)

Internet: [www.lutron.com](http://www.lutron.com)  
E-mail: [product@lutron.com](mailto:product@lutron.com)

#### World Headquarters

Lutron Electronics Co., Inc.  
7200 Suter Road, Coopersburg, PA 18036-1299  
TEL +1.610.282.3800  
FAX +1.610.282.1243  
Toll-Free 1.888.LUTRON1  
Technical Support 1.800.523.9466

North and South America Technical Hotlines  
USA, Canada, Caribbean: 1.800.523.9466  
Mexico: +1.888.235.2910  
Central/South America: +1.610.282.6701

#### European Headquarters

United Kingdom  
Lutron EA Ltd.  
6 Sovereign Close, London, E1W 3JF United Kingdom  
TEL +44.(0)20.7702.0657  
FAX +44.(0)20.7480.6899  
FREEPHONE (UK) 0800.282.107  
Technical support +44.(0)20.7680.4481

#### Asian Headquarters

Singapore  
Lutron GL Ltd.  
15 Hoe Chiang Road, #07-03 Euro Asia Centre, Singapore 089316  
TEL +65.6220.4666  
FAX +65.6220.4333  
Asia Technical Hotlines  
Northern China: 10.800.712.1536  
Southern China: 10.800.120.1536  
Hong Kong: 800.901.849  
Indonesia: 001.803.011.3994  
Japan: +81.3.5575.8411  
Macau: 0800.401  
Singapore: 800.120.4491  
Taiwan: 00.801.137.737  
Thailand: 001.800.120.665853  
Other countries: +800.120.4491