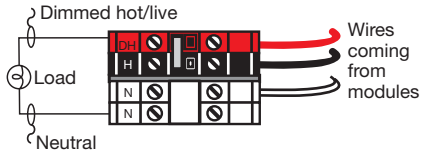


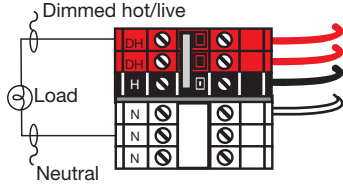
120 V Module Wiring

Typical Dimming/Switching Leg Shown for the following modules:

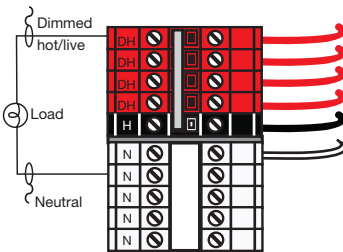
1-Circuit Dimming Module (1U)



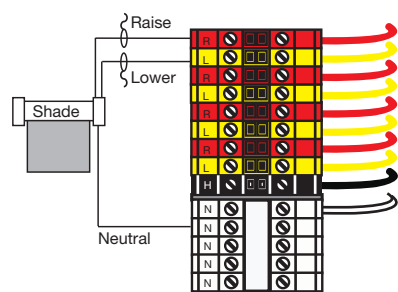
2-Circuit Dimming Module (2U)



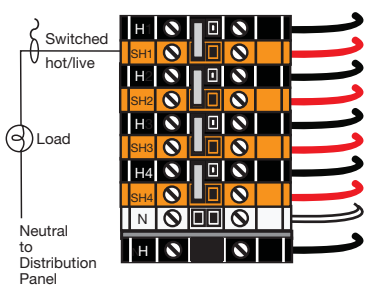
4-Circuit Dimming Module (4U, 4A & 4FSQ)



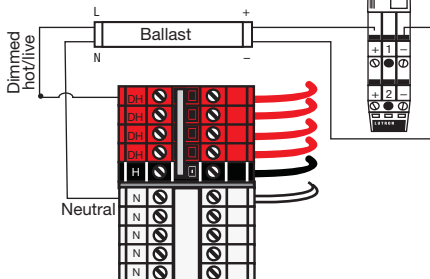
4-Circuit Motor Module (4M)



4-Circuit Switching Module (4R)



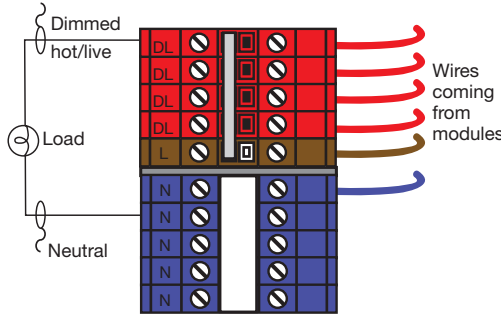
TVM Module (0-10 V, PWM, DSI)



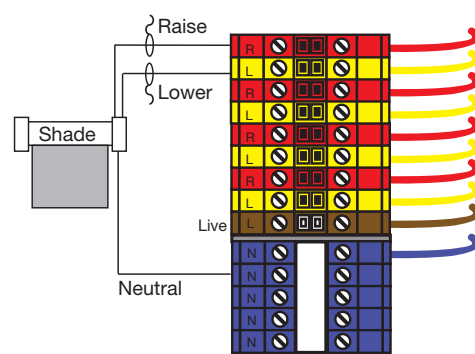
230 V CE Module Wiring

Typical Dimming/Switching Leg Shown for the following modules:

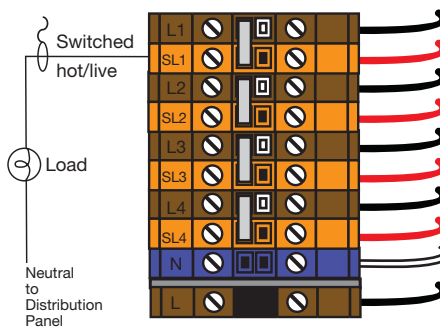
4-Circuit Dimming Module (4U, 4A, 4E & 4FSQ)



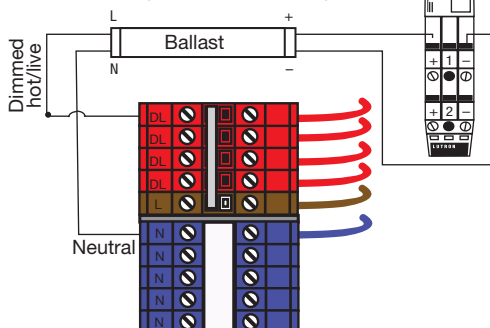
4-Circuit Motor Module (4M)



4-Circuit Switching Module (4R)



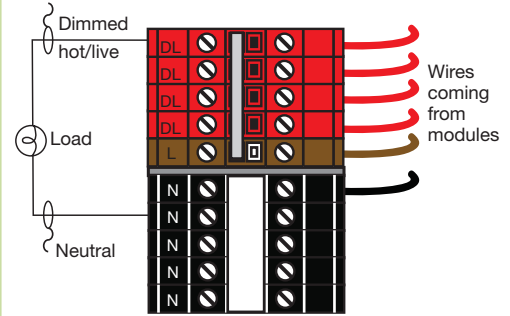
TVM Module (0-10 V, PWM, DSI)



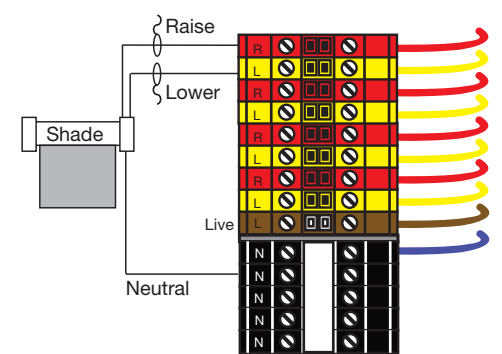
220/240 V Module Wiring

Typical Dimming/Switching Leg Shown for the following modules:

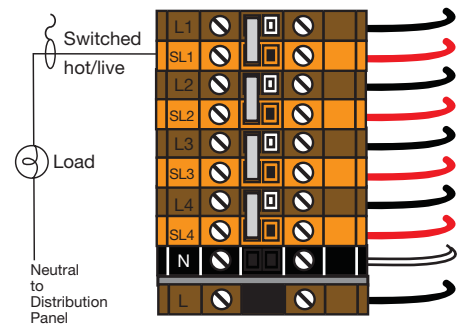
4-Circuit Dimming Module (4U, 4A, 4E & 4FSQ)



4-Circuit Motor Module (4M)



4-Circuit Switching Module (4R)



TVM Module (0-10 V, PWM, DSI)

