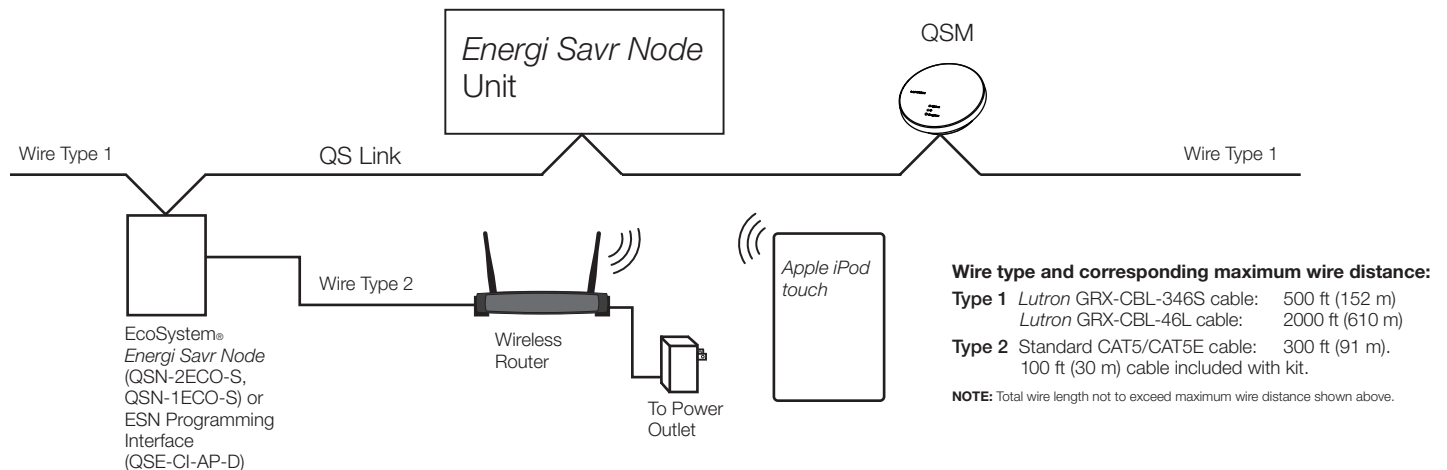




# Energi Savr Node™ Wireless Setup Kit Quick-Start Guide

## System Example



## Overview

The *Energi Savr Node Wireless Setup Kit* (C-ESN-SETUP) contains the following items:

- *Apple iPod touch* device preloaded with Lutron® *Energi Savr Node* setup application (also available on the *Apple App Store*)
- Wall charger for *iPod touch*
- 802.11g wireless router preconfigured to communicate with both *iPod touch* device and *Lutron Energi Savr Node* units
- Ethernet cable for connecting wireless router to *Energi Savr Node* system

## Getting Started

### Step 1: Wire connections

- 1.1** Connect one end of the supplied Ethernet cable to an *EcoSystem® Energi Savr Node* unit (QSN-1ECO-S, QSN-2ECO-S) or to an *Energi Savr Node* Ethernet Programming Interface (QSE-CI-AP-D).  
**NOTE:** If more than one QS link is present, these steps will need to be repeated for each QS link.
- 1.2** Connect the other end of the supplied Ethernet cable to one of the standard LAN ports on the wireless router. Do not plug the cable into the WAN (Internet) port.
- 1.3** Connect the supplied router power supply to the router and plug the power supply into a wall outlet. Verify that the wireless router is powered on by confirming that the lights on the front of the unit are on.

**NOTE:** The wireless router has already been configured to communicate with the *Apple iPod touch* device. If you restore the router to its factory default, you will need to re-establish wireless communications between the *Apple iPod touch* device and the router using the *Apple iPod touch* device's WiFi connection screen.

### Step 2: Discover the system

- 2.1** Remove the *Apple iPod touch* device from the packaging and power on the device by holding the button on the top of the unit for several seconds (until the screen becomes active). Allow some time for the device to boot up.

**NOTE:** You may find that the *Apple iPod touch* device is not fully charged. If necessary, connect the supplied *Apple iPod touch* device wall charger to a power source and then plug the *Apple iPod touch* device into the wall charger.



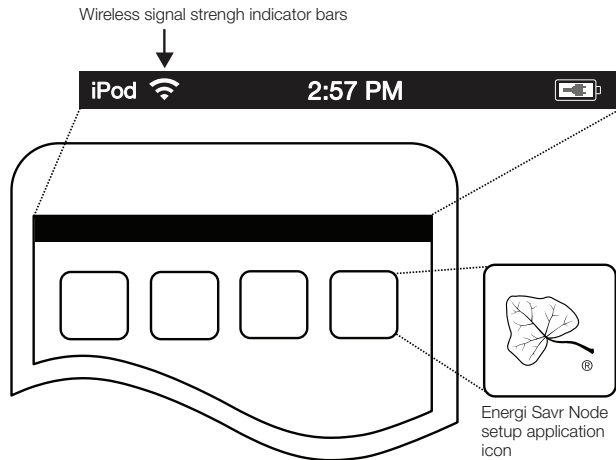
2.2 Verify that the *Apple iPod touch* device has connected to the wireless router. You should see wireless signal strength indicator bars in the top-left corner of the *Apple iPod touch* device main screen (see **Figure 1** below).

**NOTE:** This connection may take some time to be established. You should not proceed until the indicator bars appear (see **Figure 1** below).

2.3 Run the *Energi Savr Node* (ESN) setup application by touching the icon (see **Figure 1** below).

2.4 When the application loads, you should see the connected *Energi Savr Node* unit.

**Figure 1. Main Screen of iPod touch device**



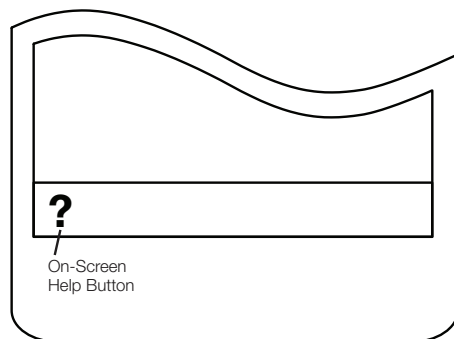
### Step 3: Set up the system

**NOTE:** Only follow these instructions when setting up a system for the first time. For a system that is already operational and needs minor adjustments, **Ballast Addressing is NOT generally required; simply navigate to existing areas and modify the settings as needed.**

3.1 Connect to the device (for help during any part of the set-up process, use the on-screen help button as shown in **Figure 2** below)

- Select the desired *Energi Savr Node* unit and connect to it.
- When prompted, enter a password. You will need this password when connecting to the device to make configuration changes in the future.

**Figure 2. On-Screen Help Button of Energi Savr Node Setup Application**



#### Technical and Sales Assistance

If you need assistance, call the toll-free **Lutron Technical Support Center**. Please provide the programming kit model number when calling: C-ESN-SETUP.  
 U.S.A./Canada/Caribbean: 1.800.523.9466  
 Mexico: +1.888.235.2910  
 Other Countries: +1.610.282.3800  
 Visit our web site at [www.lutron.com](http://www.lutron.com)

Lutron, EcoSystem and the sunburst logo are registered trademarks and Energi Savr Node is a trademark of Lutron Electronics Co., Inc. Apple and iPod touch are trademarks of Apple Inc., registered in the U.S. and other countries. App Store is a service mark of Apple Inc.

Lutron Electronics Co., Inc | 7200 Suter Road | Coopersburg, PA 18036-1299 USA

3.2 Navigate to the configuration screen

- From the **Home** screen, navigate to **System setup > Configure an ESN**. Select the desired ESN and touch **Next** to see the main configuration screen.

3.3 Verify wiring

- Navigate to the **Verify wiring** screen and ensure that all ballasts/outputs are responding correctly to the system commands.

3.4 Address ballasts

- If programming an EcoSystem® *Energi Savr Node* unit (QSN-2ECO-S, QSN-1ECO-S), address the ballasts by navigating to the **Address ballasts** screen.

3.5 Create areas

- Using the **Setup areas** screen, create new areas that correspond to the areas that you want to control in your space (e.g. hallway, office).

3.6 Define areas

- Within the **Setup areas** screen, perform the following steps for each area that you created.
  - Navigate to the **Define lights in this area** screen and identify which lights belong to each area.
  - If programming an EcoSystem *Energi Savr Node* unit (QSN-2ECO-S, QSN-1ECO-S), navigate to the **Setup zones/scenes** screen to define the lighting zones that should exist in each area and assign the appropriate lights from the area to each zone as desired. Other *Energi Savr Node* models (such as QSN-4S16-S and QSN-4T16-S) have zones that are already pre-defined.
  - Also on the **Setup zones/scenes** screen, configure the desired area scenes by modifying the scene names as desired and specifying the zone light levels for each scene.
  - If desired, navigate to the **Setup daylighting** screen and program the daylighting behavior by assigning daylight sensors to each area, defining the daylight rows in each area, and calibrating the daylighting settings.
  - If desired, navigate to the **Setup occupancy** screen and program the occupancy behavior by assigning occupancy sensors to each area and specifying the occupied and unoccupied scenes.

3.7 Program controls

- Return to the **Home** screen. Navigate to **System setup** to view the various device programming options.
- Program any IR sensors, QS keypads, Grafik Eye® QS units, or other QS devices to control the *Energi Savr Node* unit lighting as desired using the **Program devices** and **Program IR sensors** screens.

3.8 Program dry contact inputs

- Program any configurable dry contact inputs on the *Energi Savr Node* units using the **Program ESN inputs** screen.

## Step 4: Start Saving Energy with your Energi Savr Node System!