

SVQ-4S2G-IT Infrared Hand-held Remote Control

Operating Instructions Please Leave for Occupant

Description

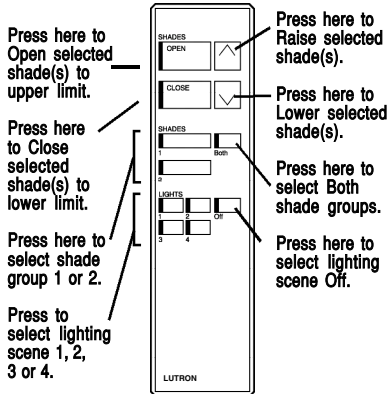
The SVQ-4S2G-IT Infrared Hand-held Remote Control provides control of Sivoia® or Sivoia QED™ motorized window shades and GRAFIK Eye® or Spacer System™ lighting systems. The SVQ-4S2G-IT provides control of the PerSONNA® lighting system from up to 8 feet (2.4m) away.

The user can operate up to two groups of shades, using the SVQ-4S2G-IT. These two groups of shades can be selected individually by pressing the Shades 1 button or Shades 2 button or together by pressing the Both button on the SVQ-4S2G-IT. The selected shades can then be moved by pressing the Open, Close, Raise or Lower buttons (see Operation section below). For Sivoia QED Electronic Drive Units (EDUs), please refer to the Sivoia QED Wiring and Programming Guide or the Sivoia QED Technical Reference Guide for the setup procedure. For Sivoia Electronic Drive Units please refer to the Sivoia Electronic Drive Unit installation instructions or the Sivoia Technical Reference Guide for the set up procedure.

The user can operate GRAFIK Eye, PerSONNA or Spacer System lighting scenes (1-4 and OFF) by pressing a lighting scene button on the SVQ-4S2G-IT. The lighting scene buttons recall lighting scenes previously programmed in the lighting system. Please refer to the installation instructions of the lighting systems for more details.

Operation

Point the Infrared Hand-held Remote Control at the GRAFIK Eye, Sivoia, Sivoia QED, PerSONNA, or Spacer System IR receiver. To select a lighting scene - Press the appropriate lighting scene button (1-4 or Off). To operate a shade - Press the appropriate shade button, (1, 2, or Both, default is Both shades) then press the desired function (Open, Close, Raise or Lower).



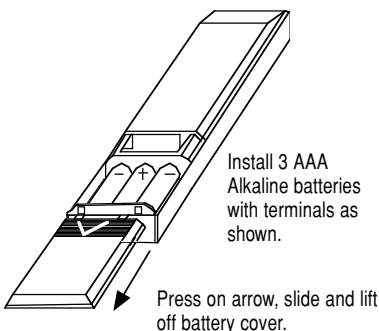
Note: Pressing any button while the shade is moving will stop the shade.

Battery Replacement

The SVQ-4S2G-IT Infrared Hand-held Remote Control uses 3 AAA batteries which are pre-installed (see diagram). For best results use **Energizer®** brand alkaline batteries. Do not use NiCad batteries.

To replace batteries:

1. Remove the battery cover.
2. Replace with 3 size AAA alkaline batteries as shown.
3. Replace the battery cover.



The Infrared Hand-held Remote Control is safe for use around baths and spas.



DO NOT SUBMERGE IN WATER.

Troubleshooting

Problem	Causes	Remedies
Infrared Hand-held Remote Control has no effect on the Electronic Drive Unit (EDU).	Electronic Drive Unit (EDU) power is OFF.	Restore power.
	Dead, low, or no batteries in the Infrared Hand-held Remote Control.	Install new batteries.
	Infrared Hand-held Remote Control is too far away from the IR receiver.	Try moving closer to the shade(s) you wish to control. If an IR receiver is installed on the Electronic Drive Unit (EDU), verify that it is properly installed and the IR receiver is not obstructed (e.g. by curtains, fascia, drapes).
	Batteries inserted incorrectly.	Install batteries per diagram.
Infrared Hand-held Remote Control has no effect on the lighting system.	Lighting system power is OFF.	Restore power.
	Dead, low or no batteries in the Infrared Hand-held Remote Control.	Install new batteries.
	Infrared Hand-held Remote Control is too far away from the lighting system.	Try moving closer to the lighting system you wish to control.
	Batteries inserted incorrectly.	Install batteries per diagram on the first page.

Technical Assistance

Lutron Shading Solutions by VIMCO
11520 Sun Shade Lane
Ashland, Virginia 23005

www.lutron.com
24/7 service and support:
call: 1-800-446-1503
fax: 1-804-752-3366

email: shadinginfo@lutron.com

©2004 LUTRON Electronics Co., Inc.

Limited Warranty

Lutron Shading Solutions by VIMCO offers an 8-year limited warranty for our shading systems. Please contact customer service or visit our website for a complete warranty statement.

Lutron Shading Solutions by VIMCO reserves the right to make improvements or changes to these products without prior notice. Although every attempt is made to ensure that this information is accurate and up to date, please check with Lutron Shading Solutions by VIMCO to confirm product availability, the latest specifications, and suitability for your application.

These products may be covered under one or more of the following U.S. patents: 5,467,266; 5,671,387; 5,848,634; 6,100,659; 6,201,364; 6,313,588; 6,346,781; 6,497,267; D462,332; and corresponding foreign patents. US and foreign patents pending.

Lutron, the Sunburst logo, and Sivoia are registered trademarks, and Sivoia QED and "Lutron controls your light" are trademarks of Lutron Electronics Co., Inc.