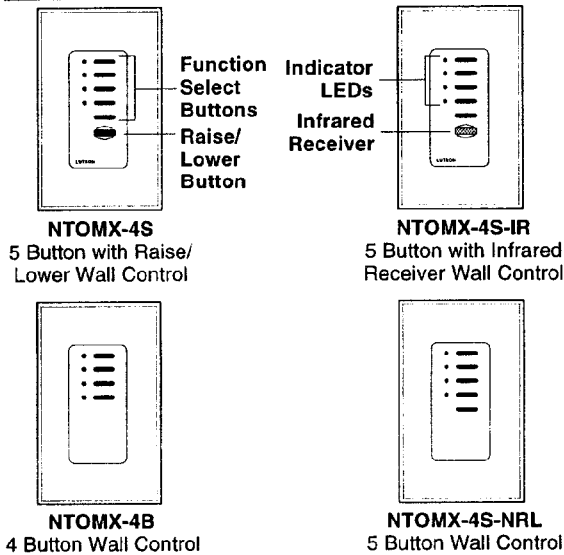


**GRAFIK 6000™**  
 LIGHTING CONTROL SYSTEM  
 Installation Instructions  
 Please Leave for Occupant

**NOVA™ Wall Controls:**

- NTOMX-4S 5 Button with Raise/Lower Wall Control
  - NTOMX-4S-IR 5 Button with Infrared Receiver Wall Control
  - NTOMX-4S-NRL 5 Button Wall Control
  - NTOMX-4B 4 Button Wall Control
- (Class 2 Devices)



**Installation**

1. **Prewiring:** The Control Links require special wiring considerations. Refer to the GRAFIK 6000 Installation Guide and Lutron job drawings for wiring restrictions and limitations that apply to your specific project.
2. Turn power OFF.  
**WARNING: Always turn off the power to the control panel before doing any work. Failure to do so can result in serious personal injury and damage to equipment.**
3. Separate faceplate from faceplate adapter by pulling from the center of the top of the faceplate. Unscrew faceplate adapter. Set aside.
4. **Assign Addresses:**  
 Address all controls on the Control Link. Refer to Lutron job drawings for any preassigned job specific address for each control. Each Control Link can support up to 32 controls. For proper system operation, each control on a link must have a unique address. See Rear View of Control. Set DIP Switches 1-5 on the back of each control to one of the positions illustrated in Table 1. Record assignments in the "Location" column for future reference.
5. Strip insulation from wires so 3/8" bare wire is exposed. The terminals will accept up to two #18 AWG wires. If wires are larger, splice a #18 AWG wire to the wires to make the connection.
6. Connect wiring as shown in Typical Control Link Wiring Diagram. Confirm all connections.
7. Mount device as shown in the Mounting Diagram using the mounting screws provided. Screw on faceplate adapter and snap on faceplate.
8. Restore power to the control panel **after** the installation of the system is complete.

**Description**

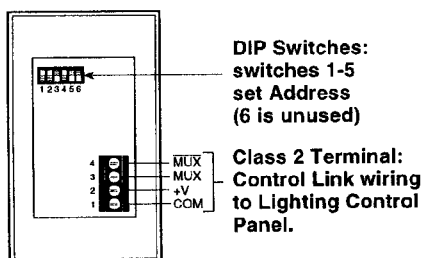
The NTOMX-4S, NTOMX-4S-IR, NTOMX-4B, and NTOMX-4S-NRL controls provide local access to the Lighting Control System to:

- Select groups of scenes in the Lighting Control System.
- Temporarily change the light settings for the current scene.
- Turn lighting zones off.
- Activate other system functions. Refer to the GRAFIK Eye 6000 Setup Software User's Guide for other assignable functions.

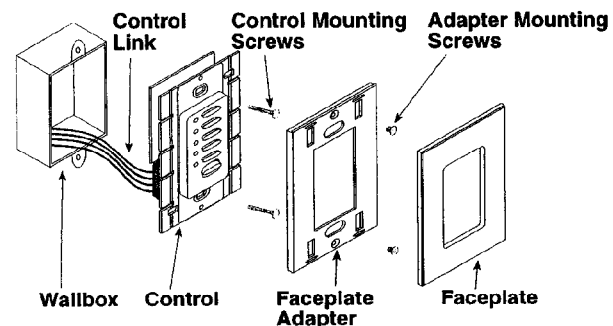
**Important Notes**

1. READ ALL INSTRUCTIONS CAREFULLY BEFORE STARTING INSTALLATION.
2. This control must be installed by a qualified electrician.
3. Install in accordance with the National Electric Code and all applicable local regulations.
4. Turn power OFF at the control panel before installing controls. Do not connect high-voltage power to low voltage terminals. Improper wiring can result in personal injury or damage to the control and to other equipment.

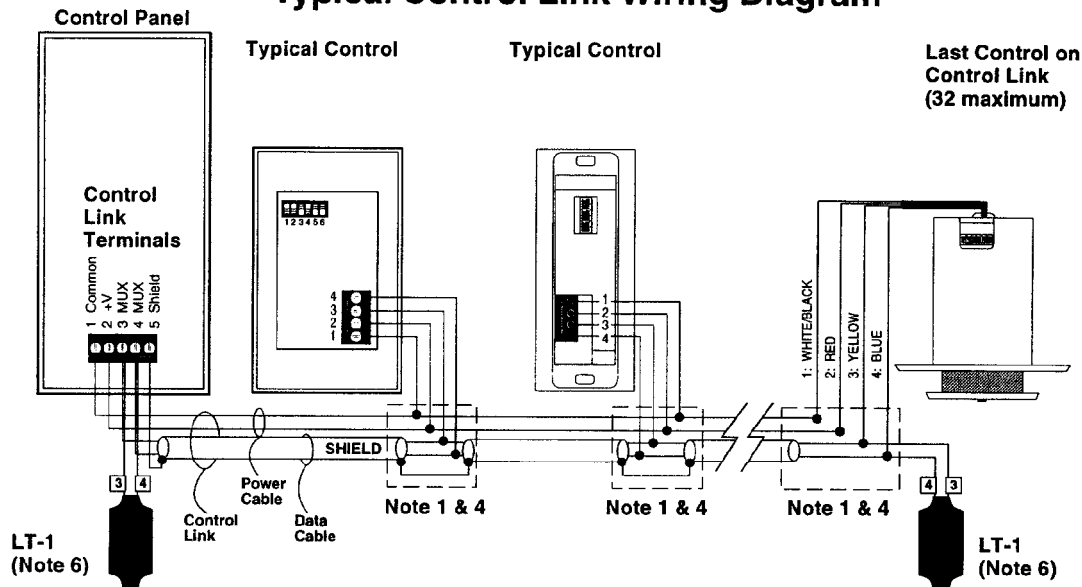
**Rear View of Control**



**Mounting Diagram**



# Typical Control Link Wiring Diagram



## Wiring Notes:

1. Connection of the control to the Control Link should be made inside the control's wallbox or in a junction box (provided by others) located no more than 8 feet from control.
2. Control Link wiring must not be run in the same raceway as 120VAC or 277VAC.
3. Total Control Link length is not to exceed 2000 feet unless signal is boosted using a link booster (MX-RPTR).
4. Data cable shield must be maintained throughout the Control Link. **DO NOT** connect the shield to earth ground.
5. Refer to the GRAFIK 6000 Installation Guide and Lutron job drawings for power cable and data cable (Control Link) wiring restrictions and limitations.
6. Control Link requires a LT-1, Link Termination Assembly, at each end of the Control Link. Refer to the LT-1 instruction sheet for location and installation information.

**Table 1: Address Selection**

Address #	Switch Setting	Location	Address #	Switch Setting	Location	Address #	Switch Setting	Location	Address #	Switch Setting	Location
1			9			17			25		
2			10			18			26		
3			11			19			27		
4			12			20			28		
5			13			21			29		
6			14			22			30		
7			15			23			31		
8			16			24			32		

Switch Up (ON)      Switch Down (OFF)

## Worldwide Technical and Sales Assistance

If you need assistance call the toll-free **Lutron Hotline:**

(800) 523-9466 (USA, Canada, and the Caribbean)  
 Other countries, call (610) 282-3800  
 FAX (610) 282-3090

## Warranty

Lutron will, at its option, repair or replace any unit that is defective in materials or manufacture within one year after purchase. For warranty service, call the Lutron Hotline at (800) 523-9466 and ask for field service. Lutron shall, at its option, arrange for repair or replacement of any defective unit.

**This warranty is in lieu of all other warranties, express or implied, and the implied warranty of merchantability is limited to one year from purchase. This warranty does not cover the cost of installation, removal, or reinstallation, or damage resulting from misuse, abuse, or damage resulting from improper wiring or installation.**

This warranty gives you specific legal rights, and you may also have other rights which vary from state to state. Some states do not allow the exclusion or limitation of incidental or consequential damages or limitations on how long an implied warranty may last, so the above limitations may not apply to you.

Lutron Electronics Co., Inc.  
 7200 Suter Road  
 Coopersburg, PA 18036-1299 U.S.A.  
 Made and printed in U.S.A. 7/95 P/N 040-089