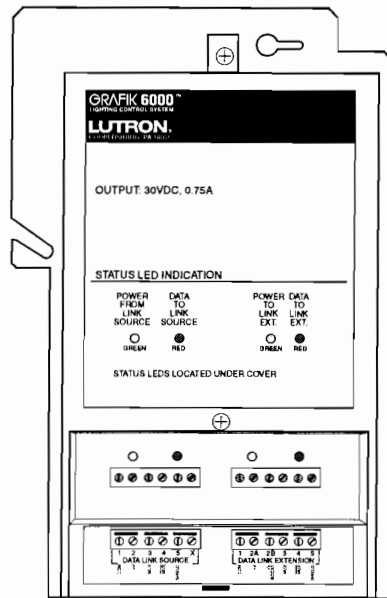


Installation Instructions
Please Leave for Occupant



Description

The Link Booster allows Wallstation or Dimmer Panel Links to be extended beyond their normal maximum distances. Included are:

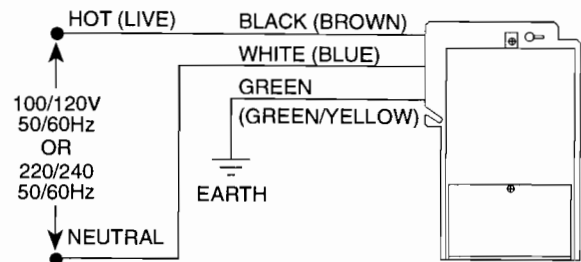
- (1) MX-RPTR-100/120 or MX-RPTR-220/240
- (2) LT-1 Link Termination Assembly

Important Notes

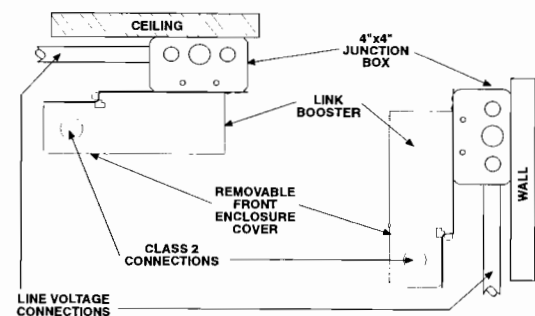
1. READ ALL INSTRUCTIONS CAREFULLY BEFORE STARTING INSTALLATION.
2. The Link Booster must be installed by a qualified electrician.
3. Install in accordance with all local and national electrical codes.
4. Power must be OFF at the breaker or fuse supplying power to the Link Booster and the GRAFIK 6000 Processor Panel before installing. Do not connect high-voltage power to low-voltage terminals. Improper wiring can result in personal injury or damage to the control and to other equipment.
5. Link Booster may be installed up to 2000 ft. (600 m) maximum from the lighting control panel to provide an additional 2000 feet (600 m) of capacity. Up to three Link Boosters can be installed on a link to increase the link wiring length. Each Link Booster can power only 24 of the 32 maximum wallstation controls; or 0.75A.
6. The wire connectors provided are suitable for copper wire only. They can be used to join one #18, #16, #14, #12, or #10 AWG (1.0—3.0 mm²) with one or two #14 or #12 AWG.

Installation on a Wallstation Link

1. **Prewiring:** The Wallstation Link requires special wiring considerations. Refer to the GRAFIK 6000 Installation Guide and Lutron job drawings for wiring restrictions and limitations that apply to your specific project. Pull a power feed to the junction box where the Link Booster will be mounted. Power feed is only required when used on a Wallstation Link. Junction box may be wall-mounted or ceiling-mounted. Refer to local codes for additional mounting restrictions.
2. Turn power OFF.
WARNING: Always turn the Link Booster power and the power to the GRAFIK 6000 Processor Panel off before doing any work. Failure to do so can result in serious personal injury and damage to equipment.
3. Strip wires so $\frac{3}{8}$ in. (9.5 mm) of bare wire is exposed. Connect the line voltage wiring to the wires exiting from the rear of the Link Booster as shown.



4. Mount the Link Booster to the junction box as shown in either Mounting Diagram. Unscrew and remove the front enclosure cover to expose the Class 2/PELV terminals and Status LEDs.



Mounting Diagrams

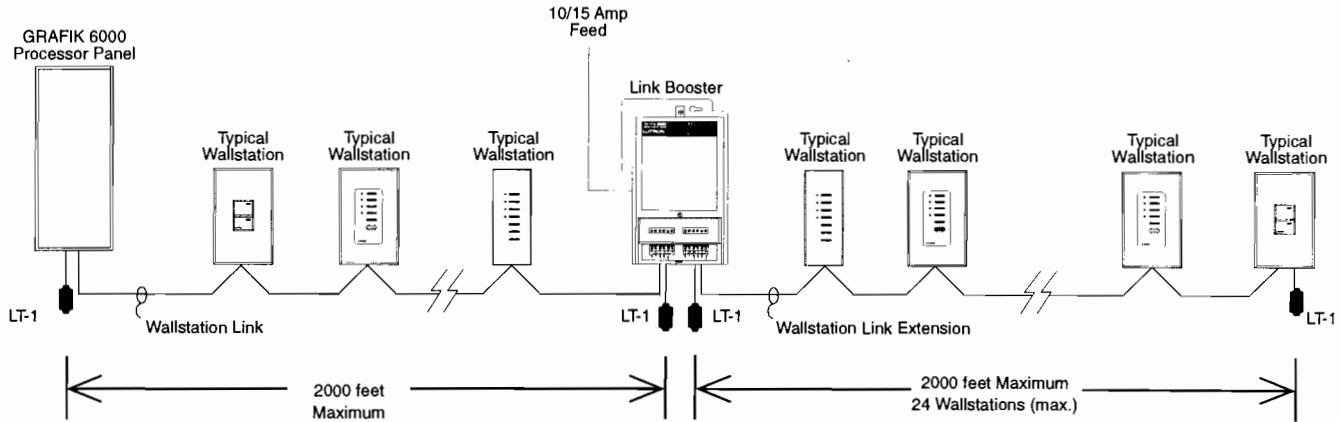
5. Strip insulation from Wallstation Link wires so $\frac{3}{8}$ in. (9.5 mm) bare wire is exposed. The terminals will accept up to two #18 AWG (1.0 mm²) wires. If wires are larger, splice a #18 wire to the wires to make the connection.

- Review Wallstation Link Application No. 1 and No. 2 and wire the Link Booster into the Wallstation Link as shown in the appropriate drawings. LT-1s, Link Termination Assemblies, are required at each end of the Wallstation Link as shown. Confirm all connections.

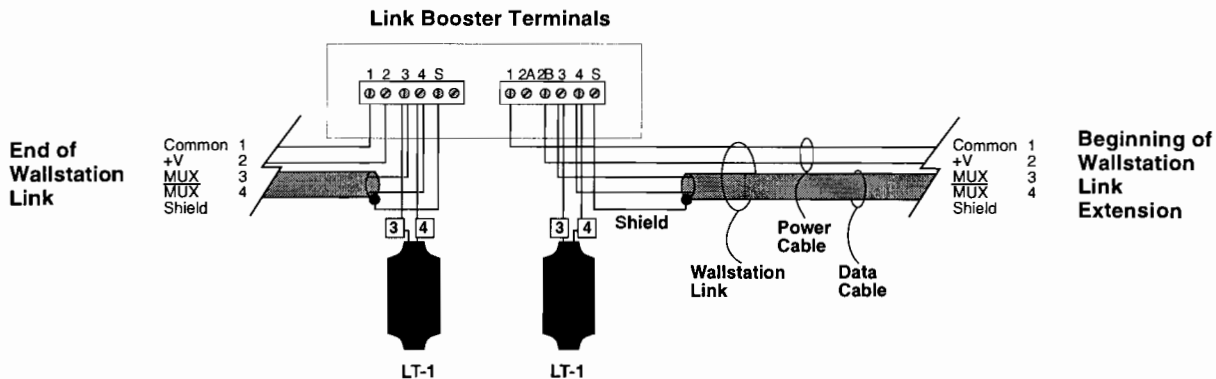
- Replace front enclosure cover. Restore power to the Link Booster and the GRAFIK 6000 Processor Panel **after** installation of the system is complete.

Wallstation Link Application No. 1: Extension Wiring (Used to extend Wallstation Link length)

Wiring Overview



Link Booster Wiring Detail

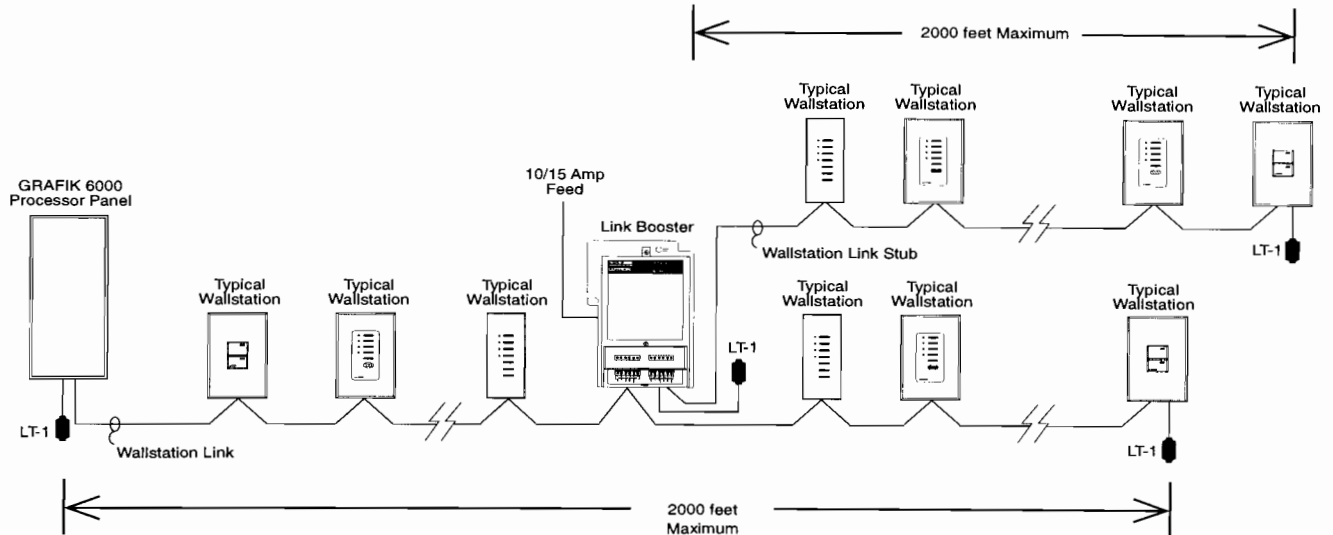


Wiring Notes:

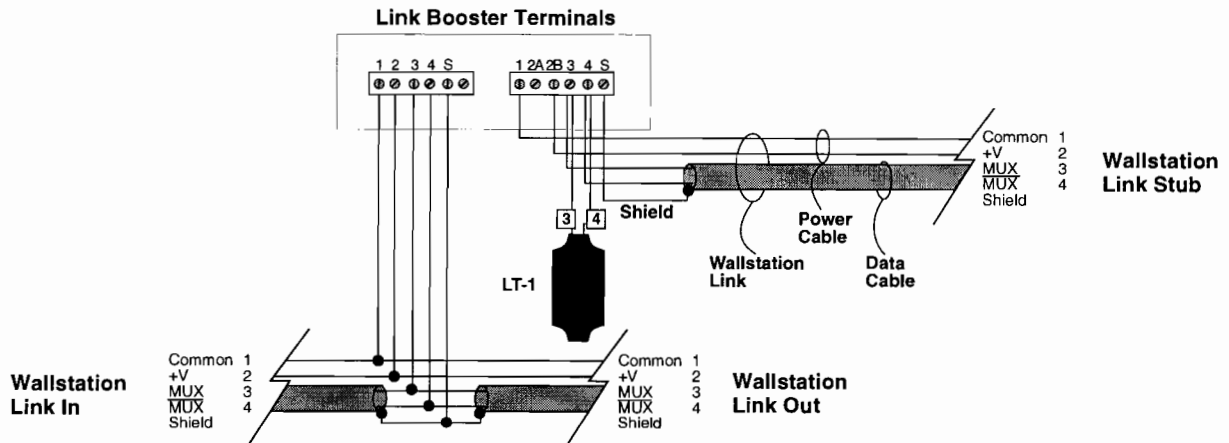
- Lutron recommends that the connection of the Link Booster to the Wallstation Link be made inside the Link Booster. If a junction box (provided by others) is used instead, locate the box no more than 8 ft. (2.4 m) from the Link Booster.
- Wallstation Link wiring must not be run in the same raceway as line voltage (main voltage) wiring.
- Neither the Wallstation Link nor the Wallstation Link Extension can exceed 2000 ft. (600 m) in length.
- Data cable shield must be maintained throughout the Wallstation Link. **DO NOT** connect the shield to earth ground.
- Refer to the GRAFIK 6000 Installation Guide and Lutron job drawings for power cable and data cable (Wallstation Link) wiring restrictions and limitations.
- Wallstation Link requires an LT-1, Link Termination Assembly, at each end of the Wallstation Link and each end of the Wallstation Link Extension.

Wallstation Link Application No. 2: Stub Wiring (Used to correct a branched or "T-tapped" section of Wallstation Link)

Wiring Overview



Link Booster Wiring Detail

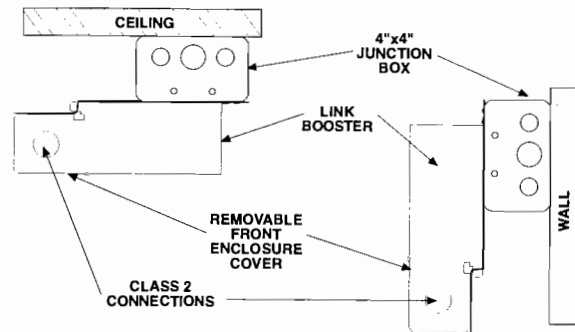


Wiring Notes:

1. Lutron recommends that the connection of the Link Booster to the Wallstation Link be made inside the Link Booster. If a junction box (provided by others) is used instead, locate the box no more than 8 ft. (2.4 m) from the Link Booster.
2. Wallstation Link wiring must not be run in the same raceway as line voltage (main voltage) wiring.
3. Neither the Wallstation Link nor the Wallstation Link Stub can exceed 2000 ft. (600 m) in length.
4. Data cable shield must be maintained throughout the Wallstation Link. **DO NOT** connect the shield to earth ground.
5. Refer to the GRAFIK 6000 Installation Guide and Lutron job drawings for power cable and data cable (Wallstation Link) wiring restrictions and limitations.
6. Wallstation Link requires an LT-1, Link Termination Assembly, at each end of the Wallstation Link and each end of the Wallstation Link Stub.

Installation on a Dimmer Panel Link

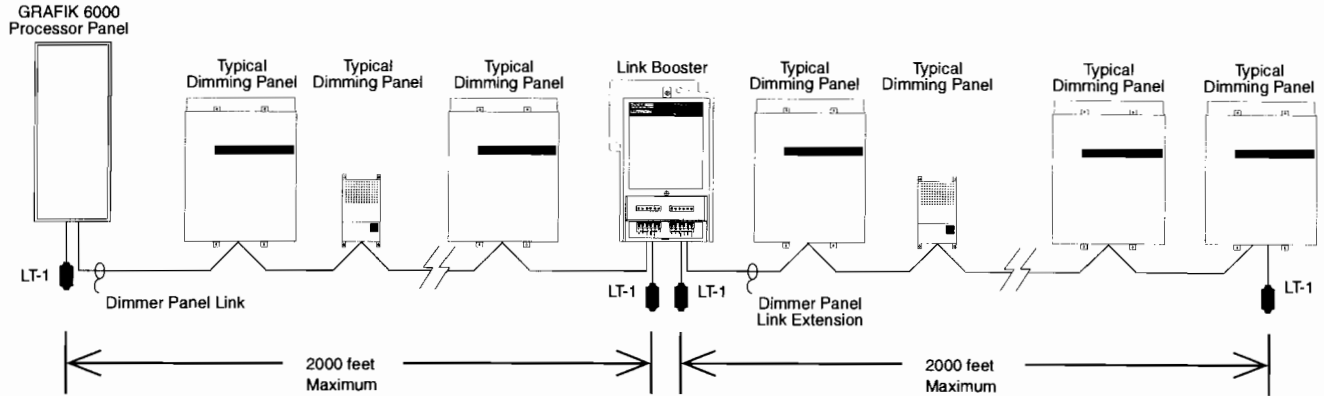
- 1. Prewiring:** The Dimmer Panel Link requires special wiring considerations. Refer to the GRAFIK 6000 Installation Guide and Lutron job drawings for wiring restrictions and limitations that apply to your specific project.
- 2.** Turn power OFF.
WARNING: Always turn off power to the GRAFIK 6000 Processor Panel before doing any work. Failure to do so can result in serious personal injury and damage to equipment.
- 3.** Using the wire connectors provided, cap off the three wires on the Link Booster. These wires are only used when installing the Link Booster to boost a Wallstation Link.
- 4.** Mount the Link Booster to the junction box in one of two ways as shown in the Mounting Diagram at right. The Link Booster may be wall-mounted or ceiling-mounted. Refer to local electrical codes for additional restrictions. Unscrew and remove the front enclosure cover to expose the Class 2 terminals.
- 5.** Strip insulation from Dimmer Panel Link wires so $\frac{3}{8}$ in. (9.5 mm) bare wire is exposed. The terminals will accept up to two #18 AWG (1.0 mm²) wires. If wires are larger, splice a #18 AWG (1.0 mm²) wire to the wires to make the connection.
- 6.** Review Dimmer Panel Link Application No. 1 and No. 2 on the pages that follow and wire the Link Booster into the Dimmer Panel Link as shown in the appropriate drawing. LT-1s, Link Termination Assemblies, are required at each end of the Panel Link as shown. Confirm all connections.
Note: When an installation uses a "sense line," the "sense line" (wire 5) must be maintained throughout the link; but, it does not connect to the Link Booster. For additional information about the "sense line," consult the panel to panel wiring section of the GRAFIK 6000 Installer's Guide.
- 7.** Replace front enclosure cover. Restore power to the GRAFIK 6000 Processor Panel **after** the installation of the system is complete.



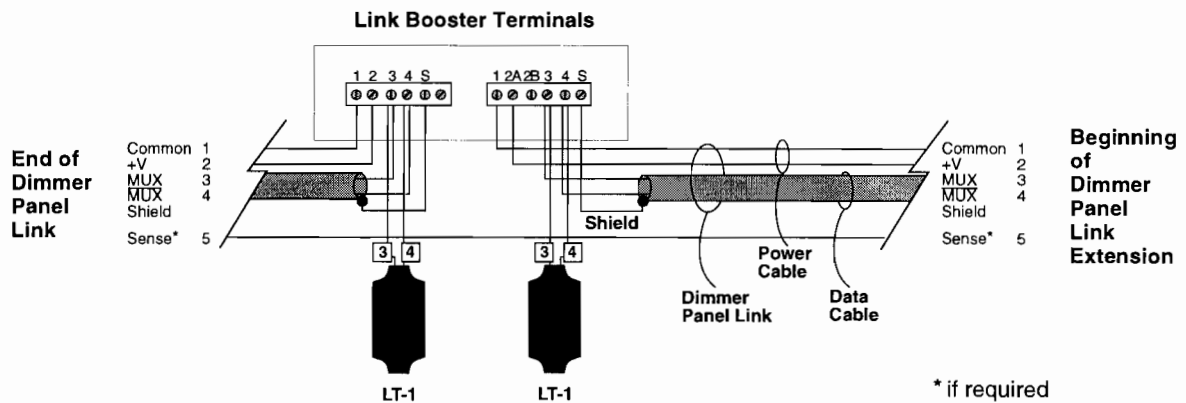
Mounting Diagrams

Dimmer Panel Link Application No. 1: Extension Wiring (Used to extend Dimmer Panel Link length.)

Wiring Overview



Link Booster Wiring Detail

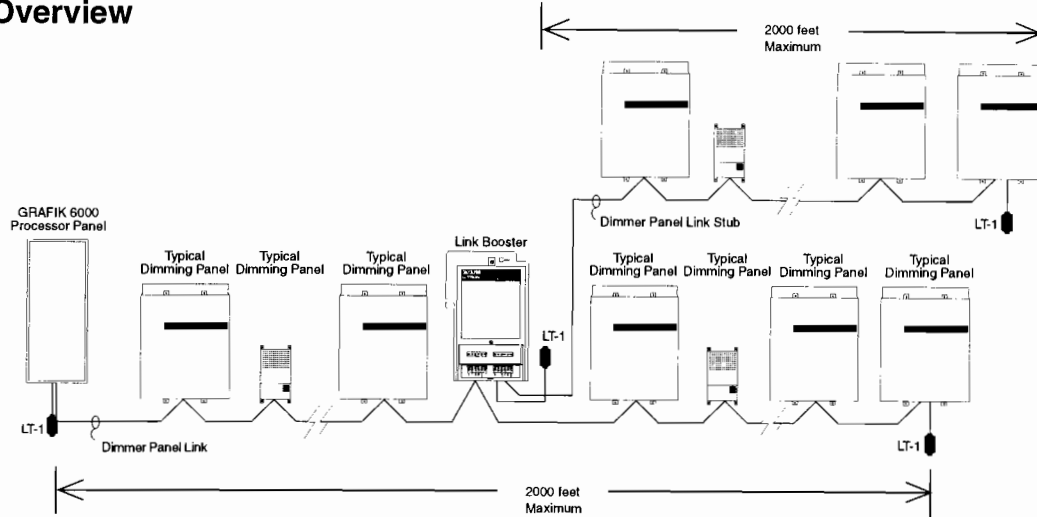


Wiring Notes:

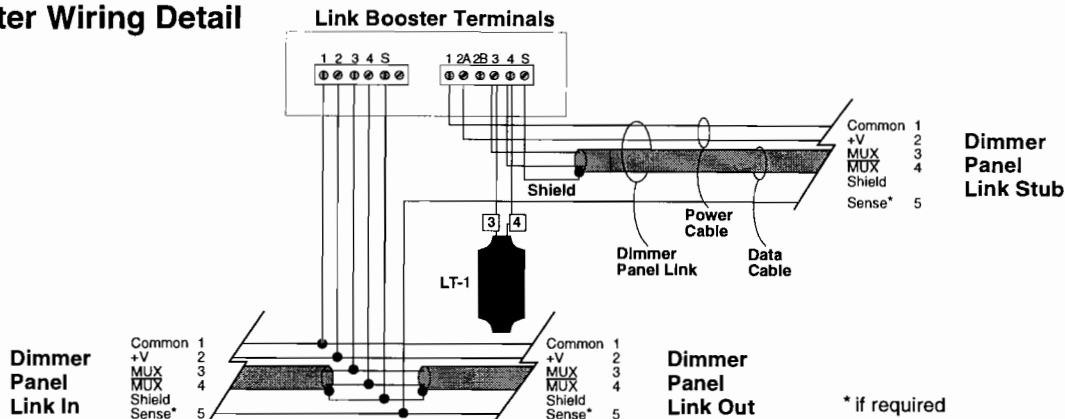
1. Lutron recommends that the connection of the Link Booster to the Dimmer Panel Link be made inside the Link Booster. If a junction box (provided by others) is used instead, locate the box no more than 8 ft. (2.4 m) from the Link Booster.
2. Dimmer Panel Link wiring must not be run in the same raceway as line voltage (main voltage) wiring.
3. Neither the Dimmer Panel Link nor the Dimmer Panel Link Extension can exceed 2000 ft. (600 m) in length.
4. Data cable shield must be maintained throughout the Dimmer Panel Link. **DO NOT** connect the shield to earth ground.
5. Refer to the GRAFIK 6000 Installation Guide and Lutron job drawings for power cable and data cable (Dimmer Panel Link) wiring restrictions and limitations.
6. Dimmer Panel Link requires an LT-1, Link Termination Assembly, at each end of the Dimmer Panel Link and each end of the Dimmer Panel Link Extension.

Dimmer Panel Link Application No. 2: Stub Wiring (Used to correct a branched or "T-tapped" section of Dimmer Panel Link)

Wiring Overview



Link Booster Wiring Detail



Wiring Notes:

1. Lutron recommends that the connection of the Link Booster to the Dimmer Panel Link be made inside the Link Booster. If a junction box (provided by others) is used instead, locate the box no more than 8 ft. (2.4 m) from the Link Booster.
2. Dimmer Panel Link wiring must not be run in the same raceway as line voltage (main voltage) wiring.
3. Neither the Dimmer Panel Link nor the Dimmer Panel Link Stub can exceed 2000 ft. (600 m) in length.
4. Data cable shield must be maintained throughout the Dimmer Panel Link. **DO NOT** connect the shield to earth ground.
5. Refer to the GRAFIK 6000 Installation Guide and Lutron job drawings for power cable and data cable (Dimmer Panel Link) wiring restrictions and limitations.
6. Dimmer Panel Link requires an LT-1, Link Termination Assembly, at each end of the Dimmer Panel Link and each end of the Dimmer Panel Link Stub.

Internet: www.lutron.com
E-mail: product@lutron.com

WORLD HEADQUARTERS

Lutron Electronics Co. Inc.,
7200 Suter Road, Coopersburg, PA 18036-1299 U.S.A.,
TOLL FREE: (800) 523-9466 (U.S.A., Canada, Caribbean), Tel: (610) 282-3800;
International 1-610-282-3800, Fax: (610) 282-3090; International 1-610-282-3090

ASIAN HEADQUARTERS

Lutron Asuka Co. Ltd.,
2F, Kowa Shiba-Koen Bldg., 1-11, Shiba-Koen 1 chome, Minato-ku, Tokyo, 105-0011 Japan,
TOLL FREE: (0120) 083417 (Japan), Tel: (03) 5405-7333;
International 81-3-5405-7333, Fax: (03) 5405-7496; International 81-3-5405-7496

EUROPEAN HEADQUARTERS

Lutron EA Ltd.,
Lutron House, 6 Sovereign Close, Wapping, London, E1 9HW, United Kingdom,
FREEPHONE: 0800 282107 (U.K.), Tel: (171) 702-0657;
International 44-171-702-0657, Fax: (171) 480-6899; International 44-171-480-6899

HONG KONG SALES OFFICE

Lutron GL (Hong Kong)
Unit 2911, 29th Floor, Bank of America Tower, Central, Hong Kong,
Tel: 2104-7733; International 852-2104-7733, Fax: 2104-7633; International 852-2104-7633

SINGAPORE

Lutron GL (Singapore)
1002 Tai Seng Ave., #02-2548 Tai Seng Ind. Estate, Singapore 534469,
Tel: 65 487 2820
Fax: 65 487 2825

WARRANTY

Lutron warrants each new unit to be free from defects in materials and workmanship and to perform under normal use and service. This warranty shall run only for a period of one year from the date of purchase and Lutron's obligations under this warranty are limited to remedying any defect or replacing any defective part and shall be effective only if the defective unit is shipped to Lutron postage prepaid within 12 months after purchase. Damage due to abuse, misuse, inadequate wiring or installation is not covered by this warranty.

In no event shall Lutron or any other seller be liable for any other loss or damage, including consequential or special damages that may arise through the use by a purchaser or others of this device and the purchaser assumes and will hold harmless Lutron in respect of all such loss.

Although every attempt is made to ensure that catalogue information is accurate and up-to-date, please check with Lutron before specifying or purchasing this equipment to confirm availability, exact specifications and suitability for your application.

This product may be covered by one or more of the following U.S. patents: 4,797,599; 4,803,380; 4,825,075; 4,893,062; 5,030,893; 5,191,265; 5,430,356; 5,463,286; 5,530,322; DES 308,647; DES 310,349; DES 311,170; DES 311,371; DES 311,382; DES 311,485; DES 311,678; DES 313,738; DES 335,867; DES 344,264 and corresponding foreign patents. U.S. and foreign patents pending.

Lutron, GRAFIK Eye, and GRAFIK 6000 are registered trademarks of Lutron Electronics Co., Inc.

© 1998 Lutron Electronics Co., Inc.

LUTRON®

Lutron Electronics Co., Inc.
Made and printed in U.S.A. 8/98
P/N 040-096 Rev.B