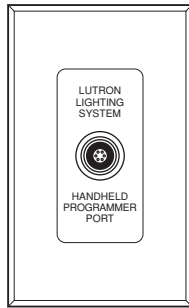


GRAFIK 6000®
LIGHTING CONTROL SYSTEM
Installation Instructions
Please Leave for Occupant

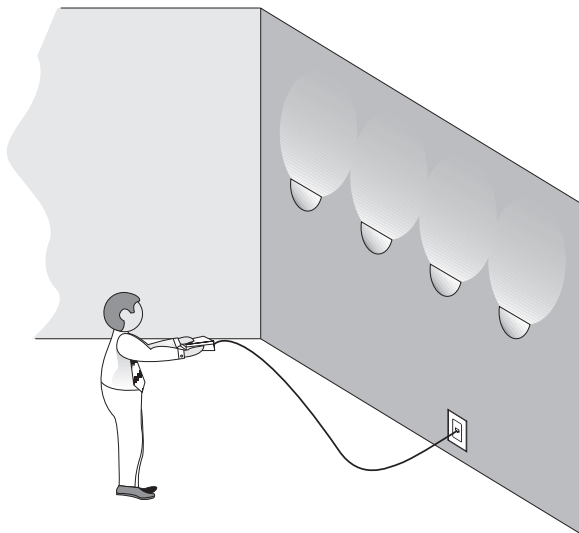
NOVA T★® Devices:
NTOMX-HHPJ
Handheld Programmer Port Walljack
(Class 2 Device)



NTOMX-HHPJ
Handheld Programmer Port Walljack

Description

The NTOMX-HHPJ allows the Handheld Programmer to locally access the Lighting Control System. The Handheld Programmer allows changes to be made to the stored preset scene settings for the Lighting Control System.



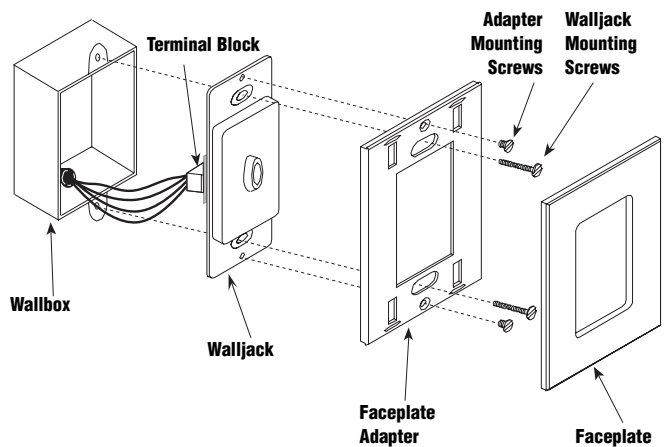
Important Notes

1. READ ALL INSTRUCTIONS CAREFULLY BEFORE STARTING INSTALLATION.
2. This device must be installed by a qualified electrician.
3. Install in accordance with the *National Electric Code®* and all applicable local regulations.
4. Turn power OFF at the control panel before installing the device. Do not connect high-voltage power to low voltage terminals. Improper wiring can result in personal injury or damage to the control or to other equipment.

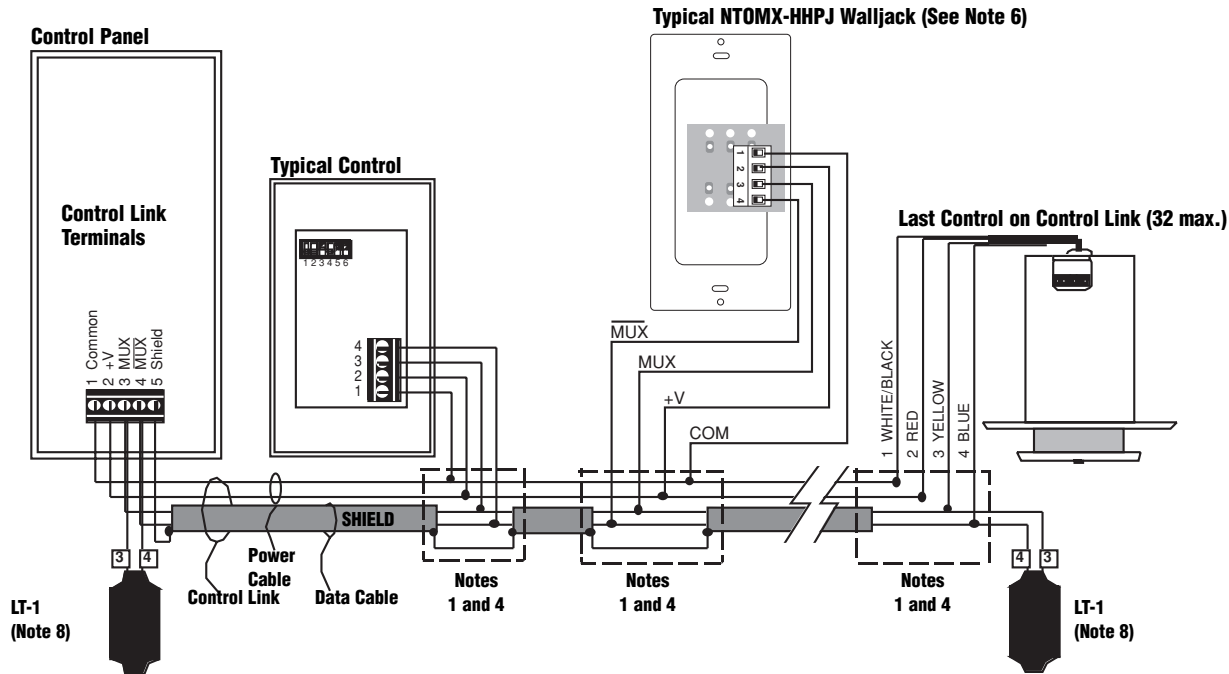
Installation

1. Prewiring: The Control Links require special wiring considerations. Refer to the User's Guide and Lutron job drawings for wiring restrictions and limitations that apply to your specific project.
2. Turn power OFF.
WARNING: Always turn off the power to the control panel before doing any work. Failure to do so can result in serious personal injury and damage to equipment.
3. Separate faceplate from faceplate adapter by pulling from the center of the top of the faceplate. Unscrew faceplate adapter. Set aside.
4. Strip insulation from wires so 3/8" bare wire is exposed. This device does not get an address and does not count as one of the 32 controls allowed on the Control Link.
5. Connect wiring as shown in Typical User Interface Link Wiring Diagram. Confirm all connections.
6. Mount device as shown in the Mounting Diagram using the mounting screws provided. Screw on faceplate adapter and snap on faceplate.
7. Restore power to the control panel **after** the installation of the system is complete.

Mounting Diagram



Typical Control Link Wiring Diagram



Wiring Notes:

1. Connections to Control Link are made inside backbox or in a junction box (provided by others) located no more than 8 feet from walljack.
2. Control Link wiring must not be run in the same raceway as 120VAC or 277VAC.
3. Total Control Link length is not to exceed 2000 feet unless signal is boosted using a link booster (MX-RPTR).
4. Data cable shield must be maintained throughout the Control Link. **DO NOT** connect the shield to earth ground.
5. Refer to the GRAFIK 6000 Installation Guide and Lutron job drawings for power cable and data cable (Control Link) wiring restrictions and limitations.
6. NTOMX-HHPJ, Handheld Programmer Port Walljack **does not** count as one of the 32 controls on the link and does not get an address.
7. Only one Handheld Programmer can be plugged into the Lighting Control System at a time.
8. Control Link requires a LT-1, Link Termination Assembly, at each end of the Control Link. Refer to the LT-1 instruction sheet for location and installation information.

Internet: www.lutron.com
E-mail: product@lutron.com

WORLD HEADQUARTERS
Lutron Electronics Co. Inc.,
TOLL FREE: (800) 523-9466
(U.S.A., Canada, Caribbean)
Tel: (610) 282-3800;
International ++1-610-282-3800
Fax: (610) 282-1243;
International ++1-610-282-1243

GREAT BRITAIN
Lutron EA Ltd.,
Tel: (171) 702-0657;
International ++44-(0)207-702-0657
Fax: (171) 480-6899;
International ++44-(0)207-480-6899

GERMANY
Lutron Electronics GmbH
Tel: (309) 710-4590;
International ++49-30-97-10-4590
Fax: (309) 710-4591;
International ++49-30-97-10-4591

FRANCE
Lutron LTC
International ++33-(0)1-44-70-71-86
Int'l Fax: ++33-(0)1-44-70-70-97

ASIAN HEADQUARTERS
Lutron Asuka Corporation (Japan)
Tel: (03) 5405-7333;
International ++81-3-5405-7333
Fax: (03) 5405-7496;
International ++81-3-5405-7496

HONG KONG SALES OFFICE
Lutron GL (Hong Kong)
Tel: 2104-7733;
International ++852-2104-7733
Fax: 2104-7633;
International ++852-2104-7633

SINGAPORE
Lutron GL (Singapore)
Tel: ++65-220-4666
Fax: ++65-220-4333

LIMITED WARRANTY

Lutron will, at its option, repair or replace any unit that is defective in materials or manufacture within one year after purchase. For warranty service, return unit to place of purchase or mail to Lutron at 7200 Suter Rd., Coopersburg, PA 18036-1299, postage pre-paid.

This warranty is in lieu of all other express warranties, and the implied warranty of merchantability is limited to one year from purchase. This warranty does not cover the cost of installation, removal or reinstallation, or damage resulting from misuse, abuse, or improper or incorrect repair, or damage from improper wiring or installation. This warranty does not cover incidental or consequential damages. Lutron's liability on any claim for damages arising out of or in connection with the manufacture, sale, installation, delivery, or use of the unit shall never exceed the purchase price of the unit.

This warranty gives you specific legal rights, and you may also have other rights which vary from state to state. Some states do not allow limitations on how long an implied warranty lasts, so the above limitation may not apply to you. Some states do not allow the exclusion or limitation of incidental or consequential damages, so the above limitation or exclusion may not apply to you. This product may be covered under the following U.S. patent: 4,835,343 and corresponding foreign patents.

Nomex is a registered trademark of E.I. Du Pont de Nemours and Company.
National Electrical Code is a registered trademark of National Fire Protection Association.
Lutron, Nova T*, and GRAFIK 6000 are registered trademarks of Lutron Electronics Co., Inc.
© 2002 Lutron Electronics Co., Inc.

LUTRON®

Lutron Electronics Co., Inc.
Made and printed in U.S.A. 9/02
P/N 040-097 Rev. B