



Operating Instructions
Please Leave for Occupant

Description

The Sivoia® Contact Closure Interface (SV-CCI-GRP) controls a user selectable GROUP of shades. This interface control can be used with devices that have momentary relay type DRY contact closure outputs. The SV-CCI-GRP **cannot** be used with devices providing open collector transistor outputs. For open collector transistor output devices, use the SV-GRXI. One SV-CCI-GRP is required for each GROUP of shades that is to be controlled together. Shade GROUPS are configured on each Motor Drive Unit (MDU). One DRY contact closure is required for each control function (for example: OPEN is one function, CLOSE is another function). To program the PRESETS, maintain the appropriate closure for a minimum of 4 seconds.

Important Notes

1. Install in accordance with all applicable regulations.
2. **Do not connect high voltage power to device.** Improper wiring can result in personal injury or damage to the device or to other equipment.
3. The SV-CCI-GRP interface is wired to any single MDU in the group it is controlling.
4. Up to 9 keypads and/or interfaces can be parallel wired to 1 MDU.
5. Do not connect a contact closure input to more than one SV-CCI-GRP.
6. The SV-CCI-GRP requires an input closure duration between 0.1–2 seconds.

Installation

1. Mount the SV-CCI-GRP interface to any indoor surface using the supplied screws. Mount in a clean, dry location where temperature will remain between 0°C and 40°C. Do not mount in an area of excessive moisture.
2. Run the control wire (2 conductor, 22–24AWG) from the MDU to the SV-CCI-GRP interface. See Figure A.
3. Strip insulation 3/8" from wires.

SV-CCI-GRP Contact Closure Interface 24V~, Class 2/PELV

4. Connect Cntrl 1 on the SV-CCI-GRP to CNTRL1 on the MDU and Cntrl 2 on the SV-CCI-GRP to CNTRL2 on the MDU using the 2 conductor control wire
5. Connect each contact closure input with respect to common as shown below in the wiring diagram.

Operation

When a contact closure is selected, the SV-CCI-GRP will activate the corresponding control function.

Easy Preset Programming

1. Adjust shade(s) to desired position.
2. Close and hold the contact closure for a minimum of 4 seconds. "Pr" will be displayed on all MDU's in that group indicating the contact closure was programmed.
Note: The Open and Close contact closures can also be reprogrammed as presets.


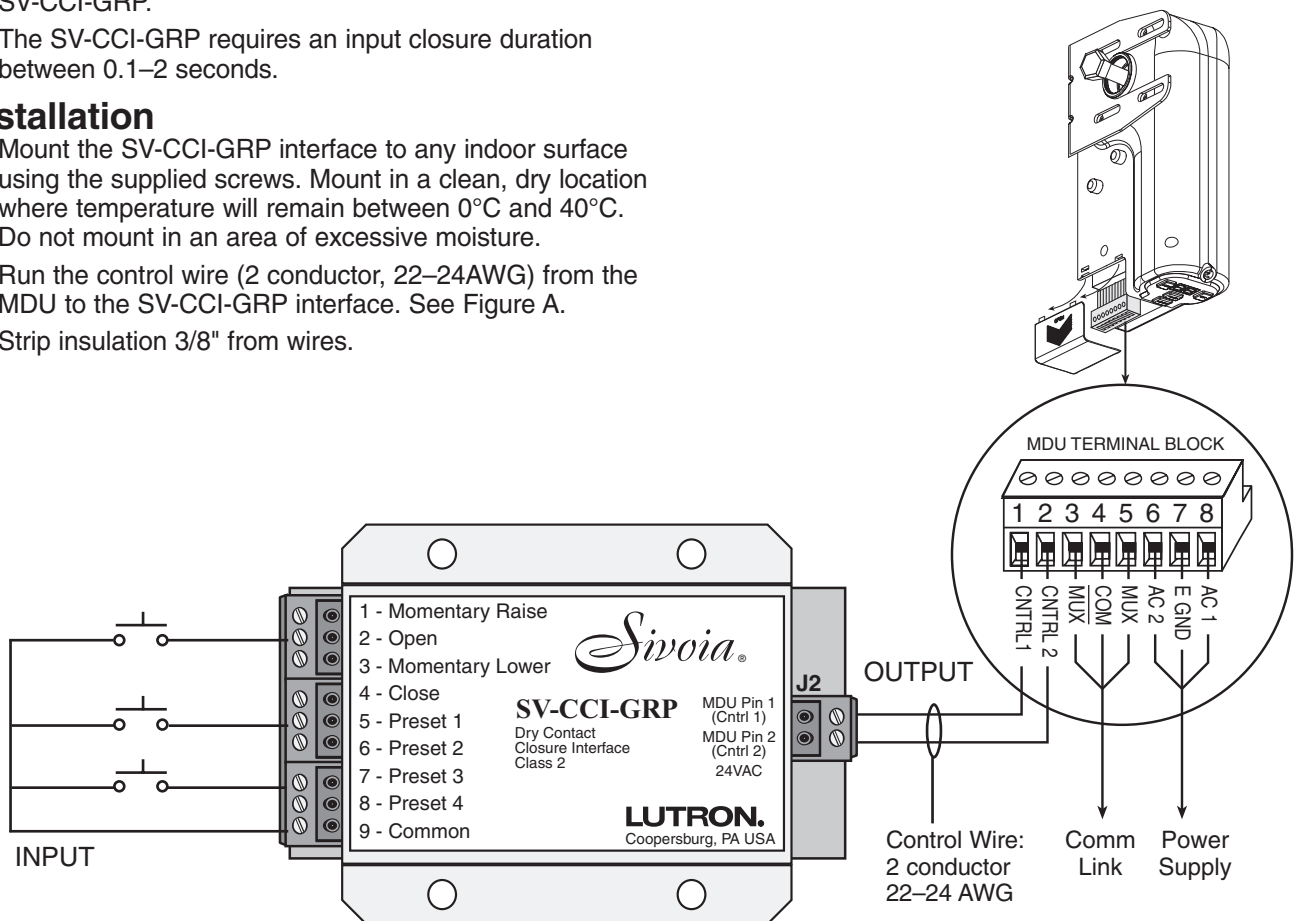
 **Note:** Closing any contact closure while the shade(s) are moving will stop the shade(s).

Figure A

Motor Drive Unit (MDU)



Troubleshooting

Problem	Causes	Remedies
Contact closures inputs do not operate shade(s).	<i>Sivoia</i> ® Motor Drive Unit power is OFF.	Restore power.
	The SV-CCI-GRP may be wired incorrectly to the <i>Sivoia</i> Motor Drive Unit.	Ensure SV-CCI-GRP is wired correctly to the <i>Sivoia</i> Motor Drive Unit as per the wiring diagram above.
Presets are not being saved.	The closure for the desired PRESET was held for less than 4 seconds.	Apply and maintain the contact closure of the desired PRESET for at least 4 seconds.
	The SV-CCI-GRP may be wired incorrectly to the <i>Sivoia</i> Motor Drive Unit.	Ensure SV-CCI-GRP is wired correctly to the <i>Sivoia</i> Motor Drive Unit as per the wiring diagram above.
	<i>Sivoia</i> Motor Drive Unit(s) has its presets locked out.	Refer to the <i>Sivoia</i> Motor Drive Unit installation sheet.
Open and Raise closures close or lower the shade: Close and Lower closures open or raise the shade.	The SV-CCI-GRP wires are reversed.	Ensure SV-CCI-GRP is wired correctly to the <i>Sivoia</i> Motor Drive Unit as per the wiring diagram above.

Technical Assistance

If you need assistance, call the toll-free **VIMCO Technical Support Center**. Please provide exact model number when calling.
 (800) 446-1503 (U.S.A., Canada, and the Caribbean)
 Other countries call (804) 752-3300
 Fax (804) 752-3366
 Visit our web site at www.vimco.com

Limited Warranty

VIMCO will, at its option, repair or replace any unit that is defective in materials or manufacture within one year after purchase. For warranty service, return unit to place of purchase or mail to VIMCO at 11520 Sun Shade Lane, Ashland, VA 23005, postage prepaid.

THIS WARRANTY IS IN LIEU OF ALL OTHER EXPRESS WARRANTIES, AND THE IMPLIED WARRANTY OF MERCHANTABILITY IS LIMITED TO ONE YEAR FROM PURCHASE. THIS WARRANTY DOES NOT COVER THE COST OF INSTALLATION, REMOVAL, OR REINSTALLATION, OR DAMAGE RESULTING FROM MISUSE, ABUSE, OR DAMAGE RESULTING FROM IMPROPER WIRING OR INSTALLATION. THIS WARRANTY DOES NOT COVER INCIDENTAL OR CONSEQUENTIAL DAMAGES. VIMCO'S LIABILITY ON ANY CLAIM FOR DAMAGES ARISING OUT OF OR IN CONNECTION WITH THE MANUFACTURE, SALE, INSTALLATION, DELIVERY, USE, REPAIR, OR REPLACEMENT OF THE SHADING SYSTEM SHALL NEVER EXCEED THE PRICE PAID FOR THE SYSTEM.

This warranty gives you specific legal rights, and you may also have other rights which vary from state to state. Some states do not allow the exclusion or limitation of incidental or consequential damages or limitations on how long an implied warranty may last, so the above limitations may not apply to you.

This product may be covered under one or more of the following U.S. patents: 5,671,387; 5,848,634; 6,100,659; 6,201,364; 6,313,588; 6,346,781; and corresponding foreign patents. U.S. and foreign patents pending.

Lutron, *Sivoia* and the Sunburst logo are registered trademarks of Lutron Electronics Co., Inc. VIMCO, and shading solutions by VIMCO are trademarks of Virginia Iron & Metal Company, Inc. © 2003 Virginia Iron & Metal Company, Inc.