

Window Covering Keypad for IGC Controller

Please Leave for Occupant

WCK-3B-IGC WCK-6B-IGC

Maximum Ratings: 12VDC, 50mA

Description

The IGC keypad is a low-voltage contact closure device that interfaces with SOMFY® IGC or IGC/3N1 shade controllers. These keypads offer Raise, Lower, and Stop functions of shades that are controlled by the corresponding IGC controller. The three button version (WCK-3B-IGC) is capable of interfacing with a single IGC or IGC/3N1 controller. The six button version (WCK-6B-IGC) can interface with two separate IGC or IGC/3N1 controllers. These keypads are low-voltage devices that require a wallbox. The IGC keypad is gangable with Lutron® Claro® or Nova T★® devices. Proper separation of low-voltage and line voltage devices is required. Keypads must be connected to shade controller using Class 2/ PELV wiring methods per the National Electrical Code. Check with your local inspector for the code requirements and wiring practices in your area. Lutron offers precision product color matching.

Important Notes

1. Install in accordance with all applicable regulations.
2. **Do not connect high voltage power to device.** Improper wiring can result in personal injury or damage to the device or to other equipment.

Cleaning Instructions

To clean keypad wipe with a clean damp cloth. **DO NOT** use any chemical cleaning solutions.

Installation

1. Turn OFF power feeding shade controller(s).
2. Run the control wire (3 conductor, 22-24 AWG) from the IGC controller to the wallbox for the keypad. See Figure A or B.
3. Strip the insulation 1/2" from the wires.
4. Using the supplied wire connectors:
 - For a WCK-3B-IGC or the lower section of a WCK-6B-IGC only:
 - Connect the YELLOW wire to the wire going to the Common terminal on the IGC controller.
 - Connect the GRAY wire to the wire going to the Down terminal on the IGC controller.
 - Connect the VIOLET wire to the wire going to the Up terminal on the IGC controller.
 - For a WCK-6B-IGC upper section only:
 - Connect the YELLOW/WHITE wire to the wire going to the Common terminal on the IGC controller.
 - Connect the GRAY/WHITE wire to the wire going to the Down terminal on the IGC controller.
 - Connect the VIOLET/WHITE wire to the wire going to the Up terminal on the IGC controller.
5. Using two screws, securely mount the keypad to the wallbox. See Figure C.
6. Install wallplate.
7. Restore power feeding the shade controller(s).

Figure A - WCK-3B-IGC Keypad wiring

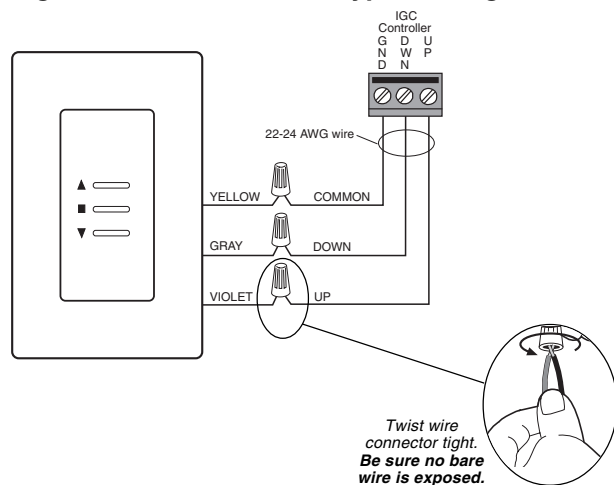


Figure B - WCK-6B-IGC Keypad wiring

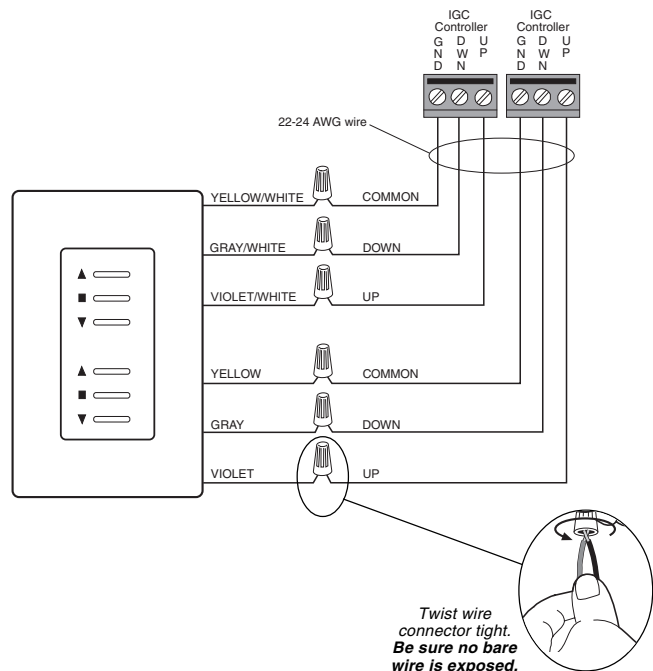
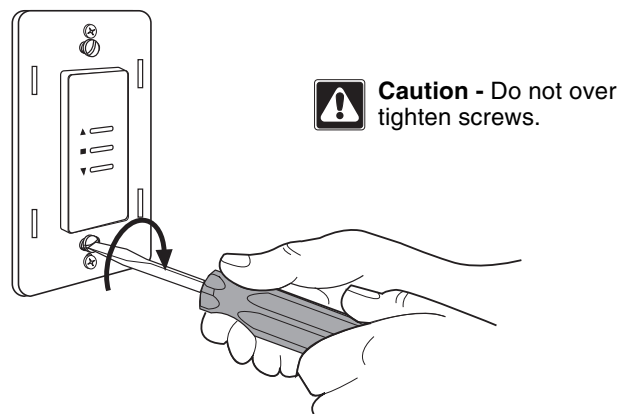
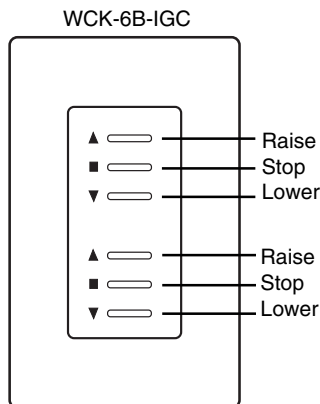
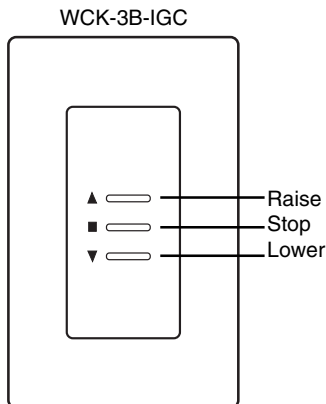


Figure C - Keypad mounting



Operation



Control Specifications

1. Switches incorporate diode logic specifically designed for use with Somfy® IGC and IGC/3N1.
2. Switches are momentary, normally open.

Troubleshooting

Problem	Causes	Remedies
Buttons on keypad do not operate shade(s).	IGC Shade Controller power is OFF.	Restore power.
	Keypad may be wired incorrectly to the IGC shade controller.	Wire keypad according to wiring diagram.
Raise button lowers the shade; Lower button raises the shade(s).	Keypad is wired incorrectly to the IGC shade controller.	Wire keypad according to wiring diagram.
Not all shades in system respond correctly to keypad.	Shade system is not wired correctly.	Wire shade system according to manufacturer's instructions.

Technical Assistance

If you need assistance, call the toll-free **Vimco Technical Support Center**. Please provide exact model number when calling.
 (800) 446-1503 (U.S.A., Canada, and the Caribbean)
 Other countries call (804) 752-3300
 Fax (804) 752-3366
 Visit our web site at www.vimco.com

Limited Warranty

Vimco will, at its option, repair or replace any unit that is defective in materials or manufacture within one year after purchase. For warranty service, return unit to place of purchase or mail to VIMCO at 11520 Sun Shade Lane, Ashland, VA 23005, postage prepaid.

THIS WARRANTY IS IN LIEU OF ALL OTHER EXPRESS WARRANTIES, AND THE IMPLIED WARRANTY OF MERCHANTABILITY IS LIMITED TO ONE YEAR FROM PURCHASE. THIS WARRANTY DOES NOT COVER THE COST OF INSTALLATION, REMOVAL, OR REINSTALLATION, OR DAMAGE RESULTING FROM MISUSE, ABUSE, OR DAMAGE RESULTING FROM IMPROPER WIRING OR INSTALLATION. THIS WARRANTY DOES NOT COVER INCIDENTAL OR CONSEQUENTIAL DAMAGES. VIMCO'S LIABILITY ON ANY CLAIM FOR DAMAGES ARISING OUT OF OR IN CONNECTION WITH THE MANUFACTURE, SALE, INSTALLATION, DELIVERY, USE, REPAIR, OR REPLACEMENT OF THE SHADING SYSTEM SHALL NEVER EXCEED THE PRICE PAID FOR THE SYSTEM.

This warranty gives you specific legal rights, and you may also have other rights which vary from state to state. Some states do not allow the exclusion or limitation of incidental or consequential damages or limitations on how long an implied warranty may last, so the above limitations may not apply to you.

This product may be covered under one or more of the following U.S. patents: 4,835,343; DES 311,678; DES 344,068; DES 378,814; and corresponding foreign patents. Lutron, Claro, and Nova T★ are registered trademarks of Lutron Electronics Co., Inc. The Vimco logo is a registered trademark of Virginia Iron & Metal Company, Inc. SOMFY is a registered trademark of Somfy Corporation.
 © 2001 VIMCO