

# Window Covering Keypad

Operating Instructions  
Please Leave for Occupant

## WCK-3B-CC WCK-6B-CC

Maximum Ratings: 30VDC, 200mA

### Description

The WCK-3B-CC and WCK-6B-CC window covering keypads are low-voltage contact closure devices that interface with various shade controllers through their A/V terminals. These keypads offer Raise, Lower, and Stop functions of shades that are controlled by the corresponding shade controller. The three button version (WCK-3B-CC) is capable of interfacing to a single shade controller. The six button version (WCK-6B-CC) can interface to two separate shade controllers. These keypads are low-voltage devices that are designed to fit into a standard wallbox. The keypads are gangable with Lutron® Claro® or Nova T★® devices. Proper separation of low-voltage and line voltage devices is required. Keypads must be connected to shade controller using Class 2/ PELV wiring methods per the National Electrical Code. Check with your local inspector for the code requirements and wiring practices in your area. Lutron offers precision product color matching.

### Important Notes

1. Install in accordance with all applicable regulations.
2. **Do not connect high voltage power to device.** Improper wiring can result in personal injury or damage to the device or to other equipment.

### Cleaning Instructions

To clean keypad wipe with a clean damp cloth. **DO NOT** use any chemical cleaning solutions.

### Installation

1. Turn OFF power feeding shade controller.
2. Run the control wire (4 conductor, 22-24 AWG) from the shade controller to the wallbox for the keypad. See Figure A or B.
3. Strip the insulation 1/2" from the wires.
4. Using the supplied wire connectors:
  - For a WCK-3B-CC or the lower section of a WCK-6B-CC only:
    - Connect the YELLOW wire to the wire going to the Common terminal on the shade controller.
    - Connect the GRAY wire to the wire going to the Down terminal on the shade controller.
    - Connect the BROWN wire to the wire going to the Stop terminal on the shade controller.
    - Connect the VIOLET wire to the wire going to the Up terminal on the shade controller.
  - For a WCK-6B-CC upper section only:
    - Connect the YELLOW/WHITE wire to the wire going to the Common terminal on the shade controller.
    - Connect the GRAY/WHITE wire to the wire going to the Down terminal on the shade controller.
    - Connect the BROWN/WHITE wire to the wire going to the Stop terminal on the shade controller.
    - Connect the VIOLET/WHITE wire to the wire going to the Up terminal on the shade controller.
5. Using two screws, securely mount the keypad to the wallbox. See Figure C.
6. Install wallplate (purchased separately).
7. Restore power feeding the shade controller(s).

Figure A - WCK-3B-CC Keypad wiring

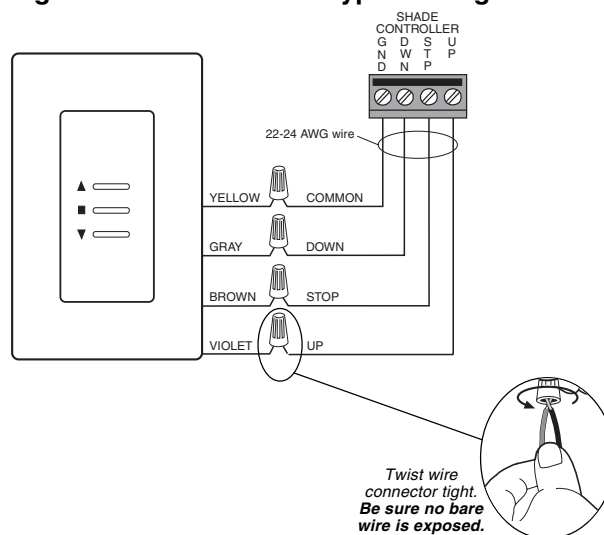


Figure B - WCK-6B-CC Keypad wiring

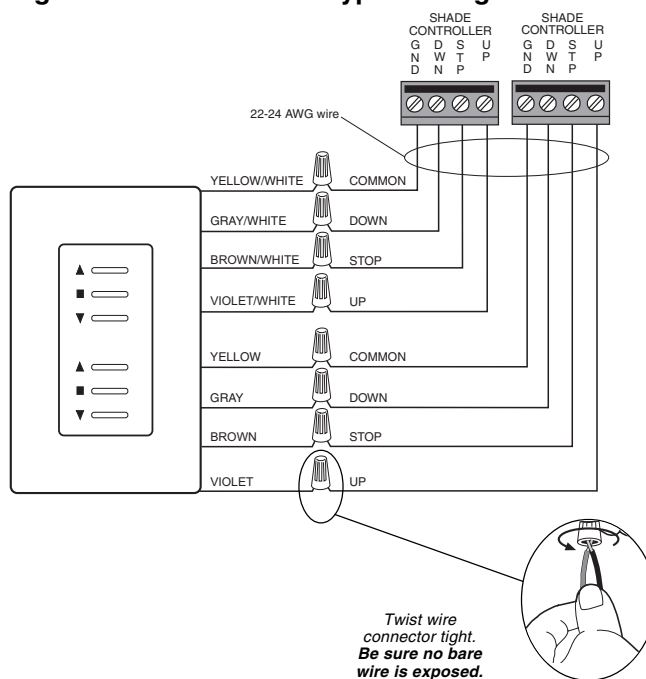
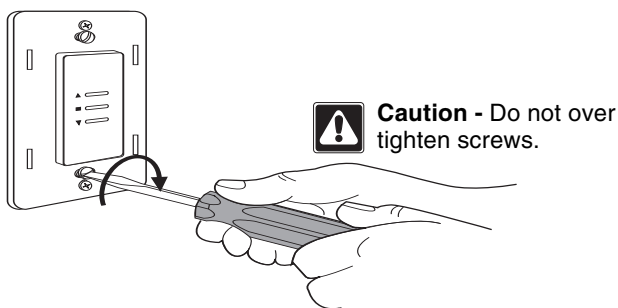
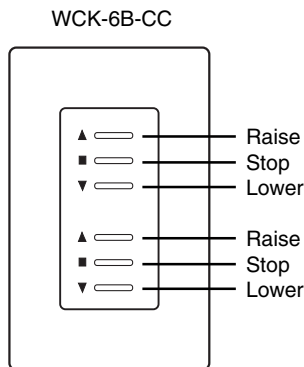
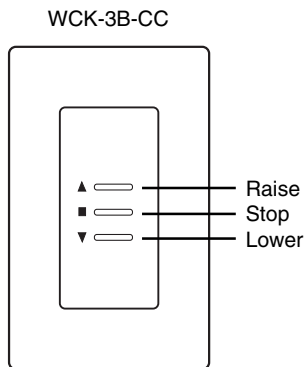


Figure C - Keypad mounting



# Operation



## Control Specification

Switches are momentary, normally open.

## Troubleshooting

Problem	Causes	Remedies
Buttons on keypad do not operate shade(s).	Shade controller power is OFF.	Restore power.
	Keypad may be wired incorrectly to the shade controller.	Wire keypad according to wiring diagram.
Raise button lowers the shade(s); Lower button raises the shade(s).	Keypad is wired incorrectly to the shade controller.	Wire keypad according to wiring diagram.
Not all shades in a system respond correctly to keypad.	Shade system is not wired correctly.	Wire shade system according to manufacturer's instructions.

## Technical Assistance

If you need assistance, call the toll-free **Vimco Technical Support Center**. Please provide exact model number when calling.  
 (800) 446-1503 (U.S.A., Canada, and the Caribbean)  
 Other countries call (804) 752-3300  
 Fax (804) 752-3366  
 Visit our web site at [www.vimco.com](http://www.vimco.com)

## Limited Warranty

Vimco will, at its option, repair or replace any unit that is defective in materials or manufacture within one year after purchase. For warranty service, return unit to place of purchase or mail to VIMCO at 11520 Sun Shade Lane, Ashland, VA 23005, postage prepaid.  
**THIS WARRANTY IS IN LIEU OF ALL OTHER EXPRESS WARRANTIES, AND THE IMPLIED WARRANTY OF MERCHANTABILITY IS LIMITED TO ONE YEAR FROM PURCHASE. THIS WARRANTY DOES NOT COVER THE COST OF INSTALLATION, REMOVAL, OR REINSTALLATION, OR DAMAGE RESULTING FROM MISUSE, ABUSE, OR DAMAGE RESULTING FROM IMPROPER WIRING OR INSTALLATION. THIS WARRANTY DOES NOT COVER INCIDENTAL OR CONSEQUENTIAL DAMAGES. VIMCO'S LIABILITY ON ANY CLAIM FOR DAMAGES ARISING OUT OF OR IN CONNECTION WITH THE MANUFACTURE, SALE, INSTALLATION, DELIVERY, USE, REPAIR, OR REPLACEMENT OF THE SHADING SYSTEM SHALL NEVER EXCEED THE PRICE PAID FOR THE SYSTEM.**  
 This warranty gives you specific legal rights, and you may also have other rights which vary from state to state. Some states do not allow the exclusion or limitation of incidental or consequential damages or limitations on how long an implied warranty may last, so the above limitations may not apply to you.  
 This product may be covered under one or more of the following U.S. patents: 4,835,343; DES 311,678; DES 344,068; DES 378,814; and corresponding foreign patents. Lutron, Claro, and Nova T★ are registered trademarks of Lutron Electronics Co., Inc. The Vimco logo is a registered trademark of Virginia Iron & Metal Company, Inc.  
 © 2001 Vimco