

Operating Instructions
Please Leave for Occupant

SVQ-OCIT
Infrared Hand-held
Remote Control

Description

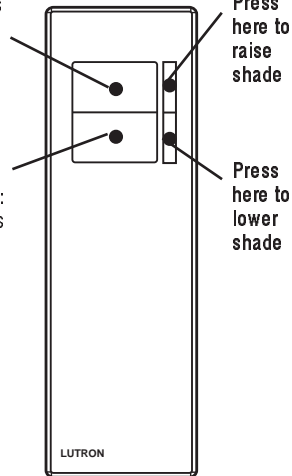
The SVQ-OCIT Infrared Hand-held Remote Control provides remote shade operation from the palm of your hand. The Infrared Hand-held Remote Control transmits signals to Sivoia[®] or Sivoia QED™ Electronic Drive Units. The Infrared Hand-held Remote Control is compatible with learnable remote controls. To access advanced features, please refer to the Sivoia QED Wiring and Programming Guide or the Sivoia QED Technical Reference Guide.

Operation

Point the Infrared Hand-held Remote Control at the Sivoia or Sivoia QED IR receiver, then use the buttons as shown below.

Press Open button once:
Shade opens and goes to upper limit.

Press Close button once:
Shade closes and goes to lower limit.



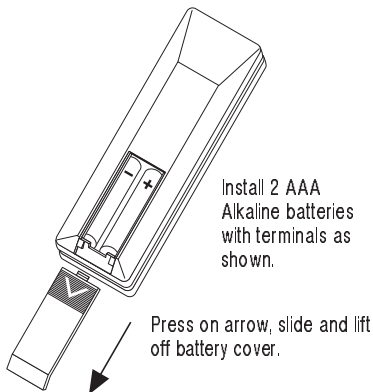
Note: Pressing any button while the shade is moving will stop the shade.

Battery Replacement

The SVQ-OCIT Infrared Hand-held Remote Control uses 2 AAA batteries which are pre-installed (see diagram). For best results use **Energizer[®]** brand alkaline batteries. Do not use NiCad batteries.

To replace batteries:

1. Remove the battery cover.
2. Replace with 2 size AAA alkaline batteries as shown.
3. Replace the battery cover.



The Infrared Hand-held Remote Control is safe for use around baths and spas.

DO NOT SUBMERGE IN WATER.

Troubleshooting

Problem	Causes	Remedies
Infrared Hand-held Remote Control has no effect on the Electronic Drive Unit (EDU).	Electronic Drive Unit power is OFF.	Restore power.
	Dead, low, or no batteries in the Infrared Hand-held Remote Control.	Install new batteries.
	Infrared Hand-held Remote Control is too far away from the IR receiver.	Try moving closer to the shade(s) you wish to control. If an IR receiver is installed on the Electronic Drive Unit, verify that it is properly installed and the IR receiver is not obstructed (e.g. by curtains, fascia, drapes).
	Batteries inserted incorrectly.	Install batteries per diagram.

Technical Assistance

Lutron Shading Solutions by VIMCO
11520 Sun Shade Lane
Ashland, Virginia 23005

www.lutron.com
24/7 service and support:
call: 1-800-446-1503
fax: 1-804-752-3366

email: shadinginfo@lutron.com

©2004 LUTRON Electronics Co., Inc.

Limited Warranty

Lutron Shading Solutions by VIMCO offers an 8-year limited warranty for our shading systems. Please contact customer service or visit our website for a complete warranty statement.

Lutron Shading Solutions by VIMCO reserves the right to make improvements or changes to these products without prior notice. Although every attempt is made to ensure that this information is accurate and up to date, please check with Lutron Shading Solutions by VIMCO to confirm product availability, the latest specifications, and suitability for your application.

These products may be covered under one or more of the following U.S. patents: 5,848,634; DES 391,924; and corresponding foreign patents. US and foreign patents pending. Lutron, the Sunburst logo, and Sivoia are registered trademarks, and Sivoia QED and "Lutron controls your light" are trademarks of Lutron Electronics Co., Inc.