

Features

GRX-IO

- Integrates a *GRAFIK Eye* lighting control system with equipment that has contact-closure I/O, including:
 - Motion and occupant sensors.
 - Timeclocks and push buttons.
 - Motorized projection screens, skylights, window shades, and movable walls.
 - AV equipment.
 - Security systems.
- May be programmed to control any combination of one to eight *GRAFIK Eye* 3000 or 4000 Series control units.

Inputs/Outputs:

- Provides five inputs and five outputs.
- Provides both normally open (NO) and normally closed (NC) contacts.
- Using the inputs, contact closures in other equipment can operate control units to:
 - Select scenes.
 - Run sequences (loop through scenes).
 - Lock control units.
 - Activate panic mode (lights go full on).
 - Adjust scenes to reflect status of movable walls.
 - Turn lights on or off based on room occupancy.
- Using the outputs, scene changes in control units can:
 - Trigger outputs to control other equipment.
 - Provide status feedback to other equipment.

Four Types of Configuration:

1. **4S Scene Selection Control:** Provides for remote control of *GRAFIK Eye* 3000 or 4000 Series control units. Can be used to select any group of four scenes and turn the system and all corresponding lighting off.

Maintain Outputs: Allows the selection of up to 5 contact closures to other manufacturers' A/V equipment.

Momentary Outputs: Allows the selection of projection screens requiring momentary output closures.

2. **4Q Special Function Control**

Sequencing: Cycles the preset light levels from scene 1 through scene 4 (or 5 through 16) and back to scene 1 (or 5) looping indefinitely and using the programmed fade times for each scene.

Zone Lockout: Prevents modifications to set light levels on the *GRAFIK Eye* control unit. Only temporary changes can be made.

Scene Lockout: Prevents changing of the selected scene or preset levels on all *GRAFIK Eye* control unit(s) and wallstations.

Panic: Activates scene 16 on assigned *GRAFIK Eye* control unit(s) and places them in Scene Lockout. Toggle of this closure will return controls to their status before Panic was activated.

3. **4PS Partition Control:** Allows independent (partition closed) or parallel (partition open) operation of multiple *GRAFIK Eye* control units.

4. **OS Special Control**

OS1 Occupant Sensor Scene 1/Off: maintained contact so occupancy sensor can turn ON assigned *GRAFIK Eye* control unit(s) while still allowing scene changes once room is entered.

Note: Use 4S function if occupant sensor provides a momentary closure.

OS2 Occupant Sensor Off Only: Occupant must turn lights on manually, while still allowing energy-saving benefits.

OMX-IO

- Integrates *GRAFIK* 5000/6000/7000, *LCP128*, and *Softswitch128* systems with equipment that has contact-closure I/O, including:
 - Motion and occupant sensors.
 - Timeclocks and push buttons.
 - Motorized projection screens, skylights, window shades, and movable walls.
 - AV equipment.
 - Security systems.
- Use the *GRAFIK* Systems processor panel to set up the OMX-IO interface for different modes, functions, and momentary/maintained inputs and outputs.

Inputs/Outputs:

- Provides five inputs and five outputs.
- Provides both normally open (NO) and normally closed (NC) contacts.
- Using the inputs, contact closures in other equipment can operate controls to:
 - Select scenes.
 - Turn lights on or off based on room occupancy.
- Using the outputs, scene changes in control units can:
 - Trigger outputs to control other equipment.
 - Provide status feedback to other equipment.

Mounting

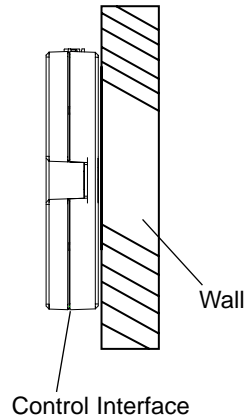
1. Mount the Control Interface directly on a wall, as shown in the Mounting Diagram, using screws (not included). When mounting, provide sufficient space for connecting cables.

The unit can also be placed in the LUT-19AV-1U AV rack using the screws provided with the unit. The LUT-19AV-1U will hold up to four units.

If conduit is desired for wiring, the LUT-5x10-ENC can be used to mount one unit.

2. Strip 3/8 in. (10 mm) of insulation from wires. Each Data Link terminal will accept up to two #18 AWG (1.0 mm²) wires.
3. Connect wiring as shown in the Wiring Diagram (next page). STAT LED blinks once per second when properly connected, and once every seven seconds when data link is installed incorrectly.

Mounting Diagrams

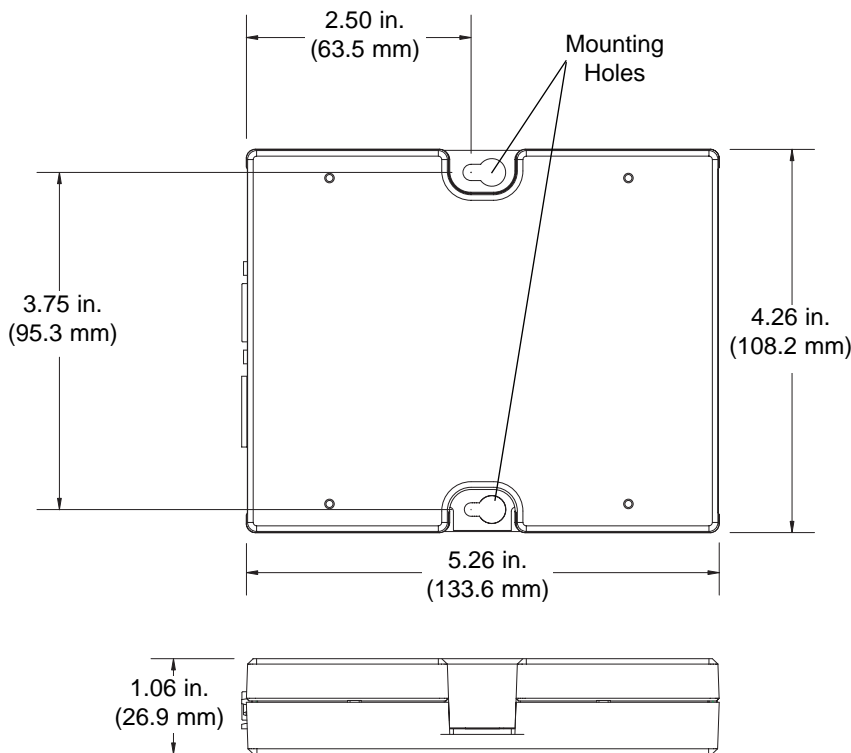


LUT-19AV-1U

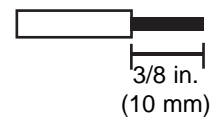


LUT-5x10-ENC

Dimensions



Wire Strip Length

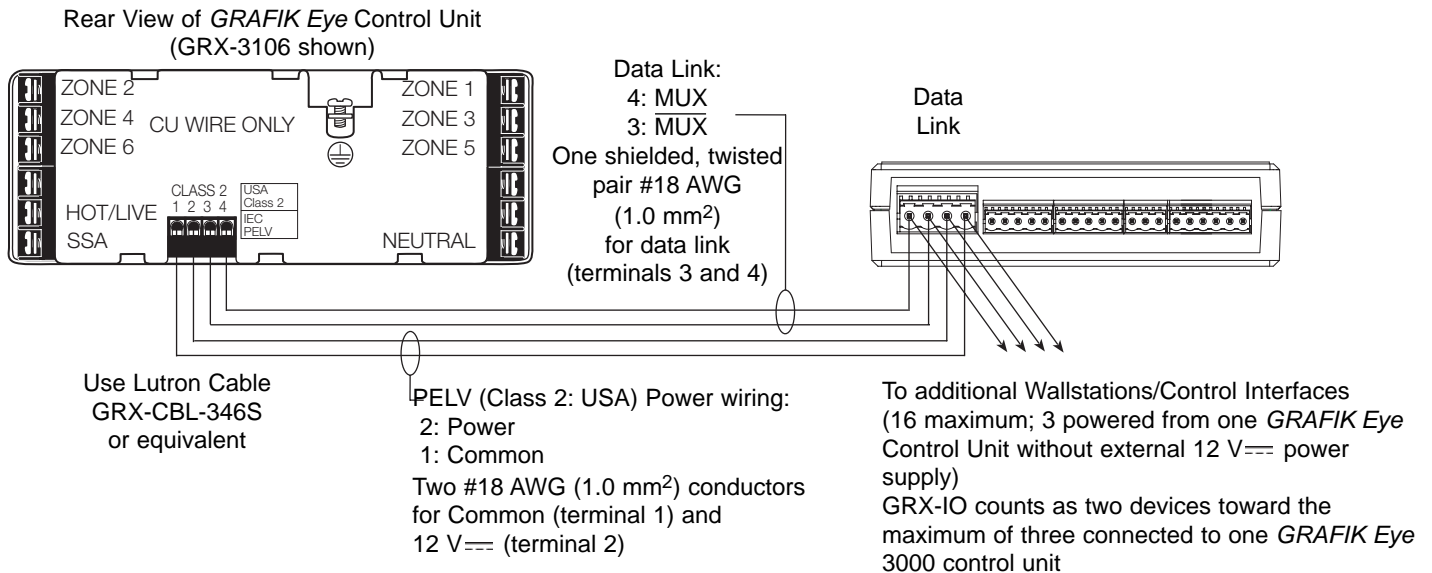


Low-Voltage PELV (Class 2: USA) Wiring

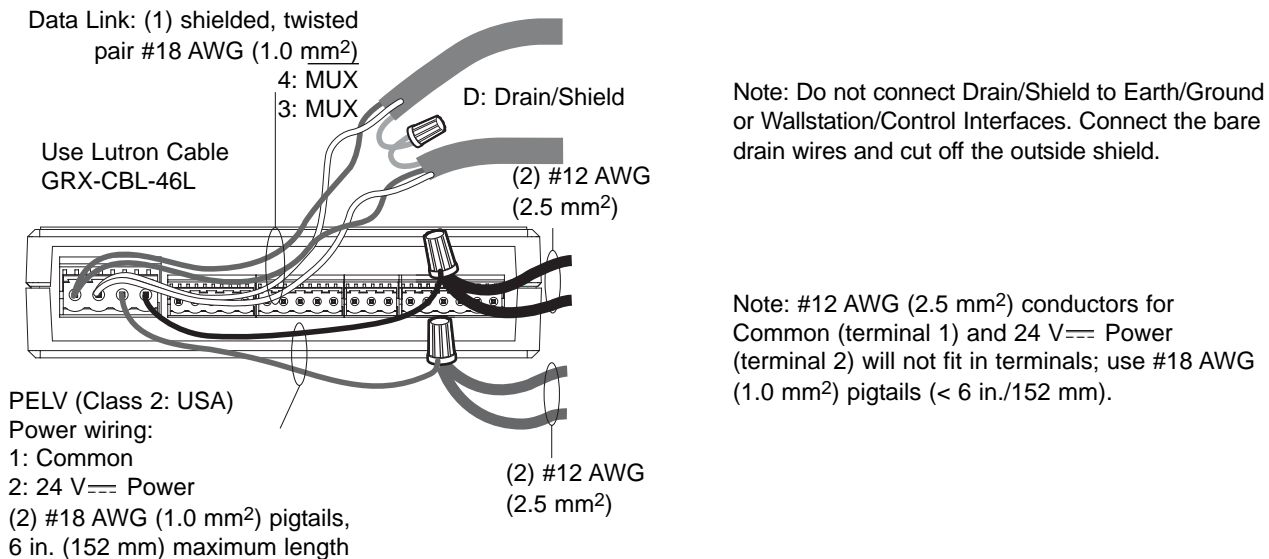
Important Notes

- Install in accordance with all applicable regulations.
- **CAUTION:** Do **not** connect line voltage/mains power to the device. Improper wiring can result in personal injury or damage to the device or to other equipment.
- This control can use PELV (Class 2: USA) wiring methods. Check with your local electrical inspector for compliance with national and local codes and wiring practices.
- Make daisy-chain connections to the low-voltage PELV (Class 2: USA) Data Link terminals on the end of the Control Interface.
- Do not use T-taps. Run all wires in and out of the terminal block, or use a short pigtail, as shown below.
- Each terminal accepts up to two #18 AWG (1.0 mm²) wires.

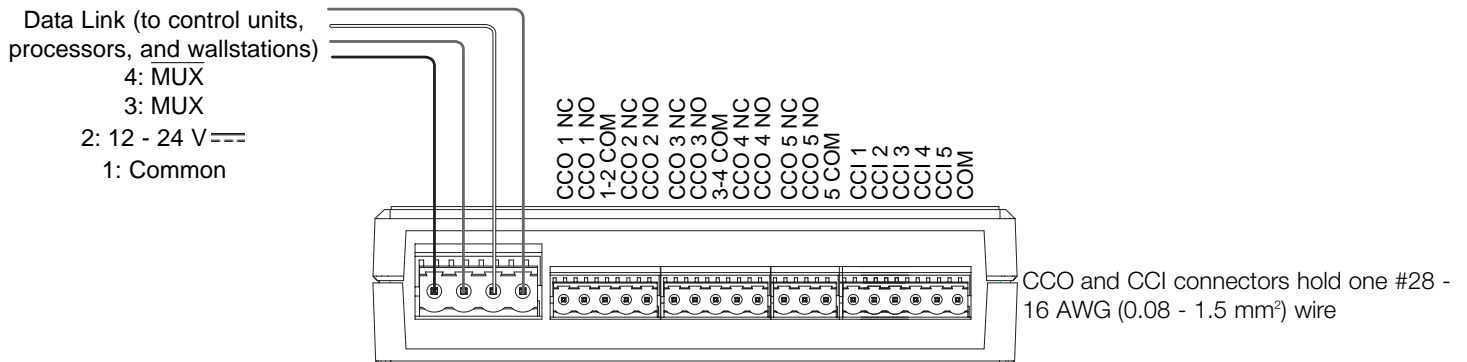
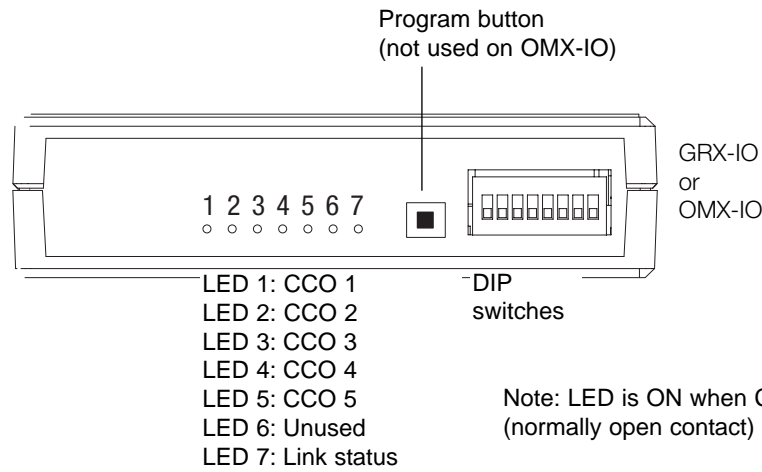
GRX-IO Control Interface Wiring: GRX-3000 or GXI-3000 Control Unit



OMX-IO Control Interface Wiring: Control Station Device Link (Data Link connection shown) or GRX-IO Control Interface Wiring: GRX-4000 Control Unit



Low-Voltage PELV (Class 2: USA) Wiring



Contact Closure Ratings

Five Input Terminals

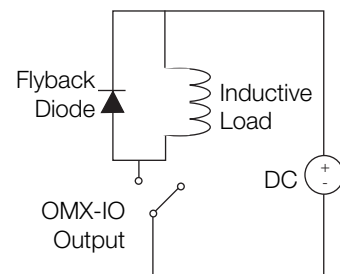
- Accept maintained inputs and momentary inputs with 40 msec minimum pulse times.
- Off-state leakage current must be less than 100 uA.
- Open circuit voltage: 24 V=== maximum.
- Inputs must be dry contact closure, solid state, open collector, or active-low (NPN)/active high (PNP) output.
 - Open collector NPN or active-low on-state voltage must be less than 2 V=== and sink 3.0 mA.
 - Open collector PNP or active-high on-state voltage must be greater than 12 V=== and source 3.0 mA.

Five Output Terminals

- Provide maintained or momentary (1-second) outputs.
- The GRX-IO and OMX-IO are not rated to control unclamped, inductive loads. Inductive loads include, but are not limited to, relays, solenoids, and motors. To control these types of equipment, a flyback diode must be used (DC voltages only). See diagram.

Output Ratings

Supply Voltage	Resistive Load
0 - 24 V===	1.0 A
0 - 24 V~	0.5 A



GRX-IO Operating Modes and DIP Switch Settings

- Operating mode can be selected by setting DIP switches 5 through 8. Inputs and outputs may be maintained or momentary as indicated.
- May be programmed to control any combination of one to eight *GRAFIK Eye* 3000 or 4000 Series control units.
- For scene selection and special function modes, one control unit or a group of control units may be assigned to be operated by the GRX-IO.
- With partitioning and occupant sensor modes, a different control unit or group of control units may be assigned for each I/O closure.

Mode	DIP Switches				Contact closures invoke:					Inputs:	Outputs:
	5	6	7	8	Input 1	Input 2	Input 3	Input 4	Input 5		
Scene Selection					Scene 1	Scene 2	Scene 3	Scene 4	Off	Maintained or momentary	Maintained
					Scene 5	Scene 6	Scene 7	Scene 8	Off		
					Scene 9	Scene 10	Scene 11	Scene 12	Off		
					Scene 13	Scene 14	Scene 15	Scene 16	Off		
					Scene 1	Scene 2	Scene 3	Scene 4	Off	Maintained or momentary	Momentary ¹
					Scene 5	Scene 6	Scene 7	Scene 8	Off		
					Scene 9	Scene 10	Scene 11	Scene 12	Off		
				Scene 13	Scene 14	Scene 15	Scene 16	Off			
Special Functions					Sequence scenes 1-4	Zone lockout allows temporary adjustments. No changes to preset scenes.	Scene lockout disables scene buttons.	"Panic" mode turns lights full on (to scene 16), locks Control Units.	Not used	Maintained only	Maintained
					Sequence scenes 5-16					Momentary only	Maintained
					Sequence scenes 1-4						
					Sequence scenes 5-16						
Partitioning ²					Wall 1	Wall 2	Wall 3	Wall 4	Wall 5	Momentary only	Maintained
					Wall 1	Wall 2	Wall 3	Wall 4	Wall 5	Maintained only	Maintained
Occupant Sensor					Sensor input toggles Control Units between scene 1 and off.					Maintained only ³	Maintained
					Sensor input turns Control Units off. Occupant must turn lights on.					Maintained only ³	Maintained

Switch up (On)

Switch down (Off)

¹ Scenes trigger the position of motorized window shades or projection screens.

² Movable walls toggle control units between "in combination" and "independent" modes of operation. Each input is set up to operate the control units associated with a movable wall (or walls).

- When a motorized wall opens, the wall's switch contact closes. The control units now work "in combination." Scene changes at one control unit occur on all the associated control units.
- When a wall closes, the switch contact opens. The control units return to independent operation.

³ If an occupant sensor input provides momentary closure, use scene selection mode.

GRX-IO Addressing

Up to 16 controls can be configured in a system. Each control must be assigned a unique address. Set DIP switches 1 through 4 of the GRX-IO to one of the following for the specified address.

Address	DIP Switches	Location	Address	DIP Switches	Location
	1 2 3 4			1 2 3 4	
1			9		
2			10		
3			11		
4			12		
5			13		
6			14		
7			15		
8			16		

OMX-IO Operating Modes and DIP Switch Settings

Please refer to the individual documentation for *LCP128*, *Softswitch128*, and *GRAFIK 7000* for detailed information for each of those systems.

Output Closure Type DIP Switch Setting (switch 8)

Momentary (pulsed)

Note: overrides LCP panel setup

Maintained (held)

OMX-IO Addressing

Address	DIP Switches	Address	DIP Switches	Address	DIP Switches
	1 2 3 4 5		1 2 3 4 5		1 2 3 4 5
1		11		21	
2		12		22	
3		13		23	
4		14		24	
5		15		25	
6		16		26	
7		17		27	
8		18		28	
9		19		29	
10		20		30	
				31	
				32	

Switch up (On)

Switch down (Off)

Features

Note: All *GRAFIK Eye* wallstations must be assigned a unique address.

1. **Put the GRX-IO in “Talk” mode.** Press and hold the program button for 3 to 5 seconds until:
 - the first CCO Output LED blinks, **OR**
 - the first four CCO Output LEDs begin to cycle.
2. **Identify the *GRAFIK Eye* Control Unit(s) that will “Listen” to this GRX-IO.** Press and hold the Control Unit’s Scene 1 button for 3 seconds until the LEDs flash in unison, showing that the Control Unit is “listening.” Repeat for each Control Unit that should listen to this GRX-IO.
- 3a. **4S or 4Q Functions: Take the GRX-IO out of “Talk” mode.** Press and hold the program button for 3 to 5 seconds until the CCO Output LEDs stop cycling or blinking.
- 3b. **4PS or OS functions: Each input must be programmed separately.**
 - Press the program button to cycle through each input. These represent a partition switch, occupant sensor, etc. The corresponding CCO Output LED will blink.
 - Program *GRAFIK Eye* Control Unit(s) to communicate with the GRX-IO by using the above procedure.
 - When the fifth input is programmed, pressing the program button on the GRX-IO will take the GRX-IO out of “Talk” mode.

Note: To make a *GRAFIK Eye* Control Unit stop “listening” to a GRX-IO, put the GRX-IO in “Talk” mode, then press and hold the OFF button on the *GRAFIK Eye* Control Unit until the LEDs stop blinking. Take the GRX-IO out of “Talk” mode.

Internet: www.lutron.com
E-mail: product@lutron.com

**World Headquarters
USA**

Lutron Electronics Co., Inc.
7200 Suter Road, Coopersburg, PA
18036-1299
TEL +1.610.282.3800
FAX +1.610.282.1243
Toll-Free 1.888.LUTRON1
Technical Support 1.800.523.9466

Brazil

Lutron BZ do Brasil Ltda.
AV, Brasil, 239, Jardim America
Sao Paulo-SP, CEP: 01431-000,
Brazil
TEL +55.11.3885.5152
FAX +55.11.3887.7138

North and South America

Technical Hotlines

USA, Canada, Caribbean:
1.800.523.9466

Mexico: +1.888.235.2910

Central/South America:

+1.610.282.6701

European Headquarters

United Kingdom

Lutron EA Ltd.
6 Sovereign Close, London, E1W 3JF
United Kingdom
TEL +44.(0)20.7702.0657
FAX +44.(0)20.7480.6899
FREEPHONE (UK) 0800.282.107
Technical support
+44.(0)20.7680.4481

France

Lutron LTC, S.A.R.L.
90 rue de Villiers, 92300
Levallois-Perret France
TEL +33.(0)1.41.05.42.80
FAX +33.(0)1.41.05.01.80
FREEPHONE 0800.90.12.18

Germany

Lutron Electronics GmbH,
Landsberger Allee 201, 13055
Berlin, Germany
TEL +49.(0)30.9710.4590
FAX +49.(0)30.9710.4591
FREEPHONE 00800.5887.6635

Italy

Lutron LDV, S.r.l.
FREEPHONE 800.979.208

Spain, Barcelona

Lutron CC, S.R.L.
Gran Via del Carlos III, 84, planta 3a,
08028, Barcelona, Spain
TEL +34.93.496.57.42
FAX +34.93.496.57.01
FREEPHONE 0900.948.944

Spain, Madrid

Lutron CC, S.R.L.
Calle Orense, 85, 28020
Madrid, Spain
TEL +34.91.567.84.79
FAX +34.91.567.84.78
FREEPHONE 0900.948.944

Asian Headquarters

Singapore

Lutron GL Ltd.
15 Hoe Chiang Road, #07-03 Euro
Asia Centre, Singapore 089316
TEL +65.6220.4666
FAX +65.6220.4333

China, Beijing

Lutron GL Ltd.
Beijing Representative Office
5th Floor, China Life Tower
No. 16 Chaowai Street, Chaoyang
District, Beijing 100020 China
TEL +86.10.5877.1817
FAX +86.10.5877.1816

China, Guangzhou

Lutron GL Ltd. Guangzhou
Representative Office
Suite A09, 23/F Tower A,
Centre Plaza
161 Lin He Xi Lu, Tian He District,
Guangzhou 510620 China
TEL +86.20.2885.8266
FAX +86.20.2885.8366

China, Shanghai

Lutron GL Ltd., Shanghai
Representative Office
Suite 07, 39th Floor, Plaza 66
1266 Nan Jing West Road,
Shanghai, 200040 China
TEL +86.21.6288.1473
FAX +86.21.6288.1751

China, Hong Kong

Lutron GL Ltd.
Unit 2808, 28/F,
248 Queen's Road East
Wanchai, Hong Kong
TEL +852.2104.7733
FAX +852.2104.7633

Japan

Lutron Asuka Co. Ltd.
No. 16 Kowa Building, 4F, 1-9-20
Akasaka, Minato-ku,
Tokyo 107-0052 Japan
TEL +81.3.5575.8411
FAX +81.3.5575.8420
FREEPHONE 0120.083.417

Asia Technical Hotlines

Northern China: 10.800.712.1536

Southern China: 10.800.120.1536

Hong Kong: 800.901.849

Indonesia: 001.803.011.3994

Japan: +81.3.5575.8411

Macau: 0800.401

Singapore: 800.120.4491

Taiwan: 00.801.137.737

Thailand: 001.800.120.665853

Other countries: +65.6220.4666

Lutron Electronics Co., Inc.

One Year Limited Warranty

For a period of one year from the date of purchase, and subject to the exclusions and restrictions described below, Lutron warrants each new unit to be free from manufacturing defects. Lutron will, at its option, either repair the defective unit or issue a credit equal to the purchase price of the defective unit to the Customer against the purchase price of comparable replacement part purchased from Lutron. Replacements for the unit provided by Lutron or, at its sole discretion, an approved vendor may be new, used, repaired, reconditioned, and/or made by a different manufacturer.

If the unit is commissioned by Lutron or a Lutron approved third party as part of a Lutron commissioned lighting control system, the term of this warranty will be extended, and any credits against the cost of replacement parts will be prorated, in accordance with the warranty issued with the commissioned system, except that the term of the unit's warranty term will be measured from the date of its commissioning.

EXCLUSIONS AND RESTRICTIONS

This Warranty does not cover, and Lutron and its suppliers are not responsible for:

1. Damage, malfunction or inoperability diagnosed by Lutron or a Lutron approved third party as caused by normal wear and tear, abuse, misuse, incorrect installation, neglect, accident, interference or environmental factors, such as (a) use of incorrect line voltages, fuses or circuit breakers; (b) failure to install, maintain and operate the unit pursuant to the operating instructions provided by Lutron and the applicable provisions of the National Electrical Code and of the Safety Standards of Underwriter's Laboratories; (c) use of incompatible devices or accessories; (d) improper or insufficient ventilation; (e) unauthorized repairs or adjustments; (f) vandalism; or (g) an act of God, such as fire, lightning, flooding, tornado, earthquake, hurricane or other problems beyond Lutron's control.
2. On-site labor costs to diagnose issues with, and to remove, repair, replace, adjust, reinstall and/or reprogram the unit or any of its components.
3. Equipment and parts external to the unit, including those sold or supplied by Lutron (which may be covered by a separate warranty).
4. The cost of repairing or replacing other property that is damaged when the unit does not work properly, even if the damage was caused by the unit.

EXCEPT AS EXPRESSLY PROVIDED IN THIS WARRANTY, THERE ARE NO EXPRESS OR IMPLIED WARRANTIES OF ANY TYPE, INCLUDING ANY IMPLIED WARRANTIES OF FITNESS FOR A PARTICULAR PURPOSE OR MERCHANTABILITY. LUTRON DOES NOT WARRANT THAT THE UNIT WILL OPERATE WITHOUT INTERRUPTION OR BE ERROR FREE.

NO LUTRON AGENT, EMPLOYEE OR REPRESENTATIVE HAS ANY AUTHORITY TO BIND LUTRON TO ANY AFFIRMATION, REPRESENTATION OR WARRANTY CONCERNING THE UNIT. UNLESS AN AFFIRMATION, REPRESENTATION OR WARRANTY MADE BY AN AGENT, EMPLOYEE OR REPRESENTATIVE IS SPECIFICALLY INCLUDED HEREIN, OR IN STANDARD PRINTED MATERIALS PROVIDED BY LUTRON, IT DOES NOT FORM A PART OF THE BASIS OF ANY BARGAIN BETWEEN LUTRON AND CUSTOMER AND WILL NOT IN ANY WAY BE ENFORCEABLE BY CUSTOMER.

IN NO EVENT WILL LUTRON OR ANY OTHER PARTY BE LIABLE FOR EXEMPLARY, CONSEQUENTIAL, INCIDENTAL OR SPECIAL DAMAGES (INCLUDING, BUT NOT LIMITED TO, DAMAGES FOR LOSS OF PROFITS, CONFIDENTIAL OR OTHER INFORMATION, OR PRIVACY; BUSINESS INTERRUPTION; PERSONAL INJURY; FAILURE TO MEET ANY DUTY, INCLUDING OF GOOD FAITH OR OF REASONABLE CARE; NEGLIGENCE, OR ANY OTHER PECUNIARY OR OTHER LOSS WHATSOEVER), NOR FOR ANY REPAIR WORK UNDERTAKEN WITHOUT LUTRON'S WRITTEN CONSENT ARISING OUT OF OR IN ANY WAY RELATED TO THE INSTALLATION, DEINSTALLATION, USE OF OR INABILITY TO USE THE UNIT OR OTHERWISE UNDER OR IN CONNECTION WITH ANY PROVISION OF THIS WARRANTY, OR ANY AGREEMENT INCORPORATING THIS WARRANTY, EVEN IN THE EVENT OF THE FAULT, TORT (INCLUDING NEGLIGENCE), STRICT LIABILITY, BREACH OF CONTRACT OR BREACH OF WARRANTY OF LUTRON OR ANY SUPPLIER, AND EVEN IF LUTRON OR ANY OTHER PARTY WAS ADVISED OF THE POSSIBILITY OF SUCH DAMAGES.

NOTWITHSTANDING ANY DAMAGES THAT CUSTOMER MIGHT INCUR FOR ANY REASON WHATSOEVER (INCLUDING, WITHOUT LIMITATION, ALL DIRECT DAMAGES AND ALL DAMAGES LISTED ABOVE), THE ENTIRE LIABILITY OF LUTRON AND OF ALL OTHER PARTIES UNDER THIS WARRANTY ON ANY CLAIM FOR DAMAGES ARISING OUT OF OR IN CONNECTION WITH THE MANUFACTURE, SALE, INSTALLATION, DELIVERY, USE, REPAIR, OR REPLACEMENT OF THE UNIT, OR ANY AGREEMENT INCORPORATING THIS WARRANTY, AND CUSTOMER'S SOLE REMEDY FOR THE FOREGOING, WILL BE LIMITED TO THE AMOUNT PAID TO LUTRON BY CUSTOMER FOR THE UNIT. THE FOREGOING LIMITATIONS, EXCLUSIONS AND DISCLAIMERS WILL APPLY TO THE MAXIMUM EXTENT ALLOWED BY APPLICABLE LAW, EVEN IF ANY REMEDY FAILS ITS ESSENTIAL PURPOSE.

TO MAKE A WARRANTY CLAIM

To make a warranty claim, promptly notify Lutron within the warranty period described above by calling the Lutron Technical Support Center at (800) 523-9466. Lutron, in its sole discretion, will determine what action, if any, is required under this warranty. To better enable Lutron to address a warranty claim, have the unit's serial and model numbers available when making the call. If Lutron, in its sole discretion, determines that an on-site visit or other remedial action is necessary, Lutron may send a Lutron Services Co. representative or coordinate the dispatch of a representative from a Lutron approved vendor to Customer's site, and/or coordinate a warranty service call between Customer and a Lutron approved vendor.

This warranty gives you specific legal rights, and you may also have other rights which vary from state to state. Some states do not allow limitations on how long an implied warranty lasts, so the above limitation may not apply to you. Some states do not allow the exclusion or limitation of incidental or consequential damages, so the above limitation or exclusion may not apply to you.

Lutron, the sunburst logo, and GRAFIK Eye are registered trademarks and Architrave is a trademark of Lutron Electronics Co., Inc.

© 2007 Lutron Electronics Co., Inc.



Lutron Electronics Co., Inc.
Made and printed in U.S.A. 6/07
P/N 040-239 Rev. A

