

# Stanza™

## Installation Instructions

Occupant Copy Please Read

## SZ-CI-PRG Interface

### PELV (Class 2: USA) Device

15 – 24 V $\overline{=}$  200 mA

### Features

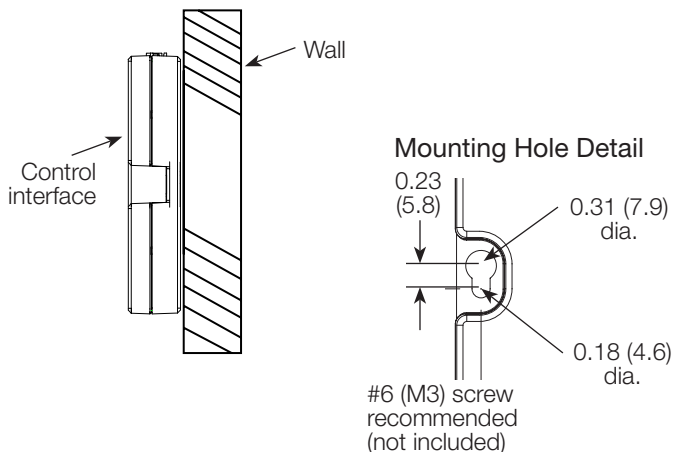
- Integrates a *Stanza* guest room lighting control system with a PC or other digital equipment that supports RS232 or Ethernet TCP/IP communication.
- Provides a basic serial string command set that allows a PC to monitor and control lighting. (Details provided in the Lutron Integration Protocol Guide.)
- Enables use of a PC to set up and commission *Stanza* systems.
- Expands *Stanza* basic system limits from 31 devices to 100 devices. (Limit one SZ-CI-PRG per system.)
- An SZ-CI-PRG is required for commissioning or system modification. Programmed and commissioned systems do not require a SZ-CI-PRG to be present for continued operation, unless third-party serial integration is required or the number of devices exceeds 31.
- Wireless connection allows easy mounting of interface near integration device.

### Mounting

1. Mount the interface directly on a wall, as shown in the Mounting Diagram, using two #6 (M3) screws (not included). When mounting, provide sufficient space for the antenna and connecting cables. Mount in an accessible location for convenient access to LEDs and electrical connections. The unit cannot be mounted in a full metal enclosure. If mounting in a metal enclosure is necessary, antenna must protrude out of a knockout or other hole. The antenna may not be removed or mounted remotely.
2. Connect wiring as shown in the Wiring Diagram. LED 1 (Power) lights continuously when the interface is powered.

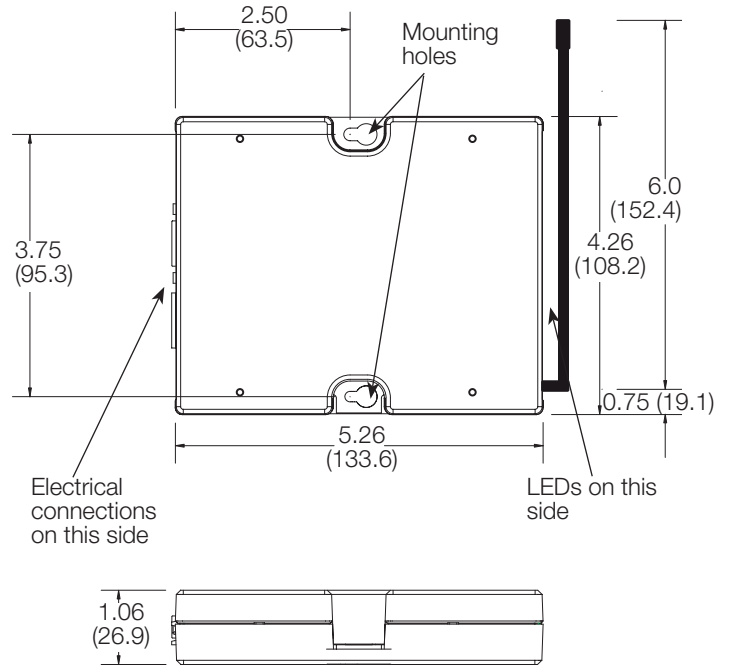
### Mounting Diagram

Dimensions are in inches (mm).



### Dimensions

Dimensions are in inches (mm).



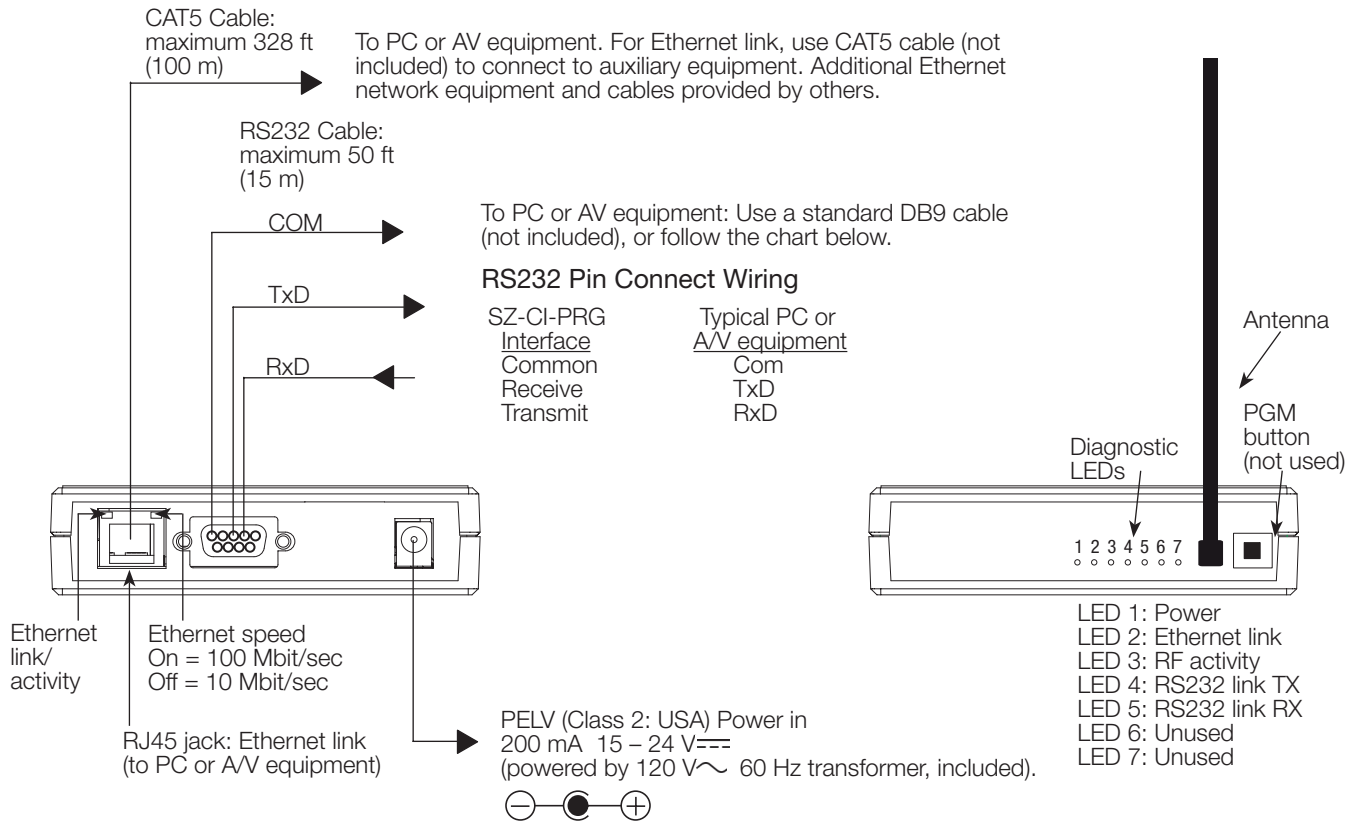
English

### FCC Information

**Note:** This equipment has been tested and found to comply with the limits for a Class B digital device, pursuant to Part 15 of the FCC rules. These limits are designed to provide reasonable protection against harmful interference in a residential installation. This equipment generates, uses, and can radiate radio frequency energy and, if not installed and used in accordance with the instructions, may cause harmful interference to radio or television reception. However, there is no guarantee that interference will not occur in a particular installation. If this equipment does cause harmful interference to radio or television reception, which can be determined by turning the equipment off and on, the user is encouraged to try to correct the interference by one or more of the following measures:

- Reorient or relocate the receiving antenna.
  - Increase the separation between the equipment and receiver.
  - Connect the equipment into an outlet on a circuit different from that to which the receiver is connected.
  - Consult the dealer or an experienced radio/TV technician for help.
- Caution:** Changes or modifications not expressly approved by Lutron Electronics Co. could void the user's authority to operate this equipment. Operation is subject to the following: (1) This device may not cause harmful interference, and (2) this device must accept any interference received, including interference that may cause undesired operation.

# Wiring Diagram



## Configuration

One SZ-CI-PRG control interface may be used per system. The SZ-CI-PRG must be configured as a part of the system using the Stanza™ PC software tool.

## Operation

The SZ-CI-PRG receives its operating settings via a device database transfer during system startup.

## Diagnostic LED Feedback

THE SZ-CI-PRG provides 5 LEDs for user feedback (LEDs 6 and 7 are unused):

### Power LED

LED 1 lights when the unit is powered.

### Ethernet Link LED

LED 2 will light when an active Ethernet link is detected, and flash when there is link activity.

### RF Activity LED

LED 3 will blink when the SZ-CI-PRG receives or transmits an RF packet.

### RS232 Link LEDs

LEDs 4 (transmit) and 5 (receive) will blink when the RS232 link is active.

## Ethernet Settings

The SZ-CI-PRG uses DHCP by default and can be communicated with using a Telnet client on port 23. The default user login name is "lutron" and the default password is "integration". Login name and password are case-sensitive. The Lutron Device IP program can be used to change the default IP address and port and change from DHCP to static addressing.

**Internet:** [www.lutron.com/stanza](http://www.lutron.com/stanza)

**e-mail:** [product@lutron.com](mailto:product@lutron.com)

**Technical support:** USA, Canada, Caribbean: 1.800.523.9466

Mexico: +1.888.235.2910

Central/South America: +1.610.282.6701

**Warranty:** 1-year limited warranty standard. 2-year parts and labor warranty, with 8-year pro-rated parts replacement on systems that include factory startup.

For complete warranty details, see the Start-Up/Warranty document provided with your Stanza system specification submittal information.

These products may be covered under one or more of the following U.S. patents: 5,838,226; 5,848,054; 5,905,442; 6,687,487; 6,803,728; and corresponding foreign patents. U.S. and foreign patents pending. Lutron and the sunburst logo are registered trademarks and Stanza is a trademark of Lutron Electronics Co., Inc.

© 2009 Lutron Electronics Co., Inc.

Lutron Electronics Co., Inc.

Made and printed in U.S.A.

P/N 040244 Rev. A 03.09

