

Energi Savr Node™ Programming Interface

Installation Instructions *Please Read Before Installing*

English

QSE-CI-AP-D

Operating voltage: 24 V $\overline{=}$ 40 mA
Uses two (2) power draw units on the QS link.


P/N 040-366c

Compatible Products

• Compatible with the entire *Energi Savr Node* product family (models starting with QSN- and QSNE-).

Product Description

The QSE-CI-AP-D is a programming interface designed to be used with *Energi Savr Node* units. It provides the capability to program *Energi Savr Node* units via an intuitive application for the *Apple iPhone* or *iPod touch* mobile digital devices. The *Energi Savr Node* app is required to program *Energi Savr Node* systems and is available from the *iTunes Store* online marketplace. **Note:** The *Energi Savr Node* app cannot be used to program the *Energi Savr Node* units when installed as part of a Quantum[®] system.

Important Notes

1. Install in accordance with all applicable regulations.
2. Intended for indoor use only. Operate between 0 °C and 60 °C (32 °F and 140 °F).
3. **NOTICE!** Do not connect the line voltage/mains power to device. Improper wiring can result in damage to the device or other equipment.
4. This control can use NEC[®] Class 2/PELV wiring methods. Check with your local electrical inspector for compliance with national and local codes and wiring practices.
5. Each terminal accepts up to two 18 AWG (1.0 mm²) wires.

Instructions

Getting Started

Please note that there are three methods for installing the *Energi Savr Node* Programming Interface.

- OPTION A - DIN rail: mounts to DIN rail
- OPTION B - Surface mount: using screws/anchors (not provided)
- OPTION C - Junction box: if required per municipal code

Installation

Mount the *Energi Savr Node* Programming Interface in a location where it can easily be located and accessed if service or troubleshooting is necessary. Please follow the steps below to ensure that the *Energi Savr Node* Programming Interface will perform as intended.

A DIN rail mounting

To clip the *Energi Savr Node* Programming Interface onto the DIN rail:

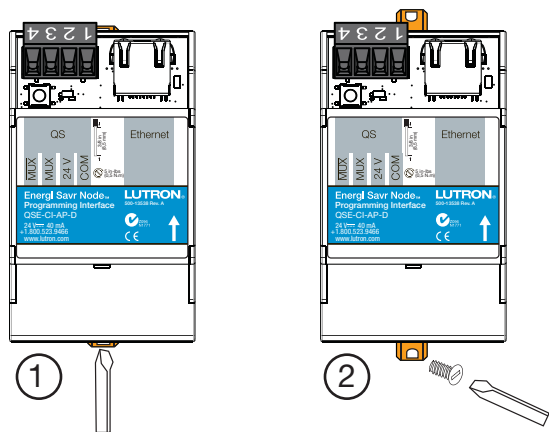
1. Hook the *Energi Savr Node* Programming Interface to the top of the DIN rail and pivot onto the DIN rail. **NOTE:** Occupies 3 DIN rail module spaces at 2 1/8 in (53.9 mm) wide.
2. Press until you hear the clips lock in place.

To remove the *Energi Savr Node* Programming Interface from the DIN rail:

1. Using a screwdriver, pull the orange clips until they latch in the unlocked position.

B Surface Mount

1. Using a screwdriver, extend the orange DIN rail mounting clips to the unlocked position (see diagram below) until you hear them click in place.
2. Secure *Energi Savr Node* Programming Interface to wall surface using appropriate screws and/or anchors (not provided).



C Junction Box

1. Select an enclosure with minimum dimensions of 8 in x 8 in x 4 in (203 mm x 203 mm x 102 mm) (L x W x D) or mount within Lutron[®] enclosure (LUT-8X8-ENC).
2. Mount enclosure as per manufacturer's instructions.
3. Mount DIN rail near the center of the enclosure.

To clip the *Energi Savr Node* Programming Interface onto the DIN rail:

1. Hook the *Energi Savr Node* Programming Interface to the top of the DIN rail and pivot onto the DIN rail.
2. Press until you hear the clips lock in place.

To remove the *Energi Savr Node* Programming Interface from the DIN rail:

1. Using a screwdriver, pull the orange clips until they latch in the unlocked position.

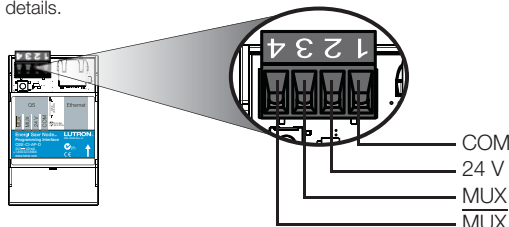
QS Link Wiring

Each terminal accepts up to two 18 AWG (1.0 mm²) wires. The total length of the control link must not exceed 2000 ft (610 m). Use twisted/shielded pair of 18 AWG (1.0 mm²) wire for data link. Cable is available from Lutron, see **QS Link Wiring Options** table for cable details. Check for compatibility in your area.

The *Energi Savr Node* Programming Interface counts as one device towards the 100 device QS link limit.

1. Connect terminals 1, 3 and 4 to all *Energi Savr Node* units.
2. Each *Energi Savr Node* Programming Interface is powered by the QS link.
3. Terminal 2 connection on the QS link provides 24 V $\overline{=}$ power.
4. Terminate the terminal 2 connection (24 V $\overline{=}$) so that each *Energi Savr Node* Programming Interface receives power from only one *Energi Savr Node* unit. Be sure not to exceed the maximum power draw units supplied by the *Energi Savr Node* unit.

NOTE: If additional power draw units are needed, the *Energi Savr Node* Programming Interface can also be powered by a QSPS power supply. See *Energi Savr Node* Programming Interface Specification Submittal for model numbers and additional details.



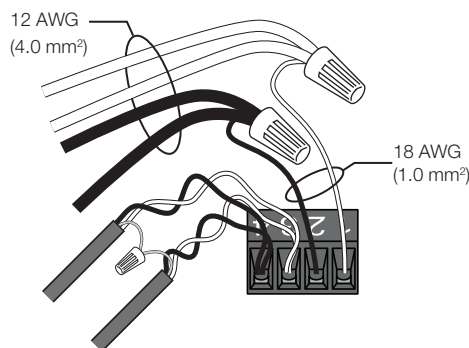
QS Link Wiring Options

Control Link Length	Wire Gauge (for terminals)	Available from Lutron in one cable:
Less than 500 ft (153 m)	Power (terminals 1 and 2): 1 pair 18 AWG (1.0 mm ²)	GRX-CBL-346S
	Data (terminals 3 and 4): 1 pair 22 AWG (0.5 mm ²), twisted and shielded*	
500 ft (153 m) to 2000 ft (610 m)	Power (terminals 1 and 2): 1 pair 12 AWG (4.0 mm ²)	GRX-CBL-46L
	Data (terminals 3 and 4): 1 pair 22 AWG (0.5 mm ²), twisted and shielded*	

* Alternate data-only cable: Use approved data link cable (22 AWG (0.5 mm²) twisted/shielded) from Belden, model #9461.

QS Link Terminal Connections

Each QS link terminal can accept only two 18 AWG (1.0 mm²) wires. Two 12 AWG (4.0 mm²) conductors will not fit. Connect as shown below using appropriate wire connectors.

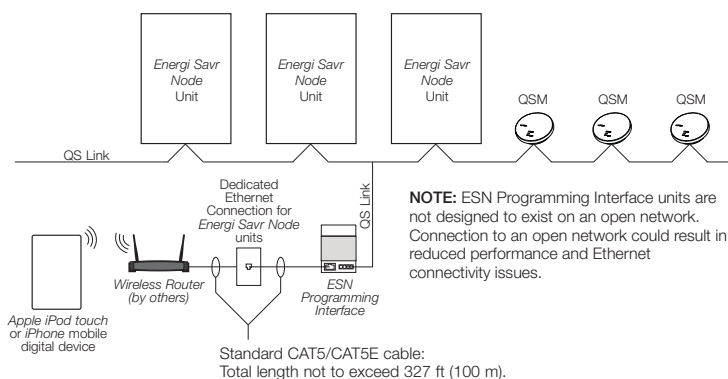


Programming

The *Energi Savr Node* Programming Interface requires an *Apple iPod touch* or *iPhone* mobile digital device in order to complete programming.

- Installations using an ESN Programming Interface for setup require the *Energi Savr Node* app for *Apple iPod touch* or *iPhone* to program *Energi Savr Node* units. The *Energi Savr Node* app is available from the *iTunes Store* online marketplace.
- *Apple iPod touch* or *iPhone* connection to the system is made via WiFi through a wireless router as shown below.
- It is recommended that the wireless router be located in close proximity to the space being controlled in order to have a successful wireless connection to the *Apple iPod touch* or *iPhone*.
- Please note that *Energi Savr Node* Programming Interfaces are not designed to exist on an open network. Connection to an open network could result in reduced performance and Ethernet connectivity issues.

NOTE: The *Energi Savr Node* Programming Interface cannot be used as part of a *Quantum* system.



NOTE: ESN Programming Interface units are not designed to exist on an open network. Connection to an open network could result in reduced performance and Ethernet connectivity issues.

LED Troubleshooting

LED	Normal Operation	Problem Indicator	Probable Cause
QS Status (LED 1)	Green : 1 flash per second	Green : 5 flashes per second	Bad data on QS link
		Off	No connection ever made
Ethernet	Green: Flashing	Off	Ethernet not connected
	Yellow: Continuous On	Off	Ethernet not connected

Technical Assistance

For questions concerning the installation or operation of this product, call the **Lutron Technical Support Center**. Please provide exact model number when calling.

U.S.A. and Canada (24 hrs / 7 days)
1.800.523.9466

Mexico 8am – 8pm ET
+1.888.235.2910

Other countries 8am – 8pm ET
+1.610.282.3800

United Kingdom
0800.282.107

Europe
+44.(0)20.7680.4481

www.lutron.com

Lutron Electronics hereby declares that QSE-CI-AP-D is in compliance with the essential requirements and other relevant provisions of EMC Directive. A copy of the DoC can be obtained by writing to: Lutron Electronics Co., Inc. 7200 Suter Road, Coopersburg, PA 18036 U.S.A.



Limited Warranty

(Valid only in U.S.A., Canada, Puerto Rico, and the Caribbean.)
Lutron will, at its option, repair or replace any unit that is defective in materials or manufacture within one year after purchase. For warranty service, return unit to place of purchase or mail to Lutron at 7200 Suter Rd., Coopersburg, PA 18036-1299, postage pre-paid.

THIS WARRANTY IS IN LIEU OF ALL OTHER EXPRESS WARRANTIES, AND THE IMPLIED WARRANTY OF MERCHANTABILITY IS LIMITED TO ONE YEAR FROM PURCHASE. THIS WARRANTY DOES NOT COVER THE COST OF INSTALLATION, REMOVAL OR REINSTALLATION, OR DAMAGE RESULTING FROM MISUSE, ABUSE, OR DAMAGE FROM IMPROPER WIRING OR INSTALLATION. THIS WARRANTY DOES NOT COVER INCIDENTAL OR CONSEQUENTIAL DAMAGES. LUTRON'S LIABILITY ON ANY CLAIM FOR DAMAGES ARISING OUT OF OR IN CONNECTION WITH THE MANUFACTURE, SALE, INSTALLATION, DELIVERY, OR USE OF THE UNIT SHALL NEVER EXCEED THE PURCHASE PRICE OF THE UNIT. This warranty gives you specific legal rights, and you may have other rights which vary from state to state. Some states do not allow the exclusion or limitation of incidental or consequential damages, or limitation on how long an implied warranty may last, so the above limitations may not apply to you.

Lutron, EcoSystem, Quantum, SoftSwitch, and the Sunburst logo are registered trademarks and *Energi Savr Node* is a trademark of Lutron Electronics Co., Inc.
NEC is a registered trademark of National Fire Protection Association, Quincy, Massachusetts.

Apple, iPhone, iPod touch, and iTunes Store are trademarks of Apple Inc., registered in the U.S. and other countries.
© 2010 Lutron Electronics Co., Inc.



Lutron Electronics Co., Inc.
7200 Suter Road
Coopersburg, PA 18036-1299, U.S.A.
Made and printed in the U.S.A. 08/2010 P/N 040-366 Rev. C