

Warranty

LUTRON ELECTRONICS CO., INC. DRIVER THREE YEAR LIMITED WARRANTY

For a period of three years from the date of shipment by Lutron, Lutron warrants each new driver to be free from manufacturing defects. Lutron will, at its option, repair or provide a comparable replacement for any defective driver that, in Lutron's opinion, has been installed and operated under pursuant to Lutron's product specifications and the applicable provisions of the National Electrical Code® and of the Safety Standards of Underwriters Laboratories® so long as Lutron is promptly notified of the defect within the three year warranty period and, if requested by Lutron, the driver, is returned to Lutron.

This warranty is in lieu of all other express warranties and of all implied warranties, including implied warranties of merchantability and of fitness for a particular purpose. This warranty does not cover: the cost of installation, removal or reinstallation; damage resulting from misuse, abuse, or improper or incorrect repair; damage from improper wiring or installation; or incidental or consequential damages. Lutron's liability on any claim for damages arising out of or relating to the manufacture, sale, installation, delivery, or use of the driver is limited to the purchase price of the driver.

No Lutron agent, employee or representative has any authority to bind Lutron to any affirmation, representation or warranty concerning the driver. Unless an affirmation, representation or warranty made by an agent, employee or representative is specifically included herein, or in standard printed materials provided by Lutron, it does not form a part of the basis of any bargain between Lutron and customer and will not in any way be enforceable by customer.

In no event will Lutron or any other seller be liable or responsible for any (i) consequential or special damages, (ii) repair work undertaken without Lutron's prior consent, (iii) ancillary equipment not furnished by Lutron which is attached to or used in connection with the driver, all such equipment being expressly excluded from this warranty, or (iv) damage to the driver resulting from the use of ancillary equipment not furnished by Lutron for use with the driver.

This warranty provides specific legal rights. Other rights, which vary from state to state, may exist. Some states do not allow limitations on how long an implied warranty lasts or the exclusion or limitation of incidental or consequential damages, so the above limitations or exclusions may not apply.

Contact the Lutron Technical Support Center or your local Lutron sales representative with questions concerning the installation or operation of a covered driver or this Warranty, or to make a warranty claim. Please provide the exact model number when calling.

Lutron, the sunburst logo, EcoSystem and Hi-lume, are registered trademarks of Lutron Electronics Co., Inc. NEC and National Electrical Code are registered trademarks of the National Fire Protection Association, Quincy, Massachusetts.

These products may be covered under one or more of the following US patent numbers: 6,982,528; 7,436,131; and corresponding foreign patents. US and foreign patents pending.

© 2008 Lutron Electronics Co., Inc.

This device complies with part 15 of the FCC Rules.

Operation is subject to the following two conditions: (1) This device may not cause harmful interference, and (2) this device must accept any interference received, including interference that may cause undesired operation.

Changes or modifications not expressly approved by the Lutron Electronics Co., Inc. for compliance could void the user's authority to operate the equipment.

NOTE: This equipment has been tested and found to comply with the limits for a Class A digital device, pursuant to Part 15 of the FCC Rules. These limits are designed to provide reasonable protection against harmful interference when the equipment is operated in a commercial environment. This equipment generates, uses, and can radiate radio frequency energy and, if not installed and used in accordance with the instruction manual, may cause harmful interference to radio communications. Operation of this equipment in a residential area is likely to cause harmful interference in which case the user will be required to correct the interference at his own expense.

Contact Information

Internet: www.lutron.com
E-mail: hilumeled@lutron.com

WORLD HEADQUARTERS

USA

Lutron Electronics Co., Inc.
7200 Suter Road, Coopersburg, PA 18036-1299
TEL +1.610.282.3800
FAX +1.610.282.1243
Toll-Free 1.888.LUTRON1
Technical Support 1.800.523.9466

North and South America Technical Hotlines

USA, Canada, Caribbean: 1.800.523.9466
Mexico: +1.888.235.2910
Central/South America: +1.610.282.6701

EUROPEAN HEADQUARTERS

United Kingdom
Lutron EA Ltd.
6 Sovereign Close, London, E1W 3JF United Kingdom
TEL +44.(0)20.7702.0657
FAX +44.(0)20.7480.6899
FREEPHONE (UK) 0800.282.107
Technical support +44.(0)20.7680.4481

ASIAN HEADQUARTERS

Singapore
Lutron GL Ltd.
15 Hoe Chiang Road, #07-03 Euro Asia Centre,
Singapore 089316
TEL +65.6220.4666
FAX +65.6220.4333

Asia Technical Hotlines

Northern China: 10.800.712.1536
Southern China: 10.800.120.1536
Hong Kong: 800.901.849
Indonesia: 001.803.011.3994
Japan: +81.3.5575.8411
Macau: 0800.401
Singapore: 800.120.4491
Taiwan: 00.801.137.737
Thailand: 001.800.120.665853
Other countries: +65.6220.4666

Hi-lume® LED
www.lutron.com/hilumeLED

L3D 25 210 A UNV 1 (S)
L3D 25 140 A UNV 1 (S)

Contractor Quick Install Guide

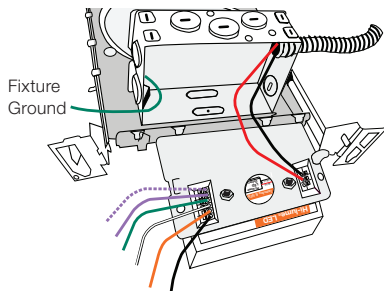


Installation



WARNING: To avoid electric shock or damage to driver turn off power to driver before servicing or installing.

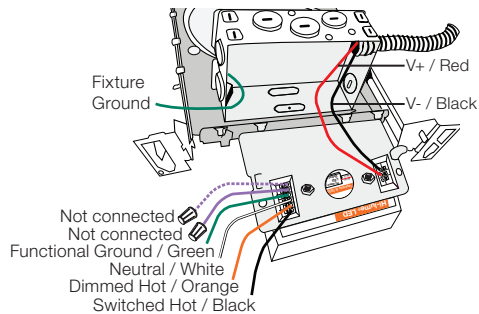
1. Properly ground fixture according to local and national electrical codes and regulations.



For use with Lutron Fluorescent 3-wire dimmers

2. Connect the White wire from the LED driver to Neutral from the dimmer.
3. Connect the Orange wire from the LED driver to Dimmed Hot from the dimmer.

4. Connect the Black wire from the LED driver to Switched Hot from the dimmer.
5. Connect the Green wire from the LED driver to Ground of the fixture and the power feed.



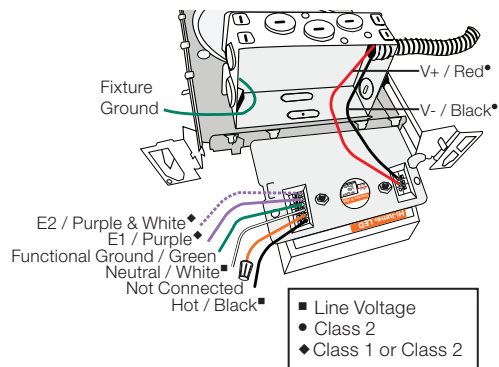
6. Cap off any unused wires.

For use with Lutron EcoSystem® Controls

2. Connect the White wire from the LED driver to Neutral of the power feed.
3. Connect the Black wire from the LED driver to Hot of the power feed.
4. Connect the Purple and Purple/White wires from the LED driver to E1 and E2 on the EcoSystem Digital Control Bus.

5. Connect the Green wire from the LED driver to Ground of the fixture and the power feed.

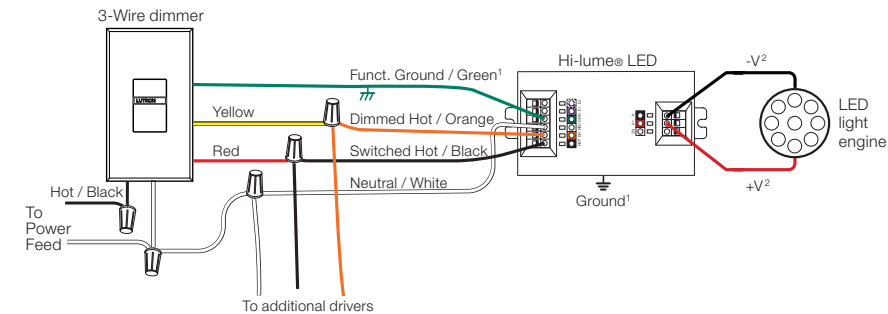
NOTE: Install in accordance with the National Electrical Code® and local codes.



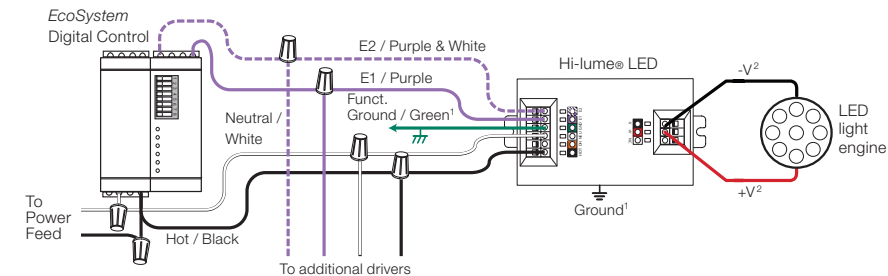
6. Cap off any unused wires.

Wiring Diagrams

Wiring Diagram for 3-Wire Dimming



Wiring Diagram for EcoSystem® Digital Control



¹ Fixture must be grounded in accordance with local and national electrical codes.

² Maximum lamp-to-driver wire length is 3 ft (1 m).