

# GRAFIK Eye®

## Installation Instructions

*Please Leave for Occupant*

## Locking Cover Assembly

GRX-1GLC	1-gang
GRX-2GLC	2-gang
GRX-3GLC	3-gang
GRX-4GLC	4-gang

## Package Contents

- (1) Mounting Bracket
- (1) Sliding Cover
- (1) Key

## Description

The GRAFIK Eye series Locking Covers provide tamper-proof security for Control Units and single-gang Accessory Controls. A removable keylock limits access. Covers are reversible; the keylock can be used on either the left or the right side. Access to controls is gained by sliding the translucent smoked black cover to the left or right. Please note that wireless remote control signals can pass through the sliding cover, but range is reduced by 50%.

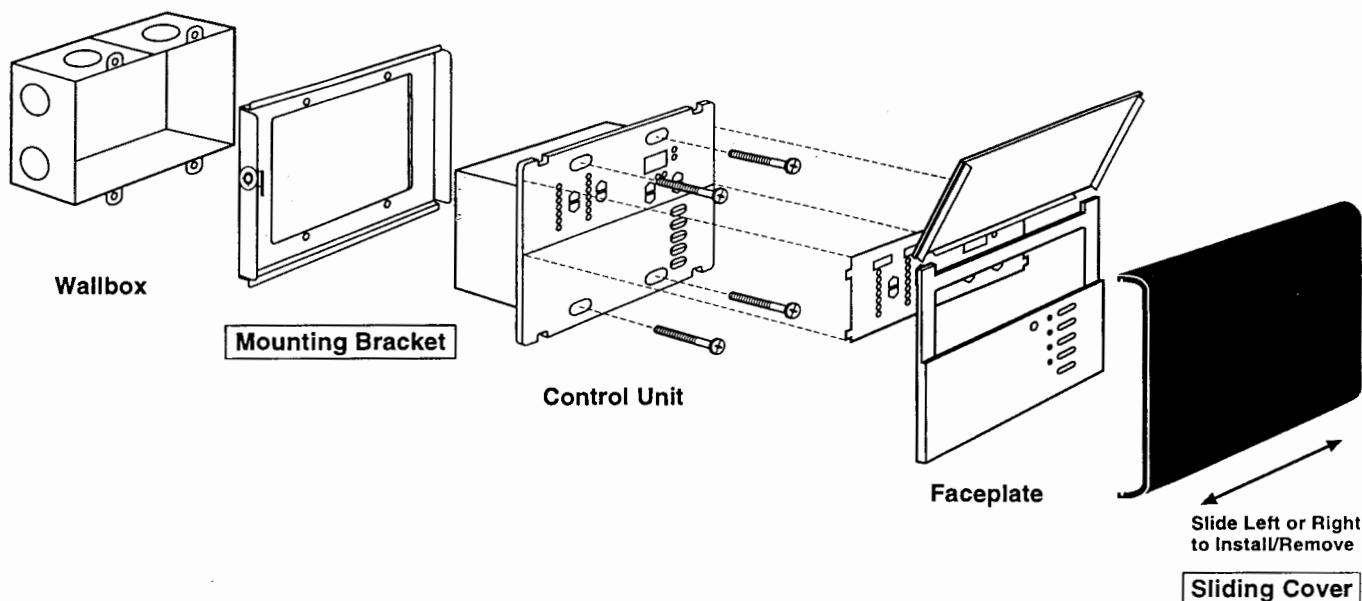
## Painting Notes

The sliding cover may be painted, but a wireless remote control will not work. (If wireless remote control operation is required, use an Accessory Control with an infrared receiver.)

Sand the surface of the sliding cover slightly before painting. Do not allow paint to run into the sliding channels.

## Installation

1. Turn power OFF.  
**WARNING: Always turn the circuit breaker off or remove the main fuse from the power line before doing any work. Failure to do so can result in serious personal injury.**
2. Remove the cover from the GRAFIK Eye Control. The hinged cover and base are supplied as one piece. To remove, snap the faceplate off by pulling outward at each corner, one corner at a time. Set faceplate aside.
3. Determine which side of the control to locate the keylock (see diagrams on back). Pull control wires through the mounting bracket. Wire the control per appropriate installation instructions. Mount the control and Locking Cover Assembly as shown below. Make sure no wires are pinched.
4. Replace control and tighten mounting screws.
5. Snap the faceplate back on by pressing in at each corner, one corner at a time.
6. Slide the sliding cover onto the mounting bracket. Make sure the notch in the sliding cover is aligned with the keylock.
7. Turn power ON.



# LUTRON®

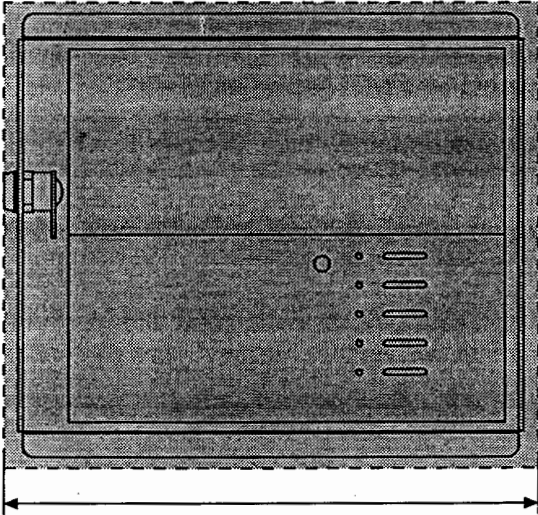
This product may be covered by one or more of the following U.S. patents: 5,191,265 and DES 344,264. Lutron and GRAFIK Eye are registered trademarks of Lutron Electronics Co., Inc.  
© 1995 Lutron Electronics Co., Inc.

## Installation Diagrams

### Front Views

(2-gang GRAFIK Eye shown)

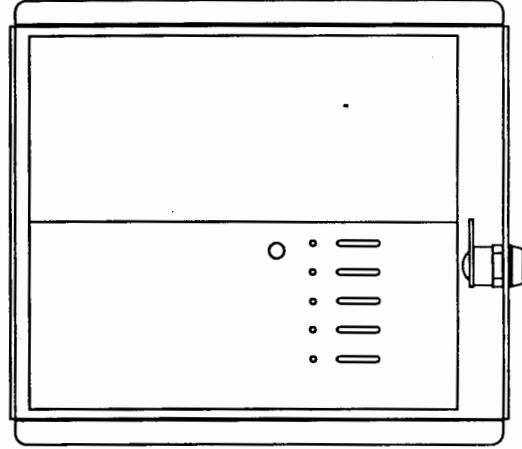
Keylock Installed on Left Side  
(Sliding Cover superimposed)



GRX-1GLC: 4-1/2"  
GRX-2GLC: 6-5/16"

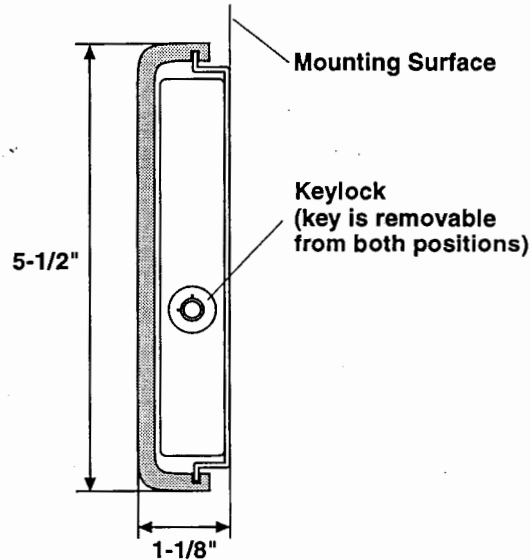
GRX-3GLC: 8-1/8"  
GRX-4GLC: 9-15/16"

Keylock Installed on Right Side  
(Sliding Cover not shown)



### Side View

(keylock shown on right side)



### Technical and Sales Assistance

If you need assistance, call the toll-free **Lutron** Hotline:

(800) 523-9466 (U.S.A., Canada, and the Caribbean)  
Other countries call (610) 282-3800  
Fax (610) 282-3090

### Warranty

Lutron will, at its option, repair or replace any unit that is defective in materials or manufacture within one year after the purchase. For warranty service, return unit to place of purchase or mail to Lutron at 7200 Suter Road, Coopersburg, PA 18036-1299, postage prepaid.

This warranty is in lieu of all other warranties, express or implied, and the implied warranty of merchantability is limited to one year from purchase. This warranty does not cover the cost of installation, removal, or reinstallation, or damage resulting from misuse, abuse, or improper wiring or installation.

This warranty gives you specific legal rights, and you may also have other rights which vary from state to state. Some states do not allow the exclusion or limitation of incidental or consequential damages or limitations on how long an implied warranty may last, so the above limitations and exclusions may not apply to you.

# LUTRON®

Lutron Electronics Co., Inc.

7200 Suter Road

Coopersburg, PA 18036-1299 U.S.A.

Made and printed in U.S.A. 11/95 P/N 041-079