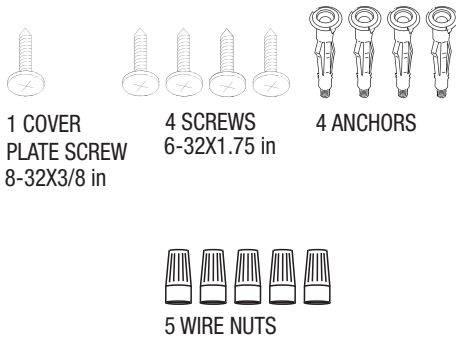
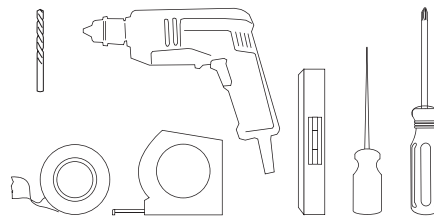


HARDWARE INCLUDED:

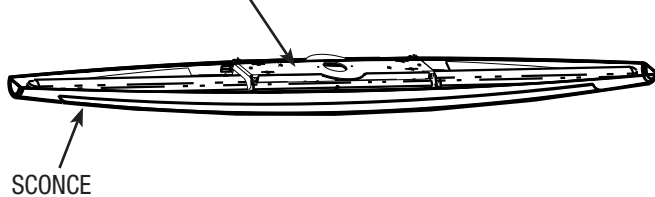


TOOLS REQUIRED:



PAPER TAPE, DRILL, TAPE MEASURE, LEVEL,
AWL, PHILLIPS HEAD SCREWDRIVER, AND
5/16 in DRILL BIT

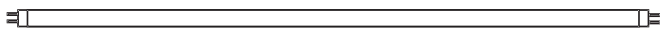
MOUNTING PLATE COVER



NOTICE: FIXTURE PARTS ARE SCRATCHABLE.

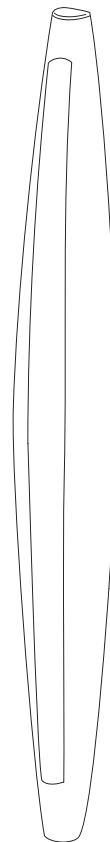
KEEP SCONCE IN BOX TO PROTECT FINISH AND FOR ASSEMBLY.

USE WITH 4 in (10 cm) OR SMALLER ROUND OR OCTAGONAL RECESSED
JUNCTION BOX. CUT HOLE IN WALL CLOSE TO JUNCTION BOX.



LED LIGHT SOURCE INCLUDED WITH FIXTURE.
FLORESCENT LAMP NOT INCLUDED.

- 4 ft (122 cm) LED: LED LOAD = 44 W
- 4 ft (122 cm) LAMP: T5HO = 54 W, T5HE = 28 W
- 5 ft (157 cm) LED: LED LOAD = 57 W
- 5 ft (157 cm) LAMP: T5HO=80 W, T5HE = 35 W

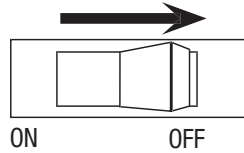


WARNING: THIS PRODUCT MUST BE INSTALLED IN ACCORDANCE WITH THE APPLICABLE INSTALLATION CODE BY A PERSON FAMILIAR WITH THE CONSTRUCTION AND OPERATION OF THE PRODUCT AND THE HAZARDS INVOLVED. VERTICAL WALL MOUNT ONLY.

1 INSTALLATION

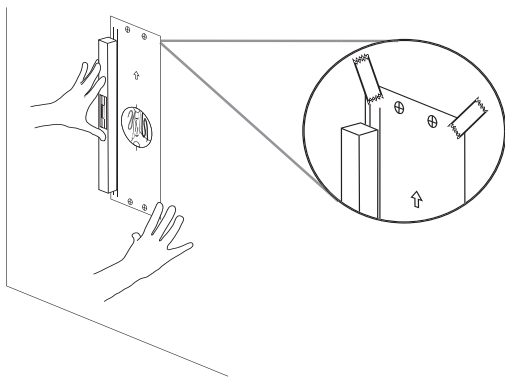
1-1

TURN OFF CIRCUIT BREAKER AND SWITCH/DIMMER.



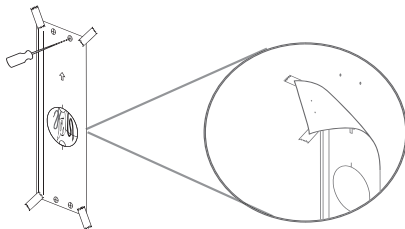
1-2

POSITION TEMPLATE AT DESIRED HEIGHT AND LINE UP VERTICAL EDGE OF TEMPLATE WITH A LEVEL TO MAKE SURE IT IS VERTICAL THEN PUT ON 4 PIECES OF TAPE ONE ON EACH EDGE TO SECURE THE TEMPLATE.



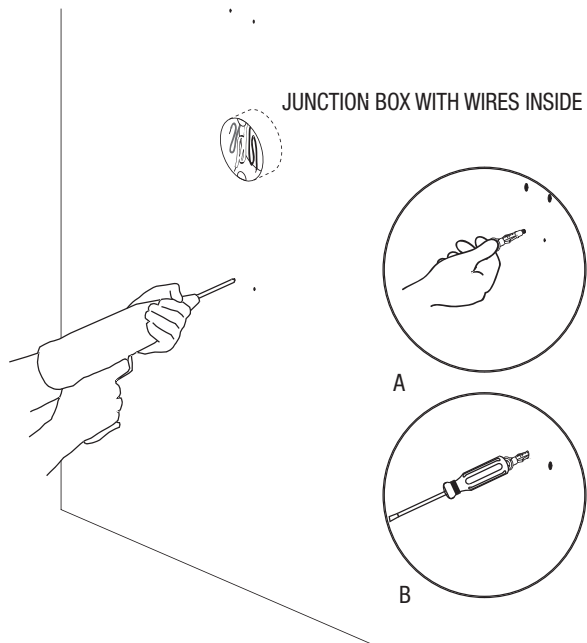
1-3

USE A SHARP TOOL AT THE POINT OF EACH X IN THE TEMPLATE TO SHOW WHERE TO DRILL THE HOLE AND THEN REMOVE THE TEMPLATE.



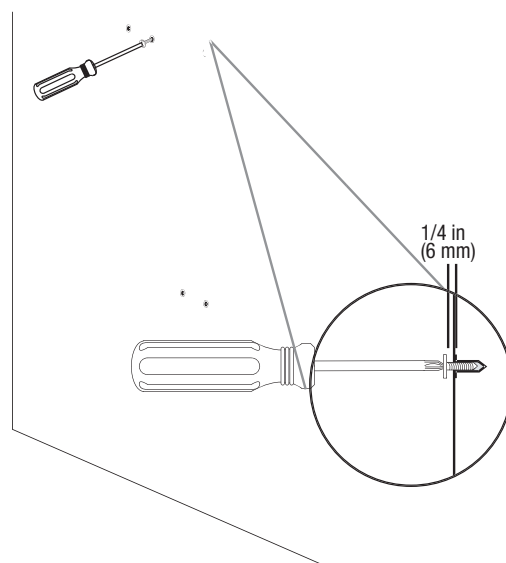
1-4

DRILL HOLES FOR ANCHORS. THEN (A) PUSH ANCHORS IN WITH FINGERS INTO HOLES AND (B) TAP ANCHORS WITH THE END OF A SCREWDRIVER TO MAKE SURE THAT THEY ARE FLUSH WITH THE WALL.



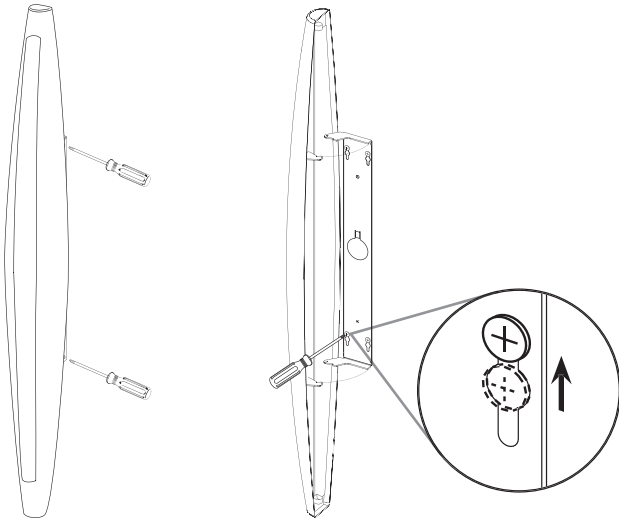
1-5

SCREW IN SCREWS LEAVING 1/4 in (6 mm) GAP TO THE WALL.



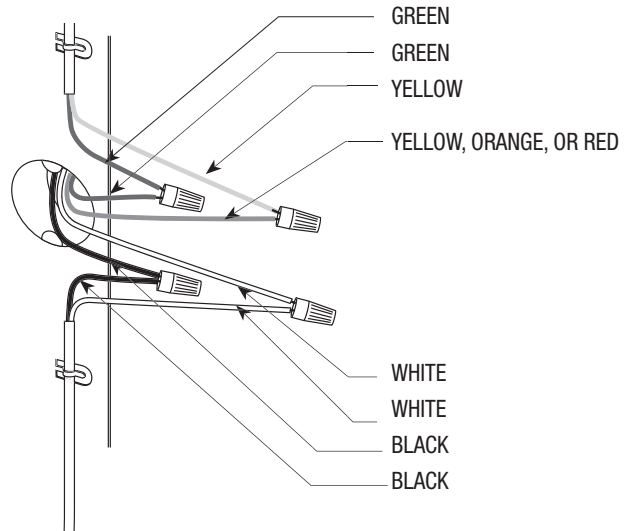
1-6

LOOSEN 2 LOCKING SCREWS AND OPEN MOUNTING BRACKET. REMOVE MOUNTING PLATE SCREWS AND COVER, SLIP MOUNTING PLATE OVER THE WALL SCREWS AND TIGHTEN.



1-8a 3-WIRE DIMMING

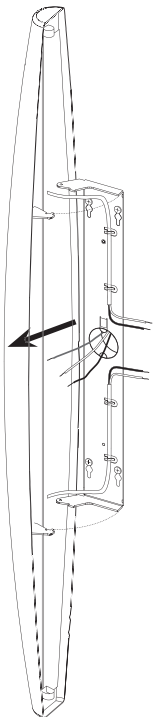
SECURE WITH WIRE NUTS THE CORRECT WIRES FROM THE SCONCE TO THE CORRESPONDING JUNCTION BOX WIRES.



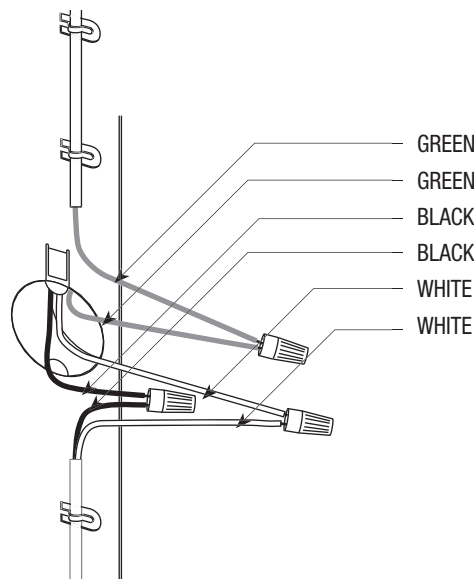
NOTE: TWO HOT LEADS ARE NEEDED FOR DIMMING OPERATION. IF THERE IS A DIMMABLE FIXTURE BUT ONLY 3 WIRES AVAILABLE FROM THE POWER SIDE (ONLY ONE HOT), CONNECT THE BLACK AND THE YELLOW LEAD FROM THE FIXTURE TO THE HOT WIRE (BLACK) FROM THE JUNCTION BOX.

1-7

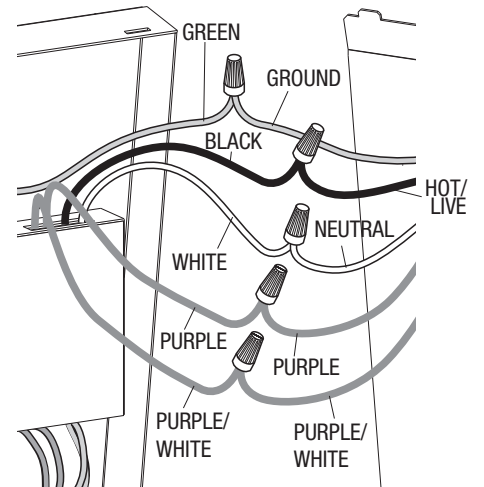
PULL WIRING OUT OF THE JUNCTION BOX.



1-8b NON DIM OR 2-WIRE DIM.

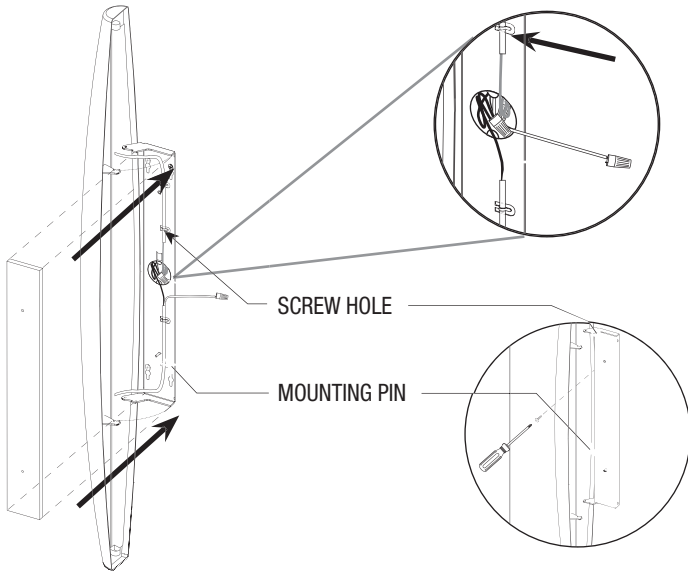


1-8c ECOSYSTEM® DIMMABLE BALLAST/DRIVER.



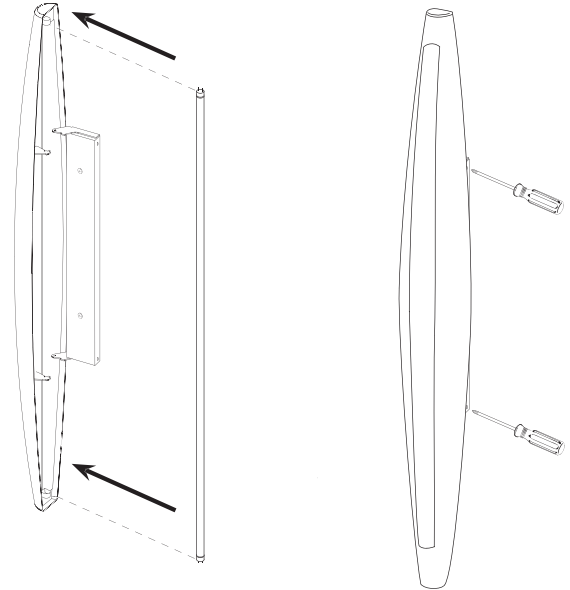
1-9

REINSTALL MONTING PLATE COVER AND 2 SCREWS.



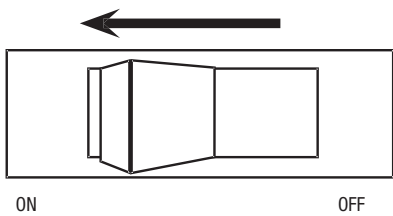
1-10

INSTALL LAMP (FLUORESCENT MODELS ONLY). CLOSE SCONCE AGAINST WALL AND SCREW IN LOCKING SCREWS.



1-11

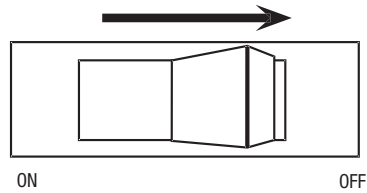
TURN CIRCUIT BREAKER AND SWITCH/DIMMER.



2 BALLAST/DRIVER REPLACEMENT

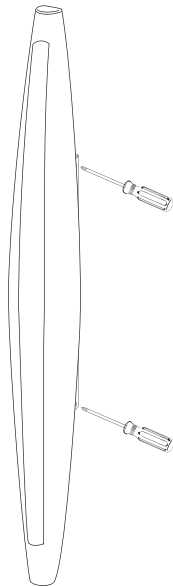
2-1

TURN **OFF** CIRCUIT BREAKER AND SWITCH/DIMMER.



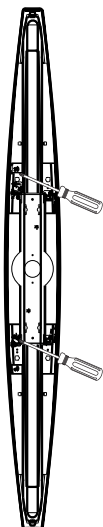
2-2

OPEN LOCKING SCREWS.



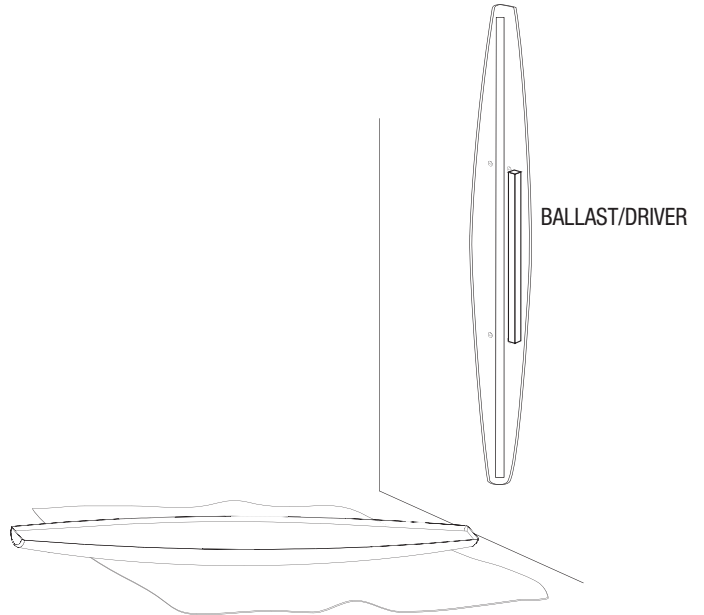
2-3

REMOVE 2 SCREWS WHILE HOLDING THE OUTER SHELL.



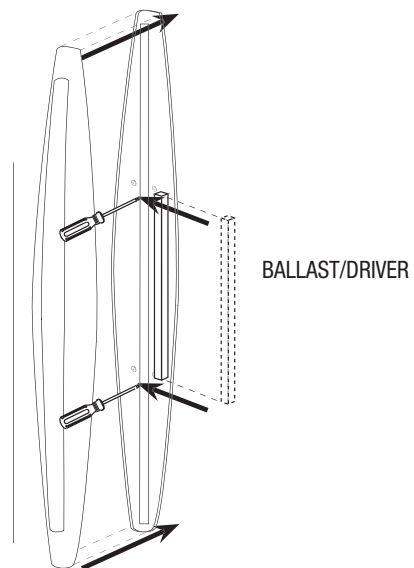
2-4

PUT SHELL ON A CLOTH WHILE REPLACING BALLAST.



2-5

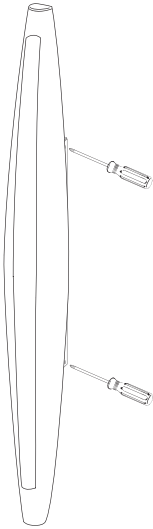
REPLACE BALLAST/DRIVER, THEN REPLACE SHELL AND REINSTALL 2 SCREWS.



Installation

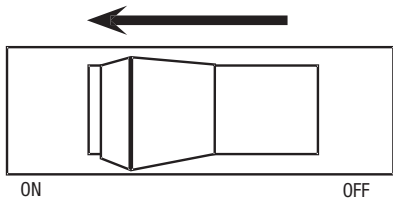
2-6

SCREW IN LOCKING SCREWS



2-7

TURN ON CIRCUIT BREAKER AND SWITCH/DIMMER.



3 REPLACE LAMP

(FLUORESCENT MODELS ONLY)

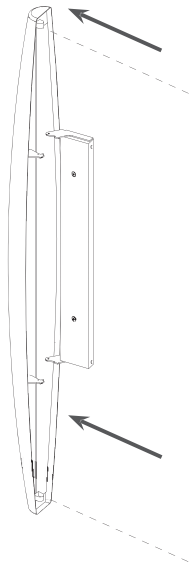
3-1

TURN OFF POWER. UNSCREW LOCKING SCREWS AND OPEN SCONCE.



3-2

CHANGE LAMP.



3-3

CLOSE SCONCE BACK TO THE WALL AND SCREW IN LOCKING SCREWS.

Aliante®

4' / 5' Interior Decorative Sconce

LED/Fluorescent

Installation

Customer service: 610.282.7472 or fixtures@lutron.com




041129e 7 08/2016

Limited Warranty

For warranty details, see www.lutron.com/TechnicalDocumentLibrary/3683454.pdf

Trademarks

Lutron,  Lutron, IVALO, IVALO Lighting (registered in the U.S. only), and Aliante are registered trademarks of Lutron Electronics Co., Inc.

For Help

For help with applications or installations, please contact us at 610.282.7472 or fixtures@lutron.com

Lutron Electronics Co., Inc.

7200 Suter Road

Coopersburg, PA 18036-1299, USA

World Headquarters 610.282.3800

Customer Service: 610.282.7472

Fax: 610.282.7600

fixtures@lutron.com

www.lutron.com/ivalo

©2014–2016 Lutron Electronics Co., Inc.