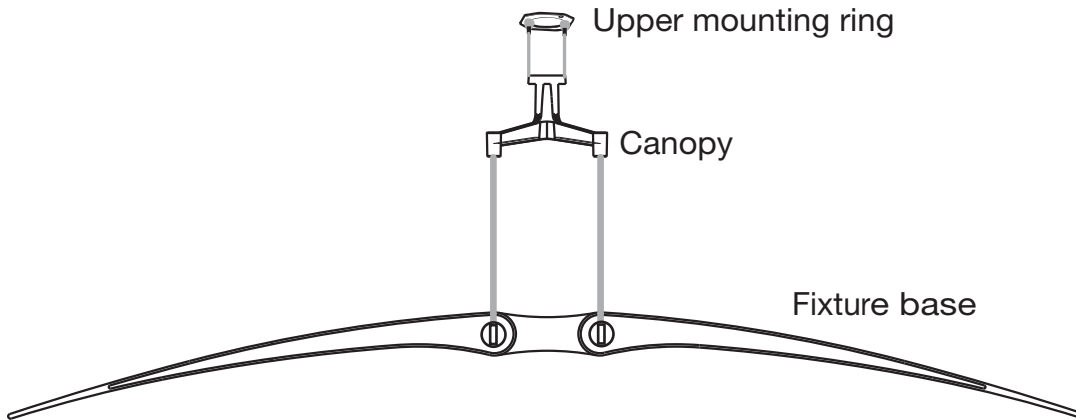
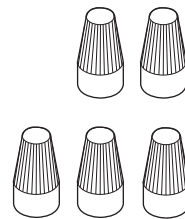
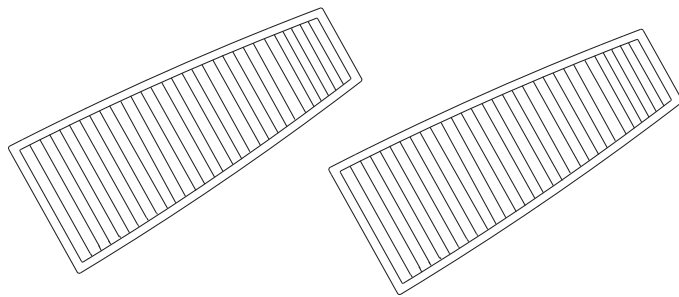
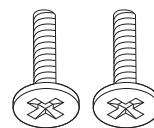
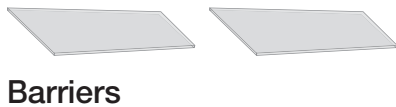


Components included:

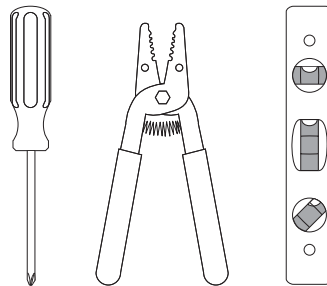


Fluorescent - 2 x 42 W 4-pin compact fluorescent lamps required (not included). Lutron recommends GE, Sylvania, or Philips lamps that are certified for dimming.
LED - Integrated LED light source included.



Tools required:

- #2 Phillips head screw driver
- Wire stripper
- Level



Notes:

Use the fixture with a 4 in (102 mm) round or octagonal recessed junction box. **The fixture brace and support from a structure are required for a suspended ceiling.**

For installation in room with a ceiling height between 8 ft to 16 ft (2438 mm to 4877 mm). 12 ft to 16 ft (3658 mm to 4877 mm) ceiling height requires the 16 ft (4877 mm) cable suspension option. Minimum fixture height is 80 in (2032 mm). Contact Lutron for ceiling greater than 16 ft (4877 mm).

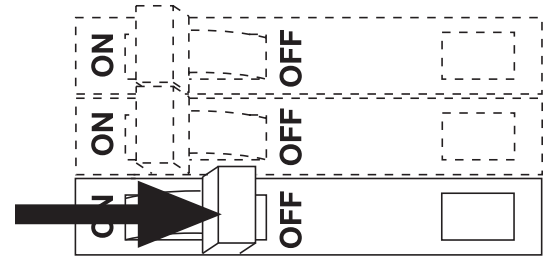
NOTICE: Installation should be carried out by a licensed electrician. To avoid risk of damage, do not install over cooktop or other hot surfaces. Install in accordance with all national and local electrical codes. Not for use in Quebec.

1.

Turn off the circuit breaker.

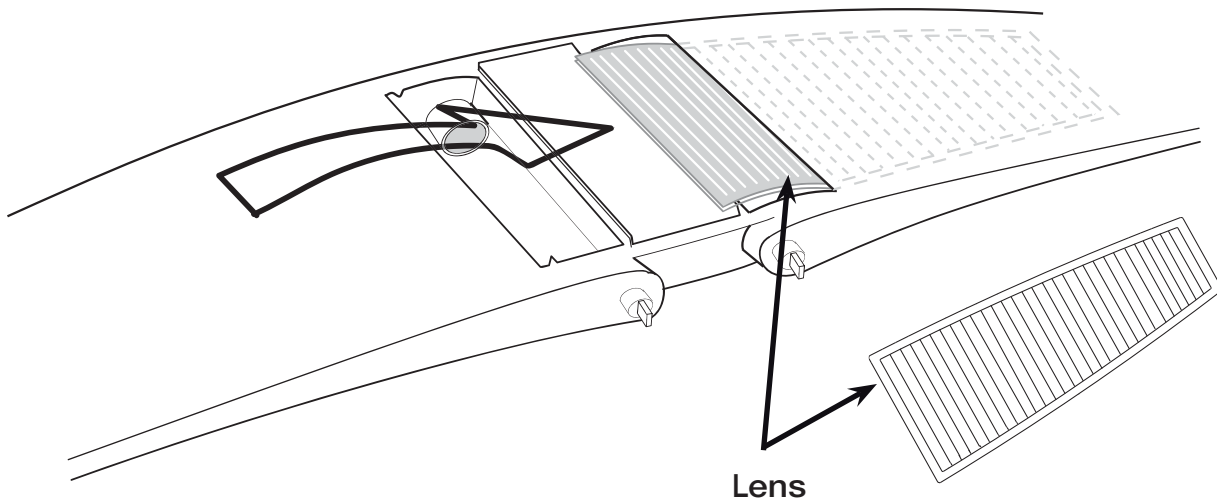


WARNING: Shock Hazard. May result in serious injury or death. Turn off power to all feeds before wiring or servicing.



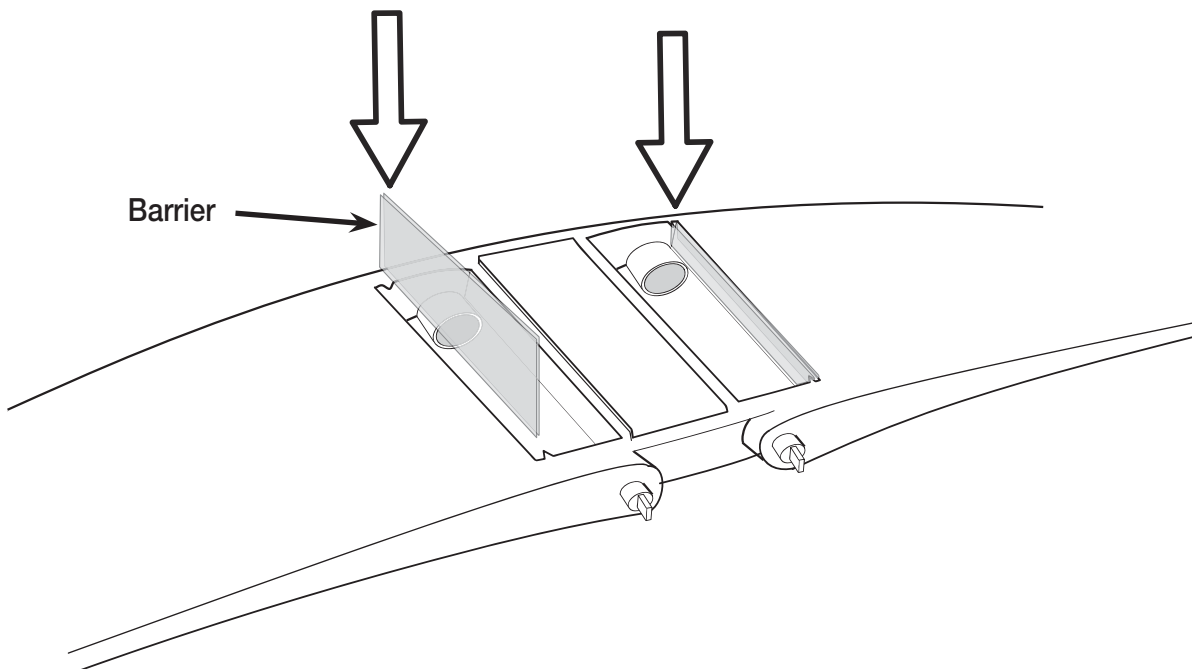
2.

Insert both lenses (one per side), by sliding them down from upper side of the enclosure area, (guide upward from under-side, until they are aligned).



3.

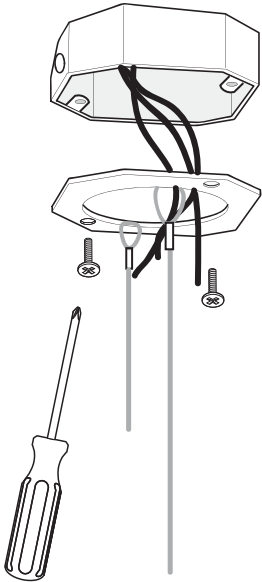
Insert both barriers (one per side), by sliding them down into the grooves on each side of wing, near the reflectors.



4.

Remove canopy covers from canopy. Install upper mounting ring to junction box.

Finished surfaces are easily scratched. Keep fixture base in box to protect finish while installing canopy.

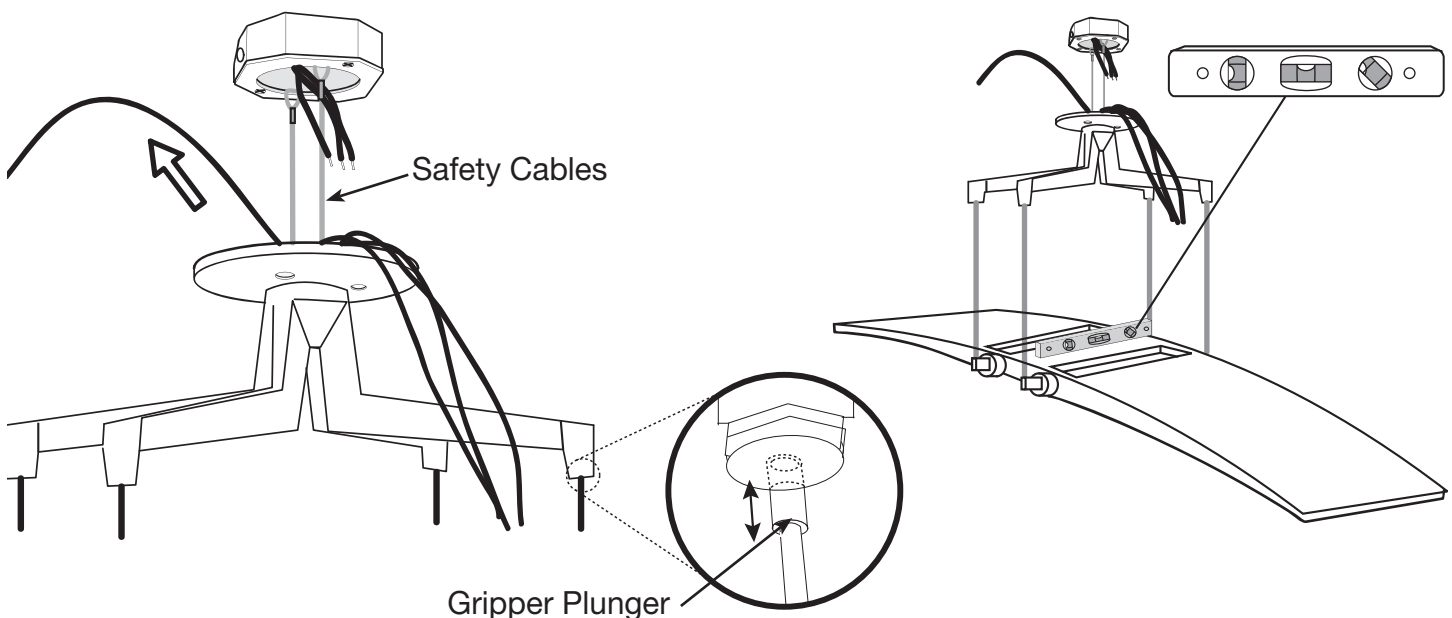


5.

Adjust preliminary height preferred by pulling each of the cables up through the canopy. Position fixture 6 in (152 mm) lower than desired final mounting height due to additional length from safety cables. Use level when setting desired height.

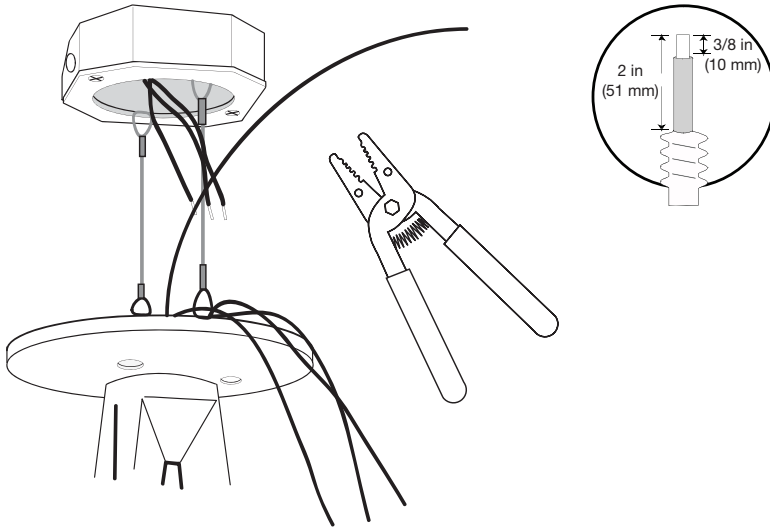
Note: All adjustments must be made using the canopy cable gripper assemblies.

- Raise the fixture by pulling the cable through the canopy gripper.
- Lower the fixture by supporting the cable with one hand and pressing in the gripper plunger to allow the cable to be extended. Release the plunger to lock the cable in place.



6.

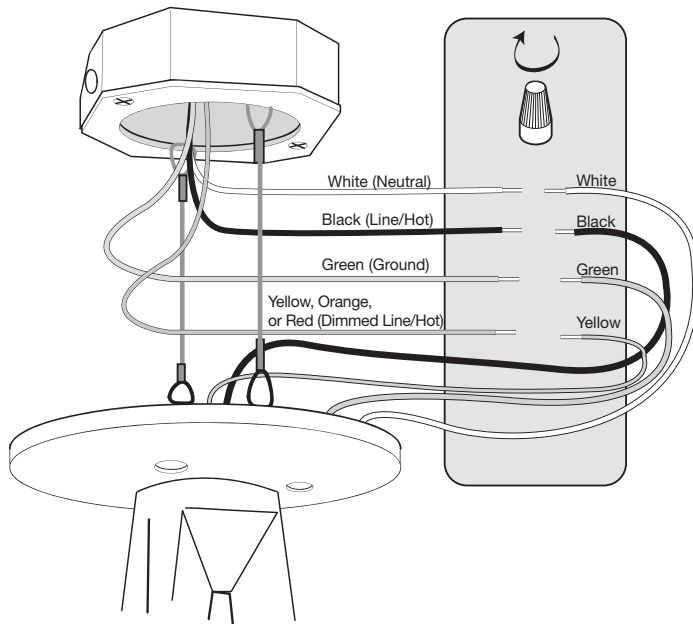
After the fixture is positioned, measure 12 in (305 mm) of cable and cut off the excess. Push back the metal jacket 2 in (51 mm) to expose the insulated wire and secure it using electrical tape. Strip back 3/8 in (10 mm) of the insulation.



7. Power connections: dimming or non-dimming unit.

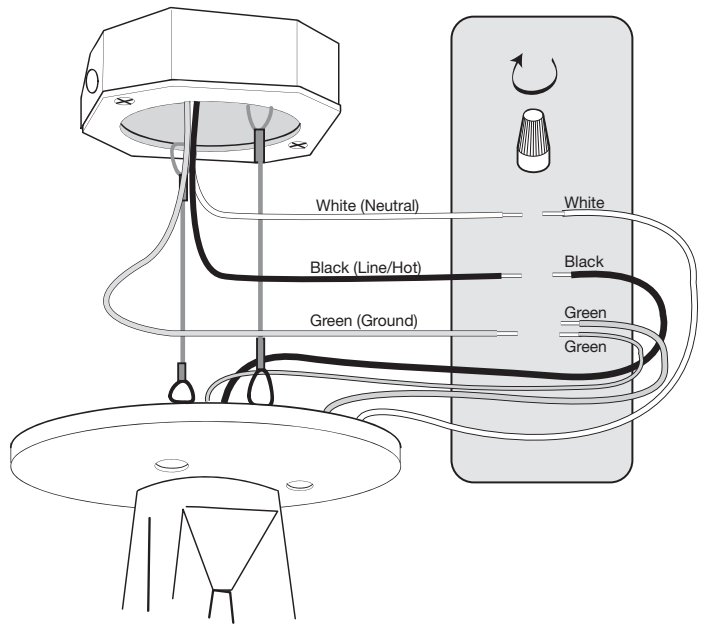
A. 3-wire dimming

Secure the correct wires from the unit to the junction box wires, using the provided wire connectors:



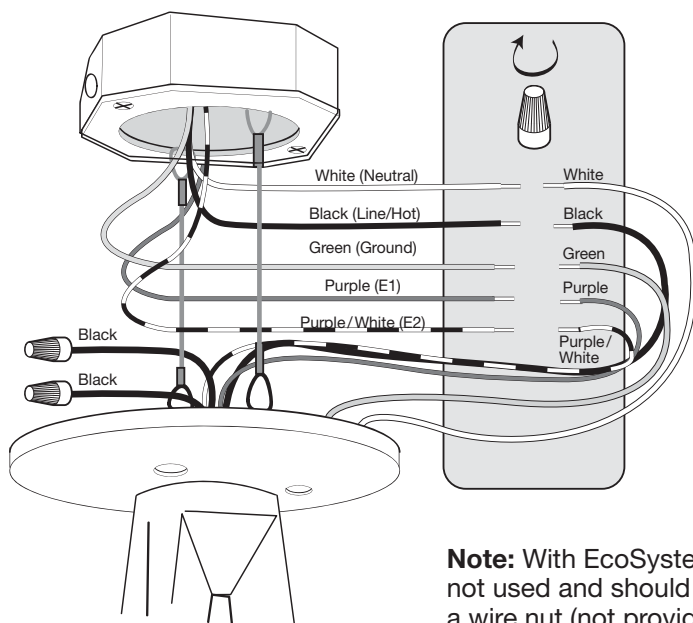
B. 2-wire dimming and non-dimming

Secure the correct wires from the unit to the junction box wires, using the provided wire connectors:



C. EcoSystem® dimming

Secure the correct wires from the unit to the junction box wires, using the provided wire connectors:



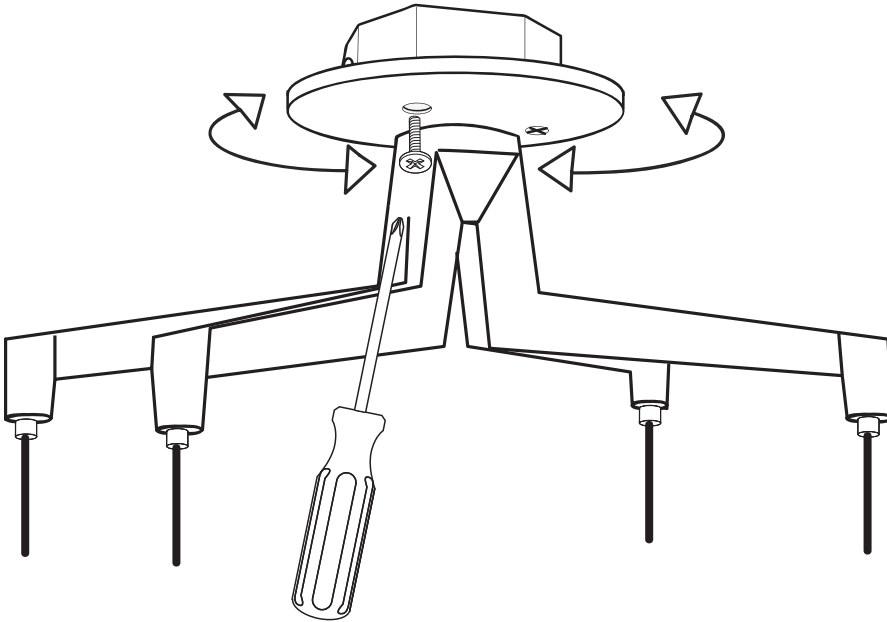
COMPATIBLE CONTROLS

For a list of compatible controls and technical documents, visit www.lutron.com/ivalo

Note: With EcoSystem® dimming wiring, (2) black, 30 AWG (0.051 mm²) wires are not used and should be trimmed (even with the stainless sheathing) or capped with a wire nut (not provided).

8.

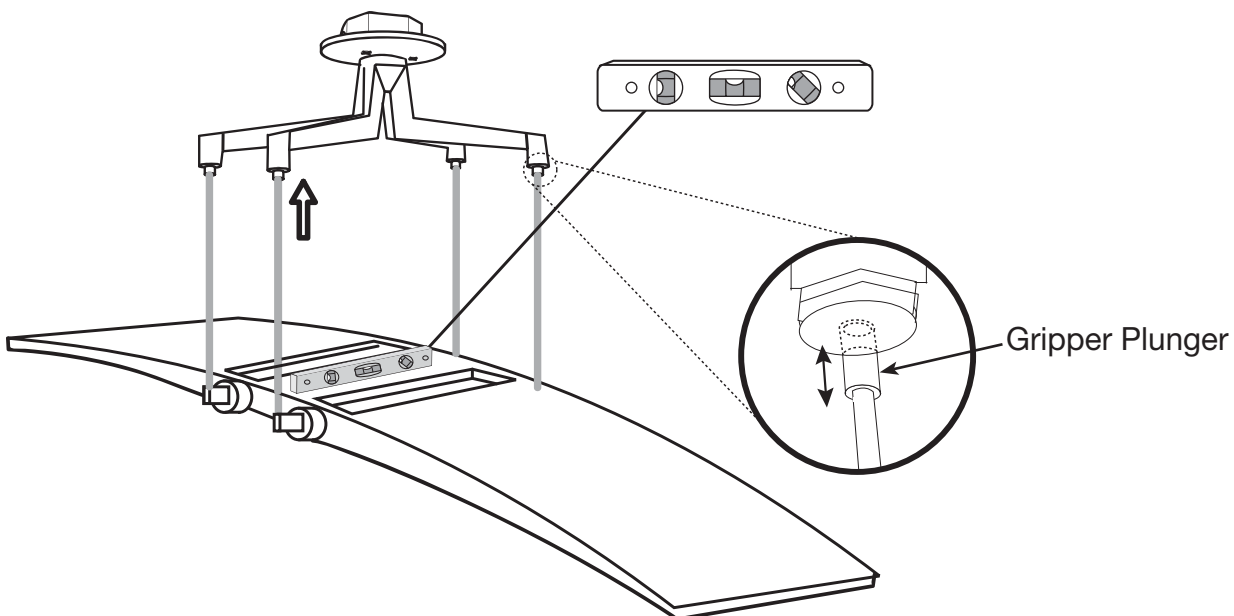
Secure the canopy to junction box/mounting ring, using screws provided. Leave slightly loose and rotate to adjust the position of the fixture. Once the position is correct, tighten the screws.



9. Fine tune height adjustment of fixture.

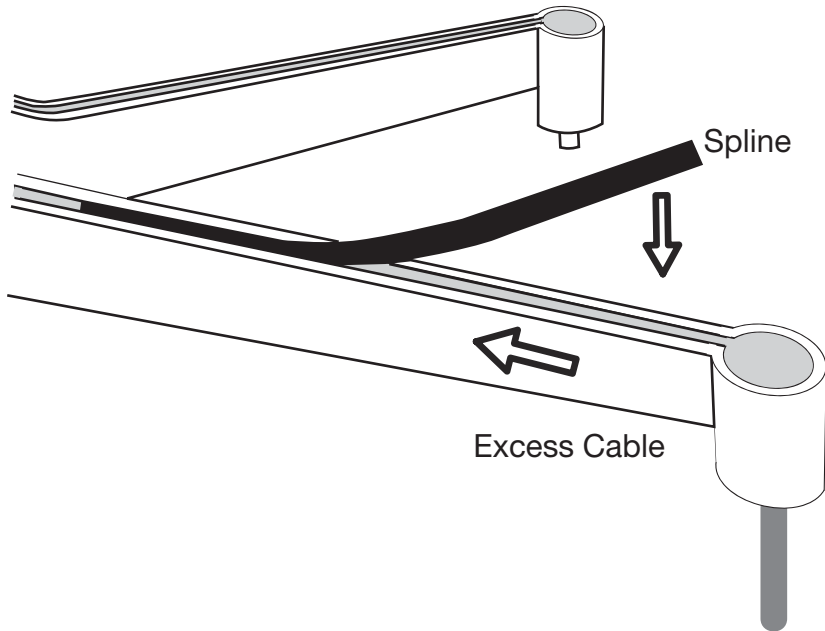
Note: All adjustments must be made using the canopy cable gripper assemblies.

- Raise the fixture by pushing the cable through the gripper.
- Lower the fixture by supporting the cable with one hand and pressing in the gripper plunger to allow the cable to be extended. Release the plunger to lock the cable in place.



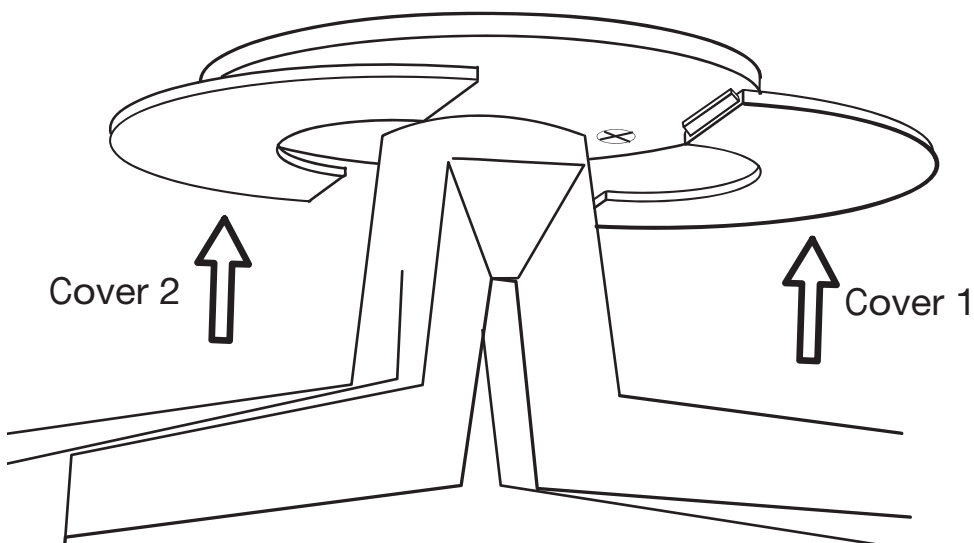
10.

After final adjustments, make sure the cables are fully depressed into the canopy “V” channels. Push the excess cable into the canopy body and hold it in place by depressing the spline in the slot.



11.

Install canopy covers. Snap cover marked “1” in place and then attach cover marked “2”.

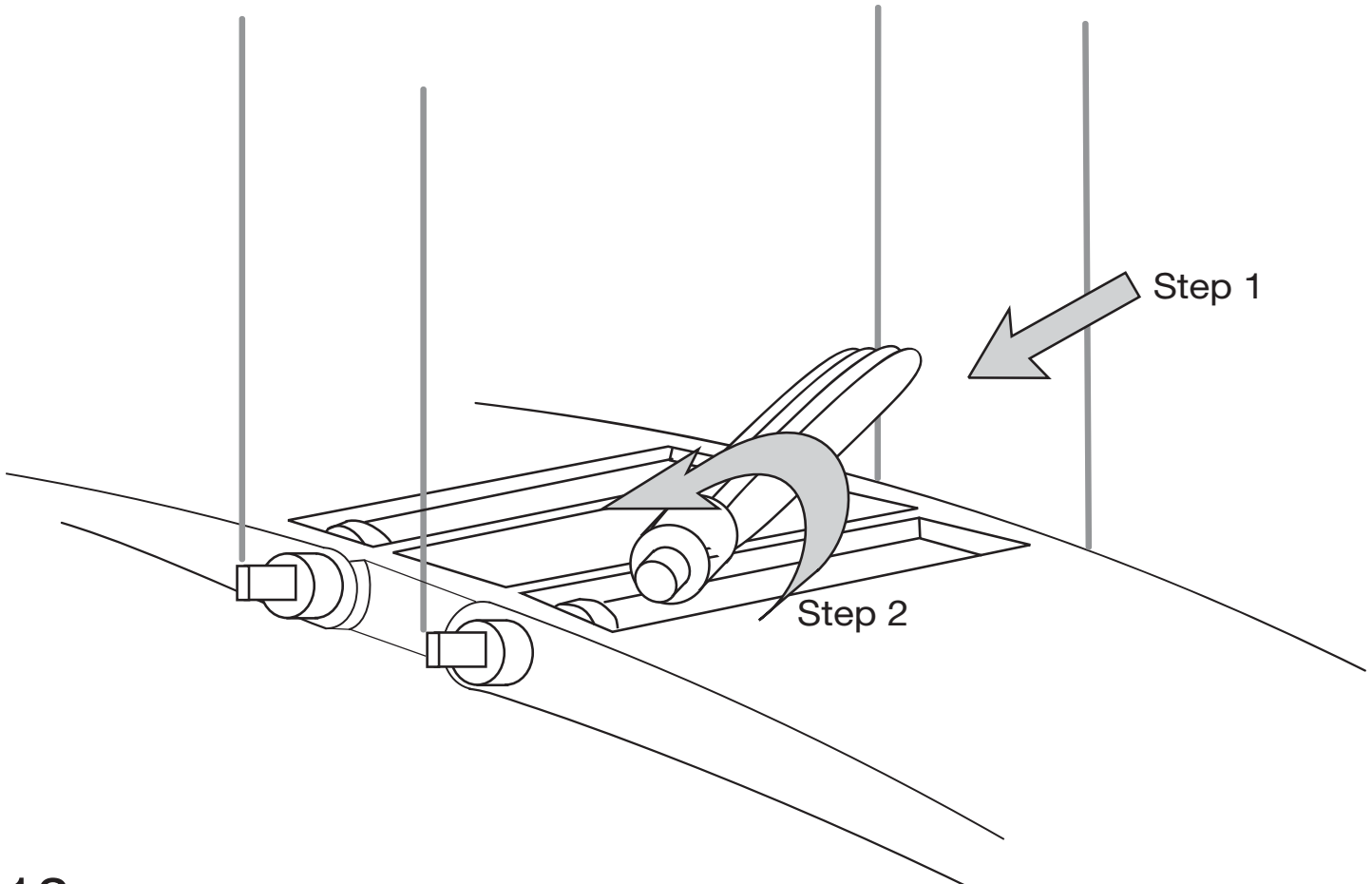


12. Install lamps

Note: Fluorescent models only. LED light source is factory installed.

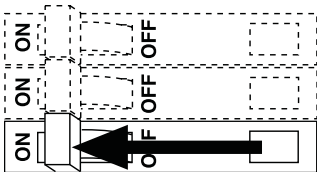
Step 1: Push the lamp into the fixture.

Step 2: Twist the lamp clockwise until it clicks and locks into place.



13.

Turn ON circuit breaker.



Lamp Replacement (Fluorescent models only)

To change lamps, turn OFF power. Twist lamp counter-clockwise, then gently pull lamp from socket. Repeat step 12 to insert new lamp.

Ballast/Driver Replacement

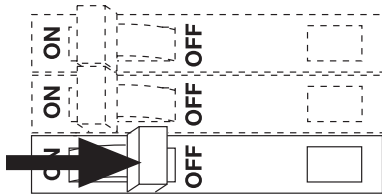
Ballast/driver should only be replaced by a licensed electrician.

A.

Turn off the circuit breaker.

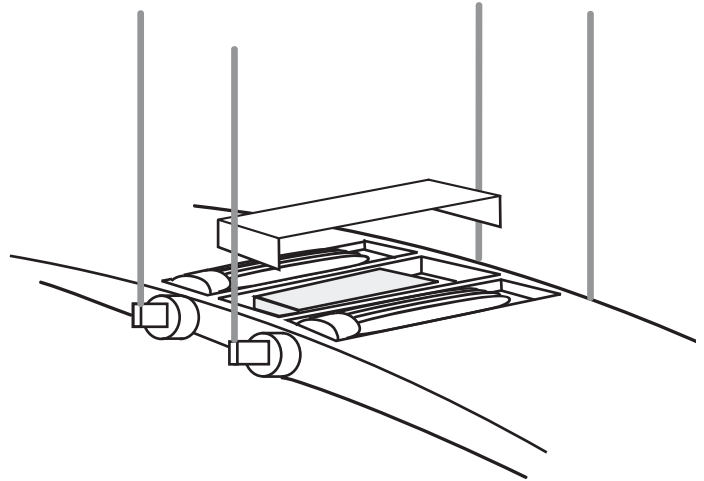


WARNING: Shock Hazard. May result in serious injury or death. Turn off power to all feeds before wiring or servicing.



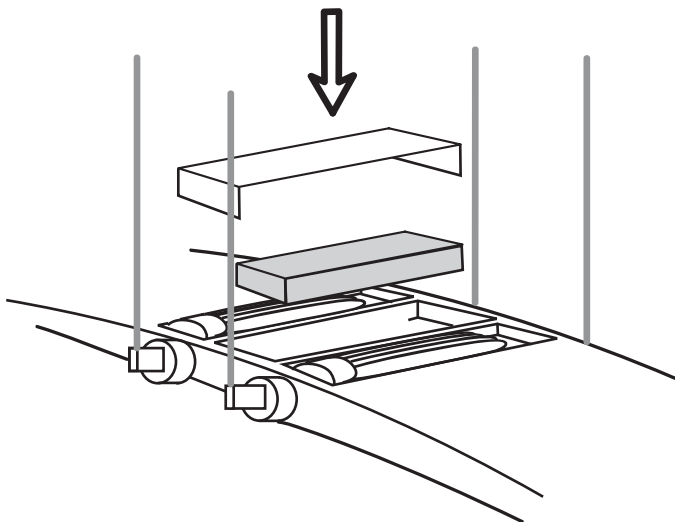
B.

To access the ballast/driver, remove the 2 screws on top of the cover and lift it out.



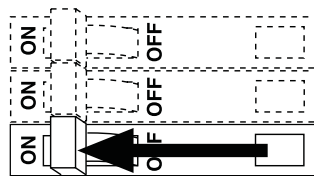
C.

Replace the ballast/driver. Replace the cover.



D.

Turn ON circuit breaker.



Technical Notes


Standard cables are made for ceilings up to 12 ft (3658 mm). Optional 16 ft (4877 mm) cables are available. For longer cables, contact Lutron.

THIS PRODUCT MUST BE INSTALLED IN ACCORDANCE WITH THE APPLICABLE INSTALLATION CODE BY A PERSON FAMILIAR WITH THE CONSTRUCTION AND OPERATION OF THE PRODUCT AND THE HAZARDS INVOLVED.

Limited Warranty

For 10 year limited warranty details, see www.lutron.com/TechnicalDocumentLibrary/3683454.pdf

Trademarks

 Lutron, Lutron, EcoSystem, Ivalo, Ivalo Lighting (registered in the US only), and L'ale are registered trademarks and Lutron Ivalo Lighting Collection is a trademark of Lutron Electronics Co., Inc.

For Help

For help with applications or installations, please contact us at 610.282.7472 or fixtures@lutron.com

Lutron Electronics Co., Inc.

7200 Suter Road

Coopersburg, PA 18036-1299, USA

Customer Service: 610.282.7472

Fax: 610.282.7600

fixtures@lutron.com

www.lutron.com/ivalo

©2014-2016 Lutron Electronics Co., Inc.