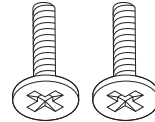
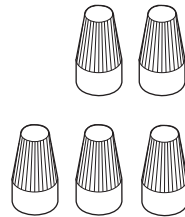


## Components included:



8-32 x 1/2 in (25 mm) screws



Wire connectors

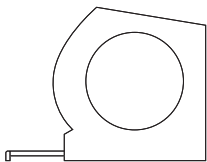
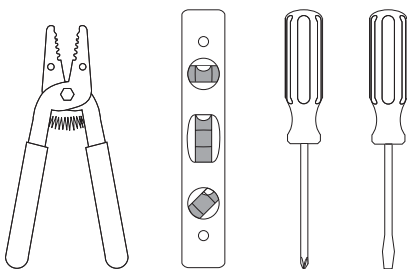
**LED** - Integrated LED light source included.

**Fluorescent** - 2 x T5 48 in (1219 mm) fluorescent lamps required (not included).

Refer to label fixture for proper bulb type. **Installing the incorrect bulb type may cause ballast failure.**

## Tools required:

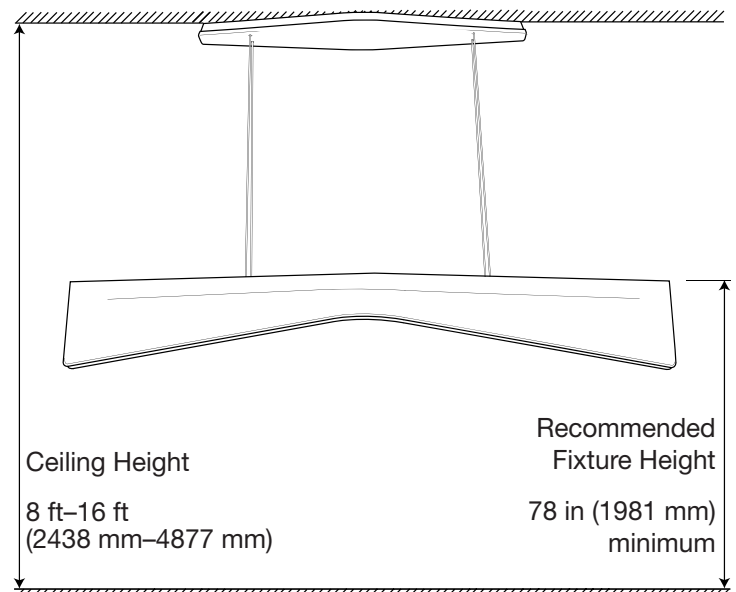
- #2 Phillips head and Straight head screwdriver
- Tape Measure
- Wire stripper
- Level



**Finished surfaces are easily scratched! Keep fixture base in the box to protect the finish while installing canopy.**

Use the fixture with a 4 in (102 mm) round or octagonal recessed junction box. **The fixture brace and support from a structure are required for a suspended ceiling.**

For installation in a room with a ceiling height between 8 ft to 16 ft (2438 mm to 4877 mm). 12 ft to 16 ft (3658 mm to 4877 mm) ceiling height requires the 16 ft (4877 mm) cable suspension option. The minimum fixture height is 78 in (1981 mm). Contact Lutron for ceiling greater than 16 ft (4877 mm).



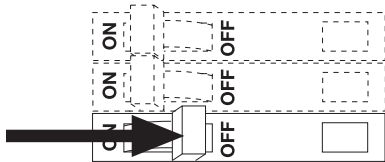
**NOTICE:** Installation should be carried out by a licensed electrician. To avoid risk of damage, do not install over cooktop or other hot surfaces. Install in accordance with all national and local electrical codes. Not for use in Quebec.

# 1.

Turn off the circuit breaker.

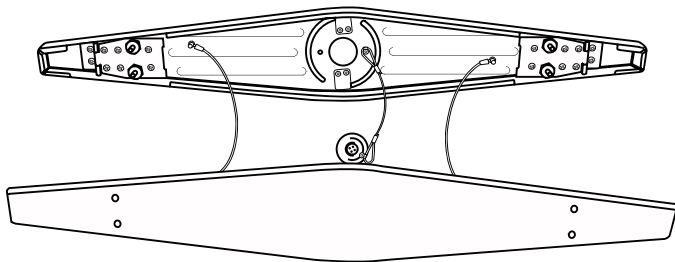


**WARNING: Shock Hazard.** May result in serious injury or death. Turn off power to all feeds before wiring or servicing.



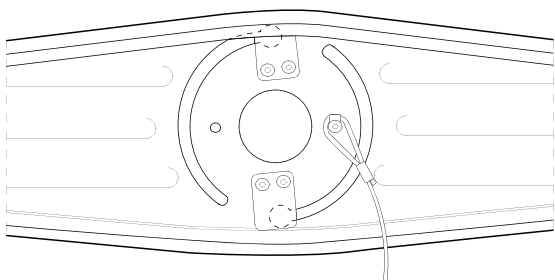
# 3.

Detach the canopy cover from the canopy base by pulling on the canopy cover.



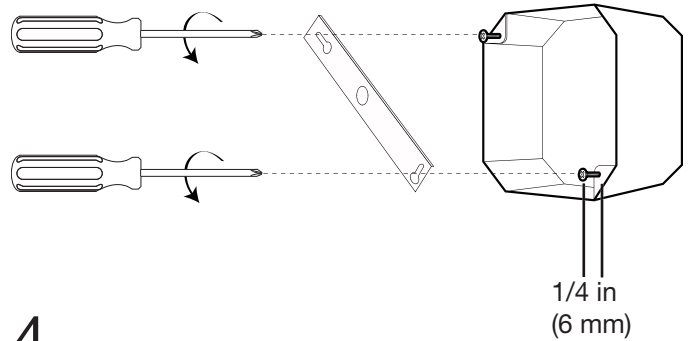
# 5.

Align the junction box screws over the keyhole slots in the canopy base. Push the canopy base upward until the screw heads deflect the spring latch and protrude through the slot. Twist the canopy base clockwise to engage in the slot.



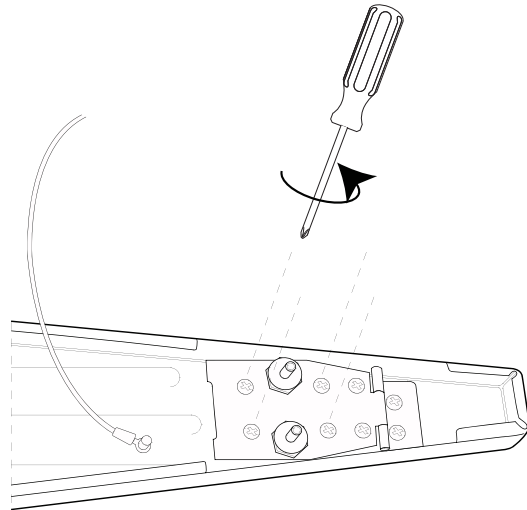
# 2.

Remove the cross-bar, if present, and loosen the connecting screws from the junction box (4 in [102 mm] or smaller octagonal or round.)



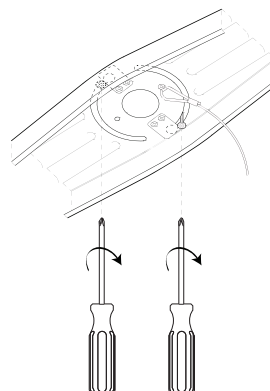
# 4.

Remove the 4 screws securing both the cable gripper brackets. Repeat for the other side.



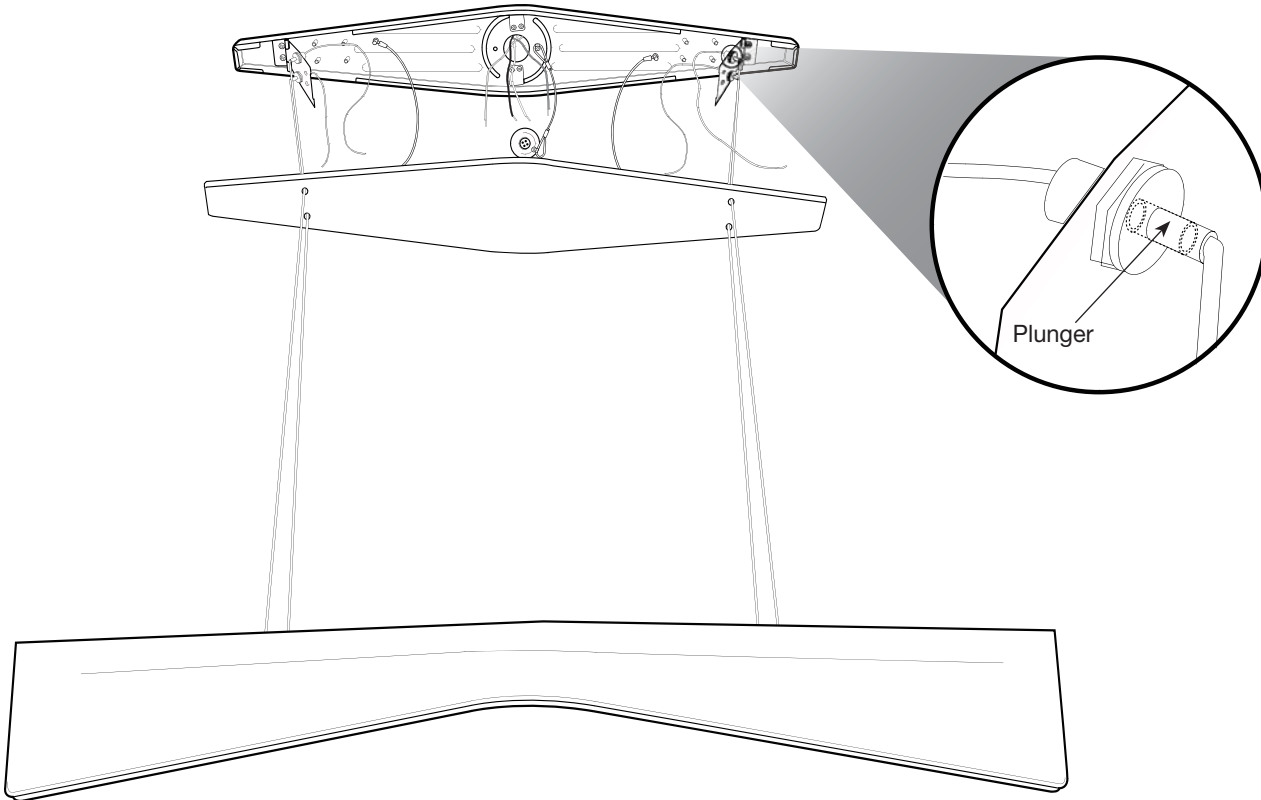
# 6.

Position the canopy base and secure the screws.



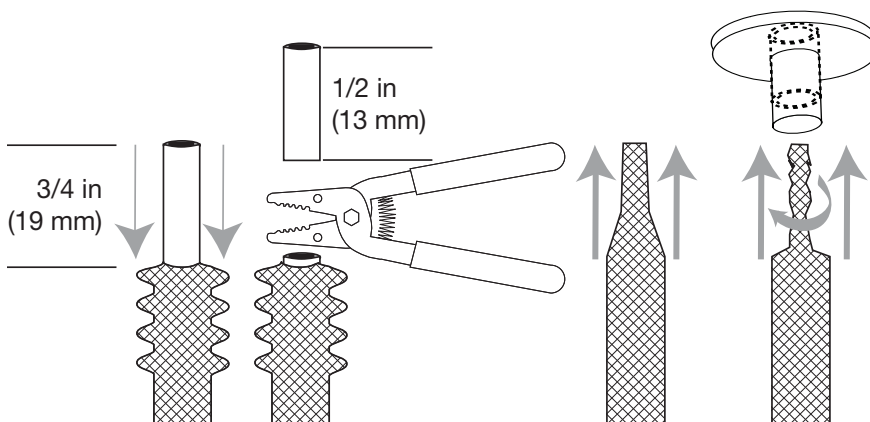
## 7. (2 person installation recommended)

Holding the fixture, run the corresponding wire from the fixture through the holes in the canopy cover. Press the gripper plunger to allow the cable to pass through the gripper. When the plunger is released, the cable is locked into place. Adjust each cable so that the bottom of the fixture is a minimum of 78 in (1981 mm) above the floor.



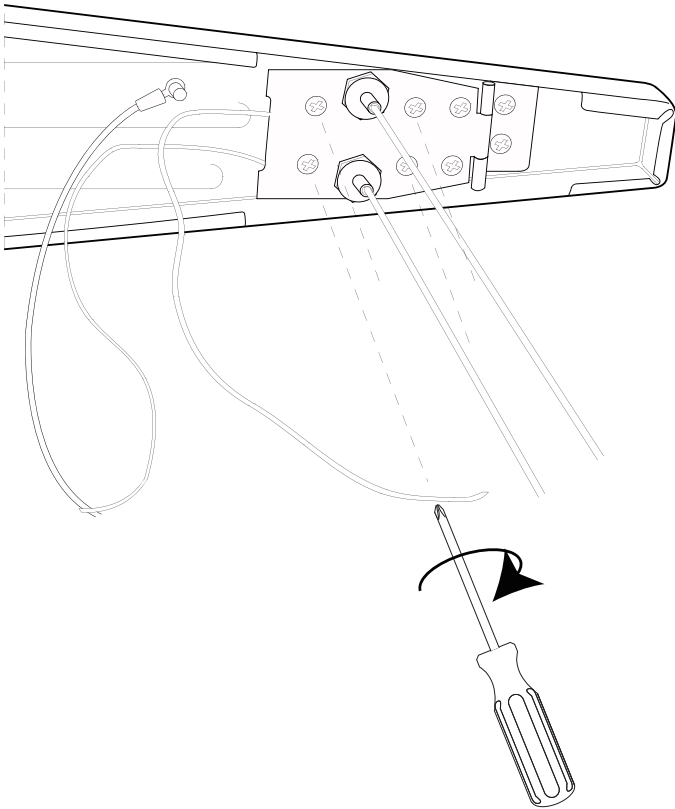
### TROUBLESHOOTING TIPS

If you are having difficulty routing the I-wire cable through the gripper, push the metal jacket back on the cable and cut off 1/2 in (13 mm) of the wire underneath. Pull the jacket back over the wire. Twist the jacket in the area without insulated wire inside to trap the wire and form a stiff piece for insertion into the gripper.



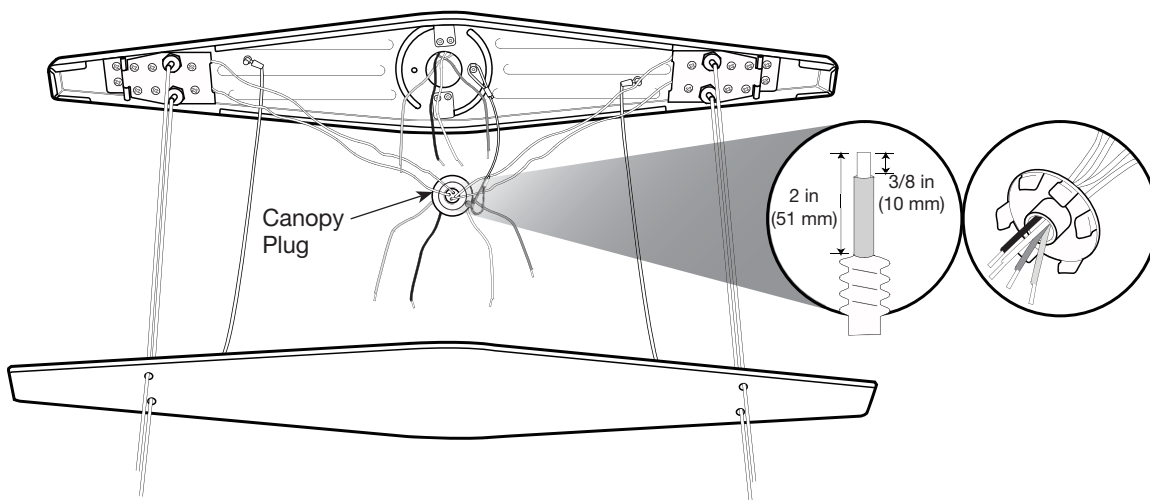
## 8.

Secure both cable gripper brackets with the 4 screws previously removed. Repeat for the other side.



## 9.

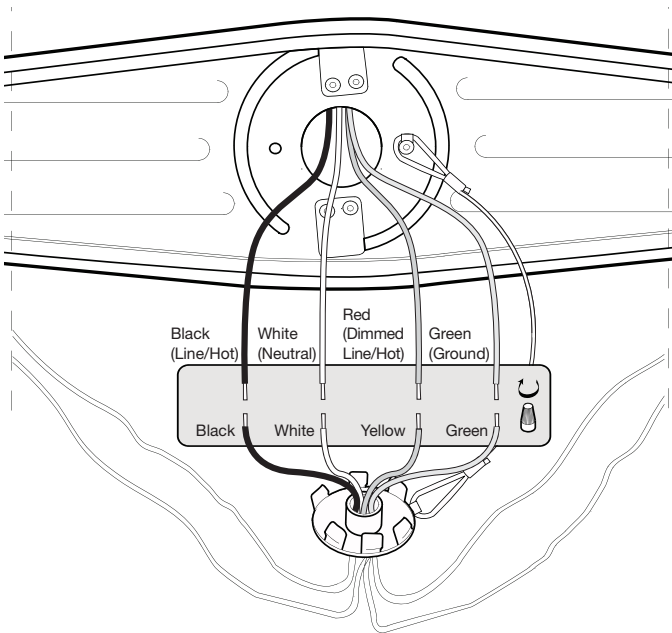
Run all 4 fixture cables through the canopy plug.



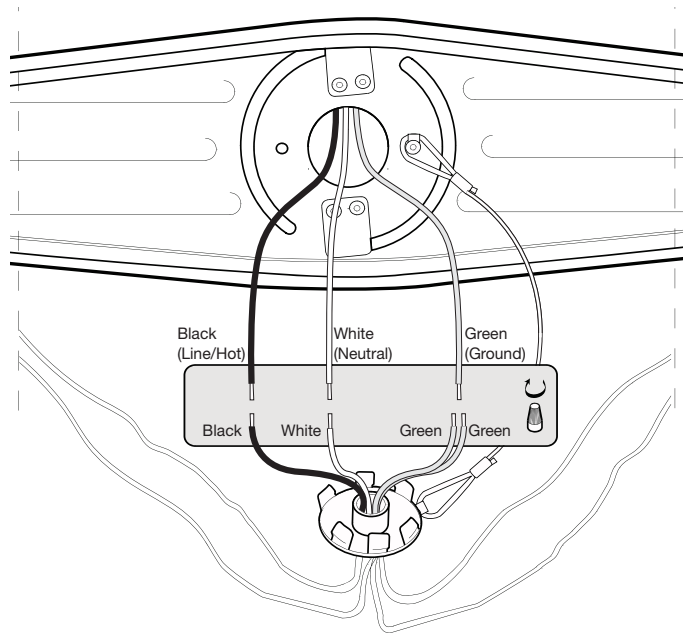
# 10. Wiring for Fluorescent and LED models

Make corresponding connections as illustrated below using wire connectors.

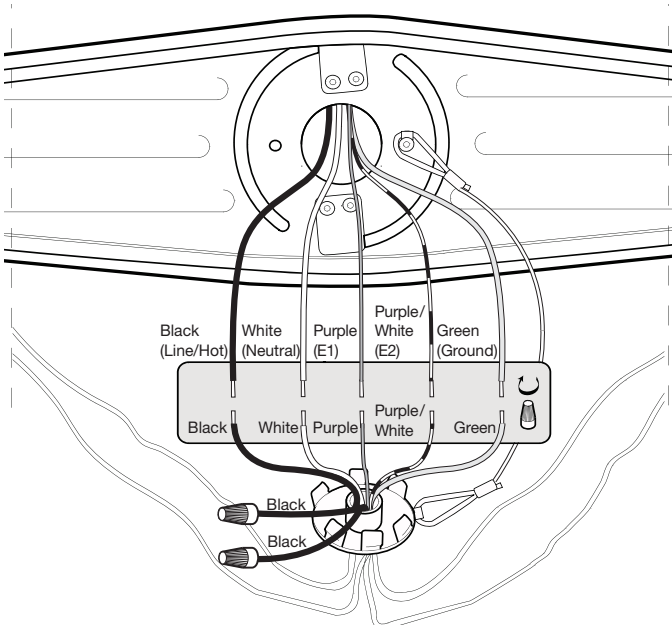
## A. Fluorescent/LED 3-wire dimming



## B. LED 2-wire dimming/Non-dimming Fluorescent Non-dimming



## C. Fluorescent/LED EcoSystem® dimming



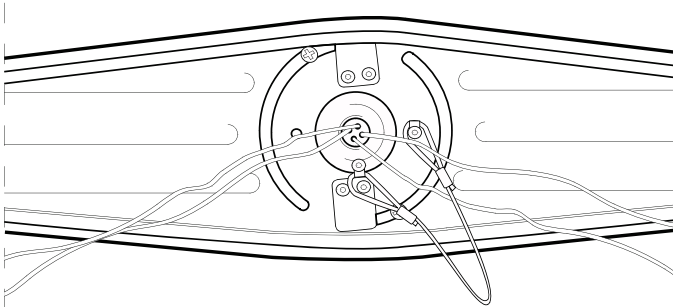
### COMPATIBLE CONTROLS

For a list of compatible controls and technical documents, visit [www.lutron.com/ivalo](http://www.lutron.com/ivalo)

**Note:** With EcoSystem® dimming wiring, (2) black, 30 AWG (0.051 mm<sup>2</sup>) wires are not used and should be trimmed (even with the stainless sheathing) or capped with a wire nut (not provided).

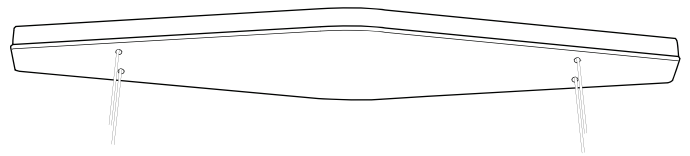
## 12.

Place the chassis plug in the canopy base center hole.



## 13.

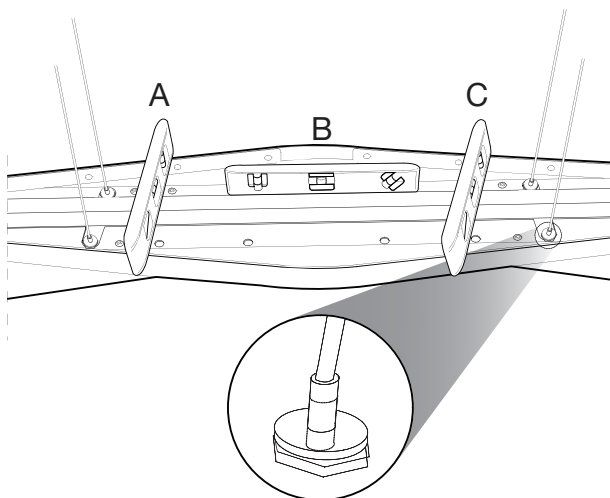
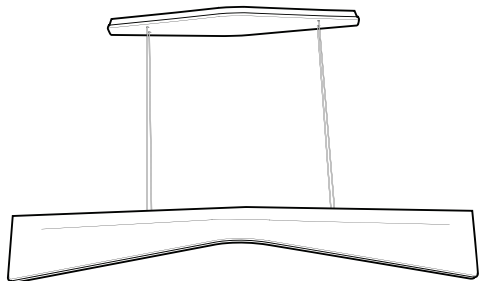
Snap the canopy cover onto the canopy base.



## 14.

**Leveling adjustment:** Level the fixture base by pressing in the gripper plunger in the fixture base to allow the cable to pass through the gripper. Release the gripper plunger to lock the cable in place. Use Positions A, B, and C to place leveling device.

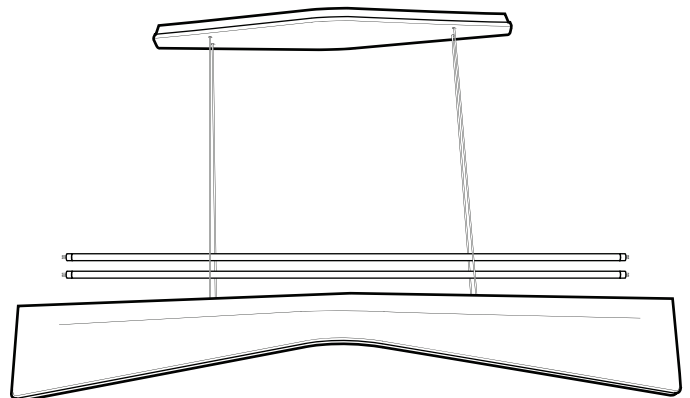
**Note:** The lower grippers are for fine adjustments of up to 1 in (25 mm) per cable.



## 15. Fluorescent only

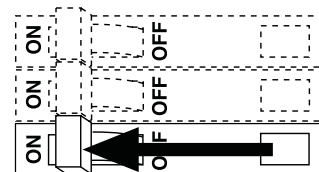
Insert the appropriate lamps in the socket.

Two T5 - 48 in (1219 mm) lamps.



## 16.

Turn ON the circuit breaker.



## Technical Notes

Standard cables are made for ceilings up to 12 ft (3658 mm). Optional 16 ft (4877 mm) cables are available. For longer cables, contact Lutron.

THIS PRODUCT MUST BE INSTALLED IN ACCORDANCE WITH THE APPLICABLE INSTALLATION CODE BY A PERSON FAMILIAR WITH THE CONSTRUCTION AND OPERATION OF THE PRODUCT AND THE HAZARDS INVOLVED.

## Limited Warranty

For 10 year limited warranty details, see [www.lutron.com/TechnicalDocumentLibrary/3683454.pdf](http://www.lutron.com/TechnicalDocumentLibrary/3683454.pdf)

## Trademarks

☀Lutron, Lutron, EcoSystem, Ivalo, Ivalo Lighting (registered in the US only), and Rotare are registered trademarks and Lutron Ivalo Lighting Collection is a trademark of Lutron Electronics Co., Inc.

## For Help

For help with applications or installations, please contact us at 610.282.7472 or fixtures@lutron.com

### Lutron Electronics Co., Inc.

7200 Suter Road

Coopersburg, PA 18036-1299, USA

Customer Service: 610.282.7472

Fax: 610.282.7600

fixtures@lutron.com

[www.lutron.com/ivalo](http://www.lutron.com/ivalo)

©2014-2016 Lutron Electronics Co., Inc.