



Volumetric LED and Fluorescent Fixture Installation Instructions

Important Notes

1. Install and wire in accordance with national and local electrical codes, by a qualified professional familiar with the construction and operation of luminaire electrical systems and the hazards involved.
2. The Volumetric Fixtures are available in Fluorescent and LED lamp options:
 - Fluorescent Fixture: Lamps are not included. Use only lamps conforming to the IEC 60081/60901 specification (**Figure 1**).
 - Note:** Consult lamp manufacturer for lamp burn-in requirements.
 - LED Fixture: LED light source is included and pre-installed in the fixture (avoid physical contact with LEDs) (**Figure 2**).
3. Fixture may be sharp – handle with care. Be careful not to damage the lens.
4. Let fixture cool before performing maintenance.
5. Clean hands before handling the luminaire or use clean gloves.
6. Adequate blocking/support structure and mounting hardware provided by others.
7. Remove internal lens support packaging from lamp compartment after fixture is installed in ceiling. Internal lens support packaging folds flat for easy removal (**Figure 1 & 2**).
8. Make sure side lenses are snapped into place under end cap tabs (**Figure 3**).
9. Cleaning: Clean the fixture with soap and water, isopropyl alcohol, or other neutral pH factor solvents. Use non-abrasive cleaning material. Do not use ammonia or other alkali solutions.
10. Fixture environment conditions: 0 to 90% humidity. Non-condensing, indoor/dry location use only. Ambient operating temperature:
 - Fluorescent Fixture: 50 to 104 °F (10 to 40 °C).
 - LED Fixture: 32 to 104 °F (0 to 40 °C).
11. Supply Connections: Use wire rated for 600 V with a minimum temperature rating of 194 °F (90 °C).

IMPORTANT INFORMATION Please Read Before Installing

Figure 1: Fluorescent Fixture

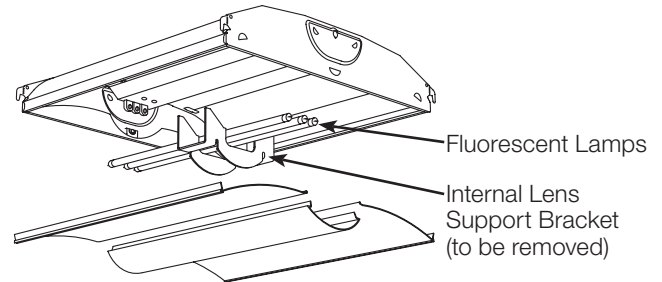


Figure 2 : LED Fixture

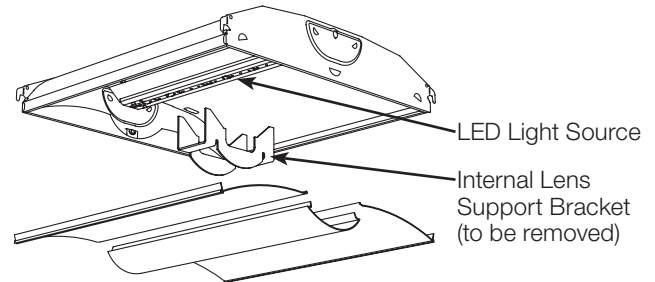
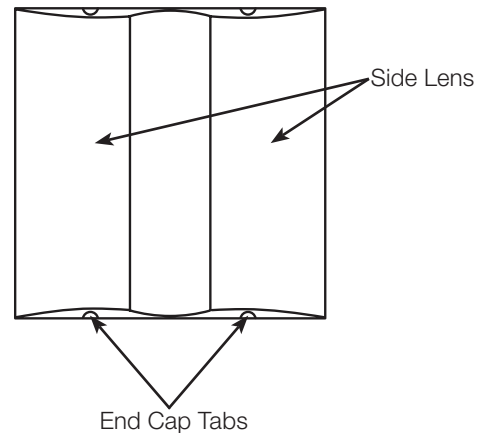


Figure 3 : End Cap Tabs



P/N 041425a 05/2014

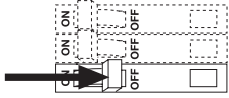


Installation



WARNING: Shock Hazard. May result in serious injury or death. Switch off power to all power feeds via circuit breaker or isolator before wiring or servicing.

1. Turn off power to the fixture location.



2. Remove the existing fixture (if applicable) and preserve power wiring.

3. Prepare the new fixture for installation (**Figure 4**):

A. Remove lens

- Gently grasp center lens by the sides and shift to either end.
- Pull the exposed end down and remove the lens once the lip clears the housing.

B. Remove lens support packaging and any additional lens packaging.

4. Mount fixture according to mounting type below:

- Surface Mount (**Figure 5**): using the holes provided, mount surface box and fixture in desired location using #10 screws and washers.

- Gypsum Ceiling Mount (**Figure 6**):

A. Cut rough-in hole based on dimensions below:

- 2 x 2 ft: 24 ½ in (622 mm) x 24 ½ in (622 mm)
- 2 x 4 ft: 24 ½ in (622 mm) x 48 ½ in (1232 mm)

B. Remove nuts from flange box studs to separate flange box and fixture.

C. Using holes provided, mount flange box in desired location to adequate blocking/support structure. Hardware and blocking/support provided by others.

D. Secure fixture to flange box by re-tightening nuts onto the flange box studs.

- T-Bar Mount (**Figure 7**):

A. Angle the fixture and lift into grid location.

B. Secure fixture over ceiling grid per all local and national codes. Code may require seismic clips (provided by others).

- Lower fixture into place and ensure grid hooks are clipped onto ceiling grid.
- Attach tie wire (provided by others) to tie back hole and secure to structure.

Figure 4: Prepare Fixture

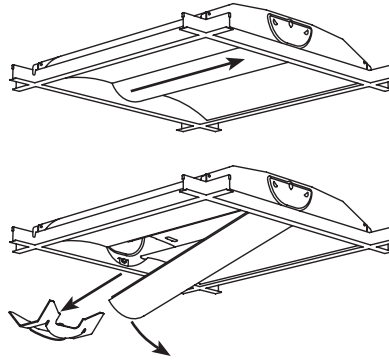


Figure 5: Surface Mount

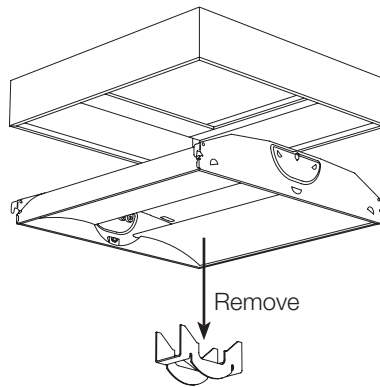


Figure 6: Gypsum Ceiling Mount

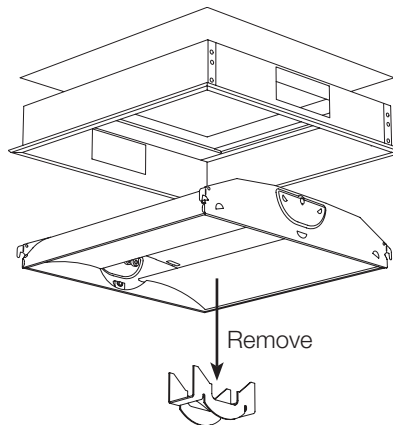
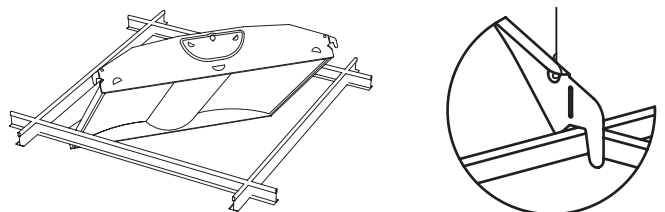


Figure 7: T-Bar Mount



Continued on next page...

Installation (continued)

5. Wire fixture to power supply (**Figure 8**):
 - A. Remove wire access covers. 1/2 in (13 mm) EMT knockout typical.
 - B. Connect power feed conduit using the factory installed power disconnect conductors.
 - Input side: daisy chain
 - Power side: solid/stranded (19 strands minimum)
 - Ballast side: 18 AWG (0.75 mm²) solid
 - C. Reinstall wire access covers.
6. Connect the ballast/driver to the power supply according to the type of control used:
 - A. EcoSystem[®] control: Do not connect the Dimmed Hot (orange) wire. Cap it off or remove it from the terminal (**Figure 9**).
 - B. 3-wire control: Do not connect the E1 (purple) and E2 (purple/white) wires. Cap them off or remove them from the terminals (**Figure 10**).
7. Install appropriate lamps (fluorescent models only) (**Figure 11**).
8. Reinstall the lens.
9. Restore power.

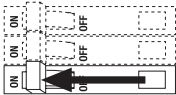


Figure 8: Wiring

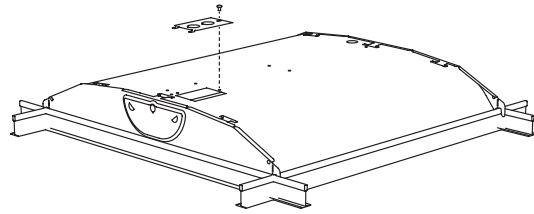
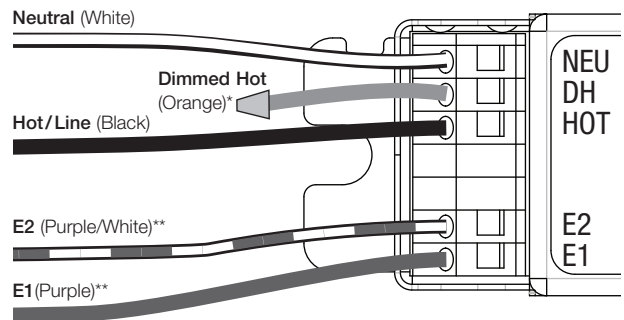


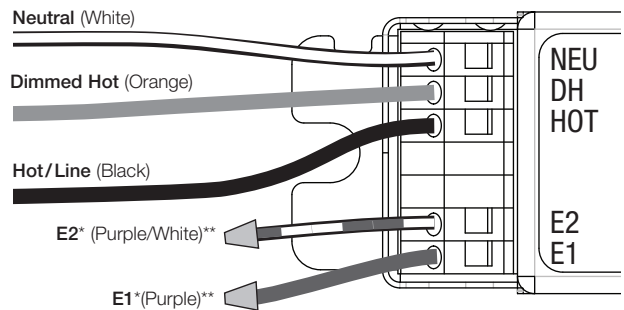
Figure 9: EcoSystem[®] Control Wiring



* Cap off or remove wire(s) not used.

** E1 and E2 may be reversed on the ballast or driver depending on load type.

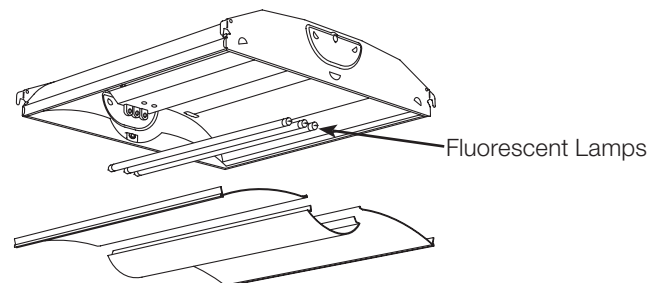
Figure 10: 3-Wire Control Wiring



* Cap off or remove wire(s) not used.

** E1 and E2 may be reversed on the ballast or driver depending on load type.

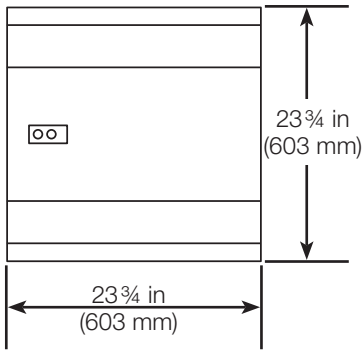
Figure 11: Install Fluorescent Lamps



Fixture Dimensions

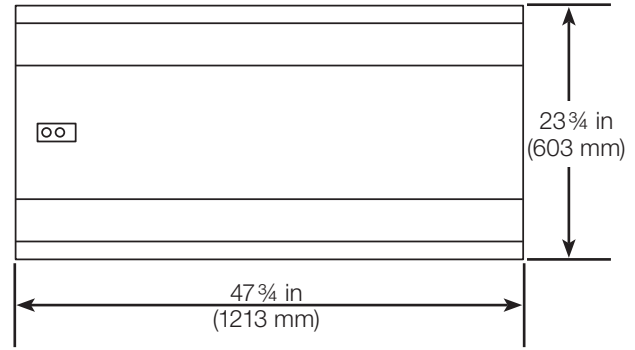
Back View

2 x 2 ft



Back View

2 x 4 ft



Troubleshooting

Symptoms	Solution(s)
Fixture will not mount properly.	<ul style="list-style-type: none"> Ensure that the correct fixture was purchased for the ceiling type (e.g., surface mount, gypsum, T-Bar). Flange kits are available to convert fixtures to match the ceiling type. Please contact fixtures@lutron.com for pricing and availability.
Lights are flickering, flashing, dropping out, or not turning on.	<ul style="list-style-type: none"> Check all wires, lamp connections, and sockets to ensure that they are properly connected. Ensure that 120-277 V~ power is present and properly connected to the fixtures. Ensure ambient temperature is within the specified range. Ensure LED quick connect is connected between the driver and LED load. Contact Lutron Technical Support for further assistance.
Lights remain at one level and do not change.	<ul style="list-style-type: none"> Ensure that the digital link or control wire is connected to the ballast or driver. Verify that the control is wired correctly.

Worldwide Headquarters

USA

Lutron Electronics Co., Inc.
7200 Suter Road
Coopersburg, PA 18036-1299
USA
TEL: +1.610.282.3800
FAX: +1.610.282.1243
Technical support: 1.800.523.9466
or +1.610.282.6701
Toll-free: 1.888.LUTRON1

European Headquarters

United Kingdom

Lutron EA Ltd
6 Sovereign Close
London, E1W 3JF, UK
TEL: +44.(0)20.7702.0657
FAX: +44.(0)20.7480.6899
Technical support: +44.(0)20.7680.4481
FREEPHONE: 0800.282.107

Asian Headquarters

Singapore

Lutron GL Ltd
15 Hoe Chiang Road
Tower Fifteen
Singapore, 089316
TEL: +65.6220.4666
FAX: +65.6220.4333
Technical support: 800.120.4491

Warranty:

www.lutron.com/warranty

Lutron and  are registered trademarks of Lutron Electronics Co., Inc.

© 2014 Lutron Electronics Co., Inc.