

Installation Instructions

Please Read Before Installing

LINC™ Enclosure

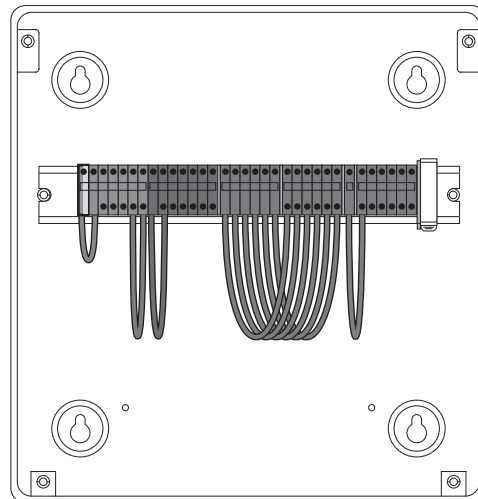
EDB-WPM-GRX-6-CE

220-240 V~ 50/60 Hz 13 A

Overview

The *LINC* Enclosure is for use with HomeWorks® Wallbox Power Modules (WPM) or 6-zone GRAFIK Eye® Main Control Units. The *LINC* Enclosure provides a means to prewire for a *HomeWorks* lighting control system, thereby eliminating the need to pull wiring when the *HomeWorks* system is installed.

EDB-WPM-GRX-6-CE



Important Notes

Codes: Install in accordance with all applicable electrical codes.

Environment: Ambient operating temperature: 0 °C to 40 °C, 0-90% humidity, non-condensing. Indoor use only.

Mounting: *GRAFIK Eye* Control Unit and WPM will generate heat and slight audible noise when in operation.

Spacing: If mounting one *LINC* Enclosure above another, leave at least 114 mm vertical space between them.

Cleaning: To clean, wipe with a clean damp cloth. **DO NOT** use any chemical cleaning solutions.

Installation

1. **Mount the LINC™ Enclosure** using one of the following methods (mounting hardware is not provided):

a. **Surface Mount** - Use keyholes shown in Mounting Diagram with bolts sufficient for 14 kg load (M6 bolts recommended).

b. **Recess Mount** - Use screws sufficient for 14 kg through the sides of the box. Mount box flush to or not more than 3 mm below the finished wall surface. Box is 98 mm deep past cover mounting holes. Box cover dimensions are 255 mm x 250 mm.

CAUTION - Mount box so that line voltage wiring will be at least 1.8 m from audio or electronic equipment and its wiring.

CAUTION - All wiring must be installed in accordance with all local and national electrical codes.

CAUTION - This unit is intended for indoor use only.



WARNING - To avoid the risk of electric shock, locate and lock supply breaker in the OFF position before wiring to power terminal blocks.

2. **Run power wiring (220–240 V~) into the box.**

Locations to run power wiring into the box are shown in the Wiring Entry Diagram. Feed and Load Terminal blocks will accept one 1 mm² to 2.5 mm² (18 to 10 AWG) wire or two 1 mm² to 1.5 mm² (18 to 16 AWG) wires. Ground terminal blocks will accept one 4 mm² (6 AWG) or two 2.5 mm² (10 AWG) wires. Tighten terminal blocks to 0.4 to 0.6 N•m. Do not overtighten.

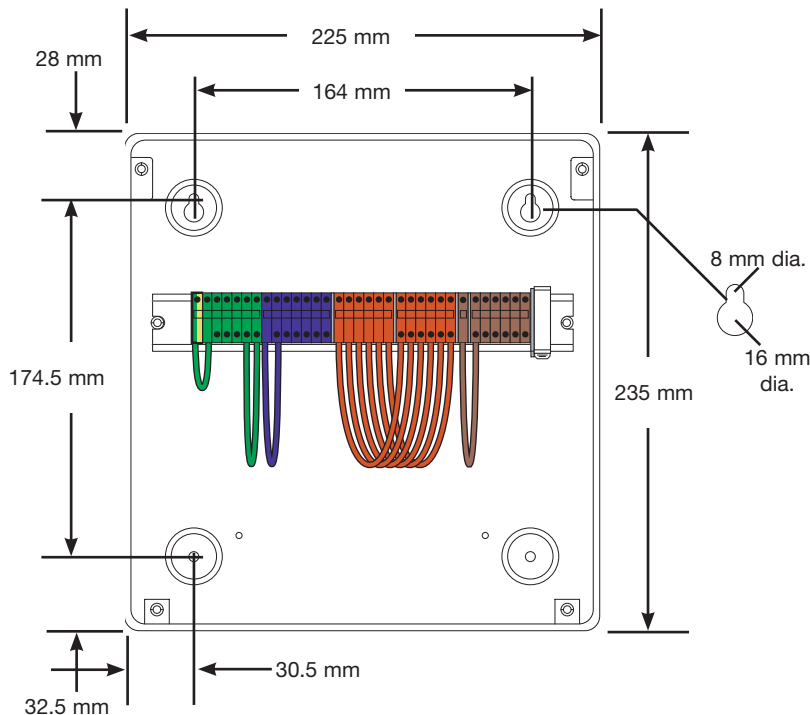
3. **Install load/switch wiring.** See Mains Voltage Wiring Diagram - Initial Installation (page 3). LABEL EACH WIRE CLEARLY AS YOU WIRE TO THE TERMINAL BLOCKS.

4. **Test all load/switch wiring.** Turn on input power to the LINC Enclosure locations. Check all connected lighting and switches to ensure they function properly. If a breaker trips, a wiring error exists and must be resolved.

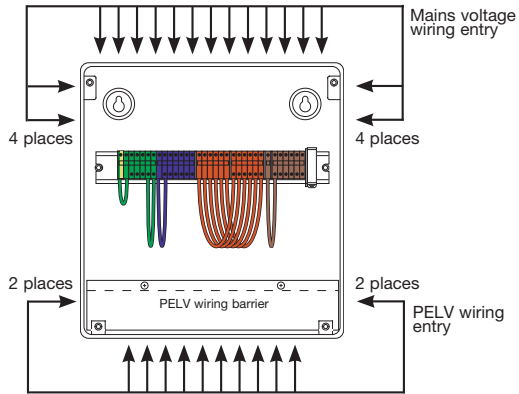
5. **Run PELV wiring into the box.** Locations to run PELV wiring into the box are shown in the Wiring Entry Diagram. For more wiring detail, including wire types and limitations, see HomeWorks® System Prewire Diagrams (page 4).

6. **Install cover.** Tighten cover screws to 2.3 N•m. If temporary cover was removed, replace temporary cover.

Mounting Diagram

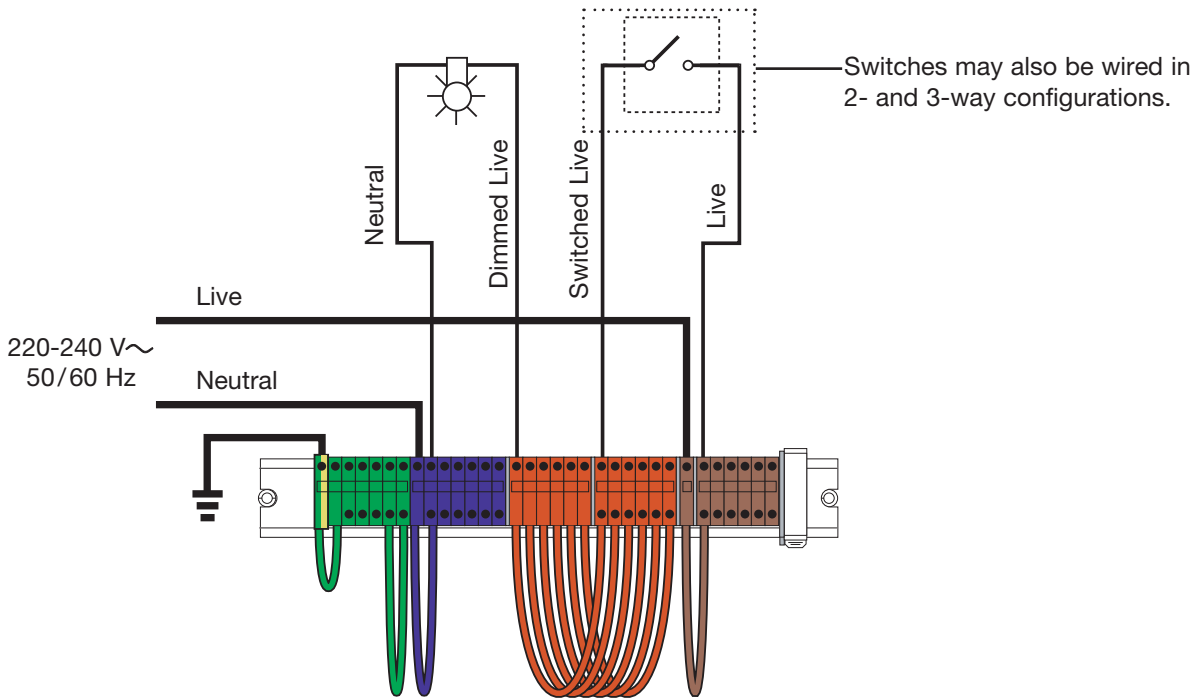


Wiring Entry Diagram



Mains Voltage Wiring Diagrams—Initial Installation

Example shows 1 of 6 zones.

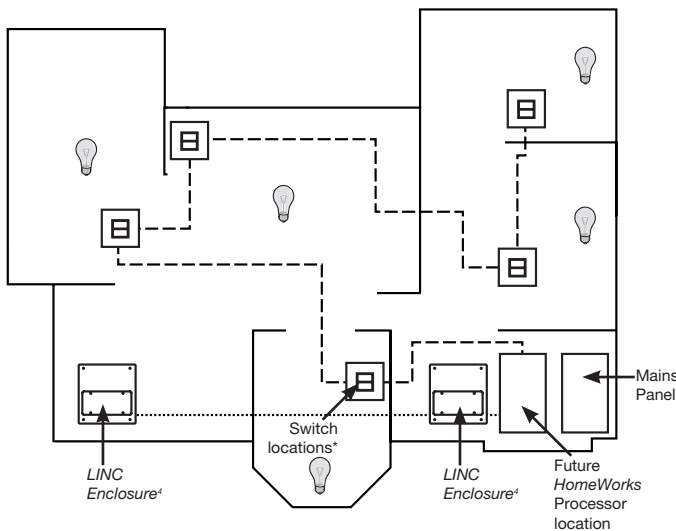


HomeWorks® System Prewire Diagrams

One of the following two prewire methods may be used when installing the LINC™ Enclosure.

Scenario A—Daisy-chain Keypad Wiring

Overview



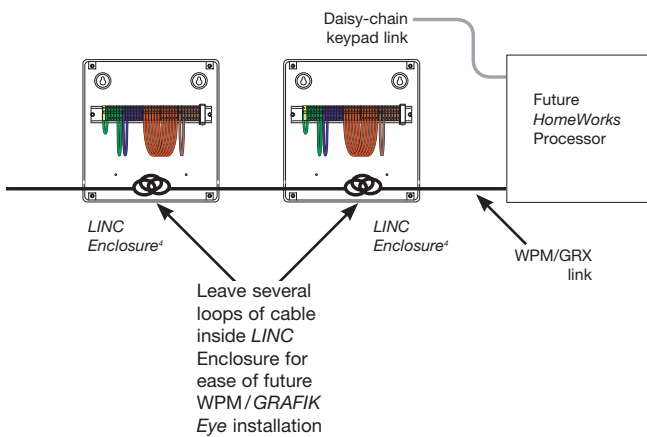
--- Indicates keypad link wiring:
Two pair – one pair 1.0 mm² (18 AWG), one pair 0.5 mm² to 1.0 mm² (22 AWG to 18 AWG) twisted shielded – PELV wire. Lutron wire model # GRX-CBL-356S-500 may be used. See Notes 1 and 2.

..... Indicates WPM/GRX link wiring:
Two pair – one pair 1.0 mm² (18 AWG), one pair 0.5 mm² to 1.0 mm² (22 AWG to 18 AWG) twisted shielded – PELV wire. Lutron wire model # GRX-CBL-356S-500 may be used. See Note 3.

Scenario A Notes:

- Keypad Link Wiring:** May be wired in any configuration, 305 m per daisy-chain, 1 220 m maximum wire length.
- Keypad Link Wiring:** Maximum 10 keypads per daisy-chain.
- WPM/GRX Link Wiring:** Wiring must be daisy-chained, 610 m maximum wire length.
- WPM/GRX Link Wiring:** Maximum 8 Wallbox Power Modules and/or GRAFIK Eye® Control Units per WPM/GRX link.

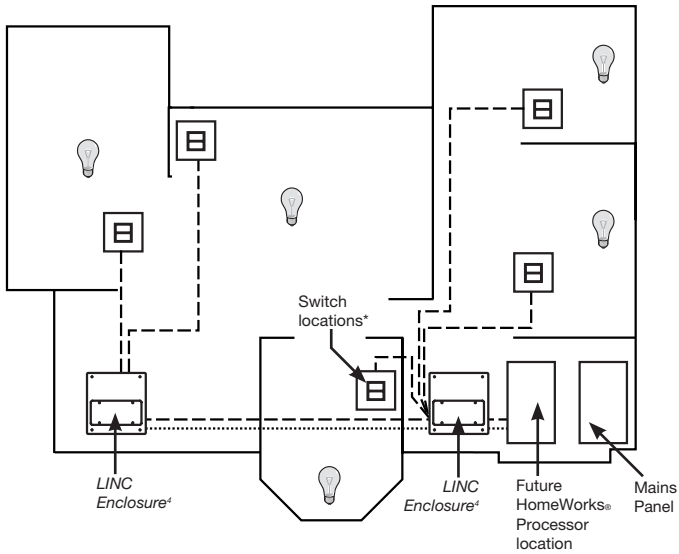
Detail



* Switch locations: Loop keypad cable inside box for ease of future keypad installation.

Scenario B—Home-run Keypad Wiring

Overview

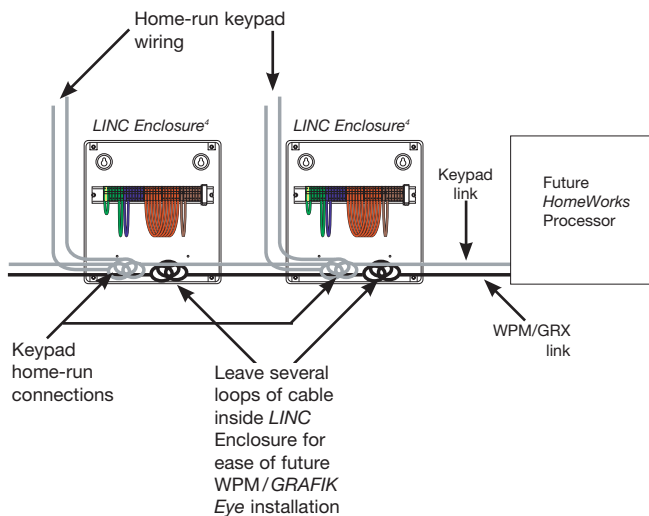


---	Indicates keypad link wiring: Two pair – one pair 1.0 mm ² (18 AWG), one pair 0.5 mm ² to 1.0 mm ² (22 AWG to 18 AWG) twisted shielded – PELV wire. Lutron wire model # GRX-CBL-356S-500 may be used. See Notes 1 and 2.
.....	Indicates WPM/GRX link wiring: Two pair – one pair 1.0 mm ² (18 AWG), one pair 0.5 mm ² to 1.0 mm ² (22 AWG to 18 AWG) twisted shielded – PELV wire. Lutron wire model # GRX-CBL-356S-500 may be used. See Note 3.

Scenario B Notes:

- Keypad Link Wiring:** May be wired in any configuration, 305 m per daisy-chain, 1 220 m maximum wire length.
- Keypad Link Wiring:** Maximum 10 keypads per home run.
- WPM/GRX Link Wiring:** Wiring must be daisy-chained, 610 m maximum wire length.
- WPM/GRX Link Wiring:** Maximum 8 Wallbox Power Modules and/or GRAFIK Eye® Control Units per WPM/GRX link.

Detail



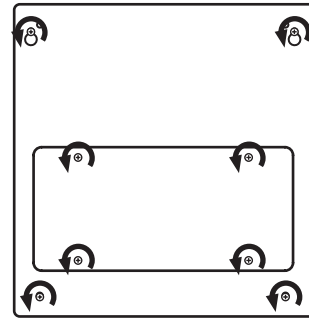
GRAFIK Eye® Control Unit / Wallbox Power Module Installation



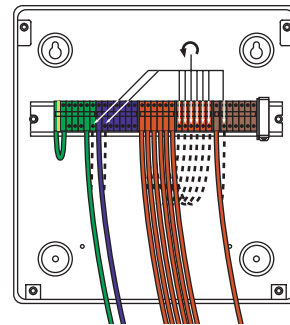
WARNING - To avoid the risk of electric shock, locate and lock supply breaker in the OFF position before wiring to power terminal blocks.

1. Remove cover from LINC™ Enclosure. Remove cover plate from front of LINC Enclosure cover (see Cover Removal).
2. Loosen terminals for Live jumper wire, Neutral jumper wire, Earth Ground jumper wire, and Load jumper wires (see Jumper Wire Removal).
3. Pull wires through opening in LINC Enclosure cover. Replace cover.
4. Wire the jumper wires to the GRAFIK Eye Control Unit or Wallbox Power Module to be installed (see GRAFIK Eye/WPM Wiring Diagram). Each terminal on the GRAFIK Eye Control Unit or WPM will accept up to two 2.5 mm² (12 AWG) wires.
5. Mount GRAFIK Eye Control Unit or WPM in the LINC Enclosure cover opening.

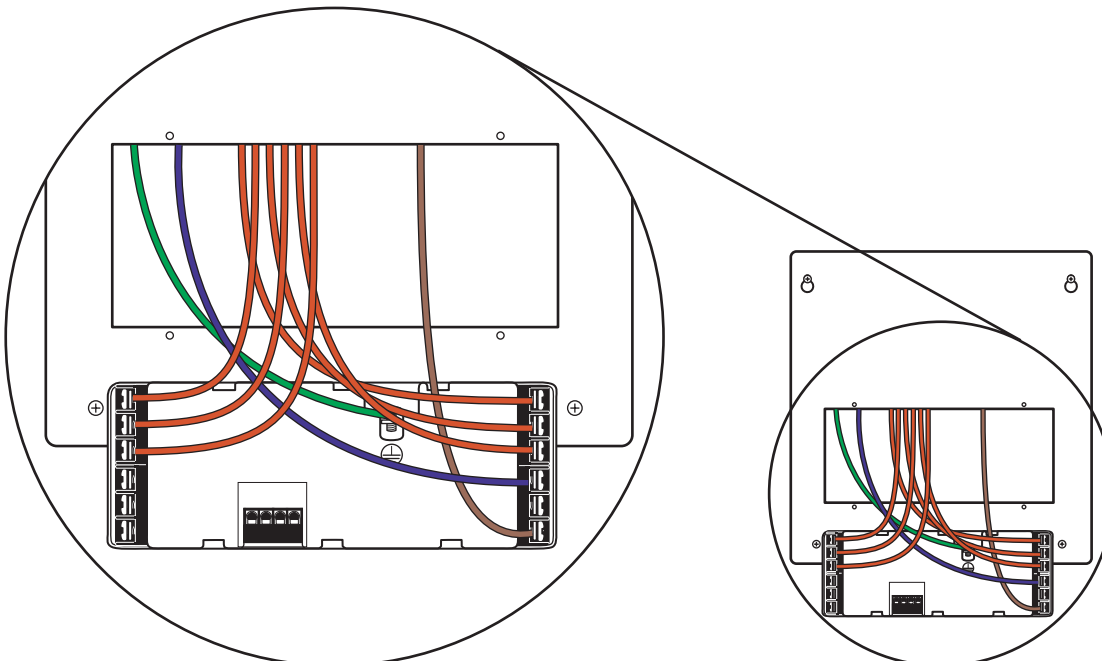
Cover Removal



Jumper Wire Removal



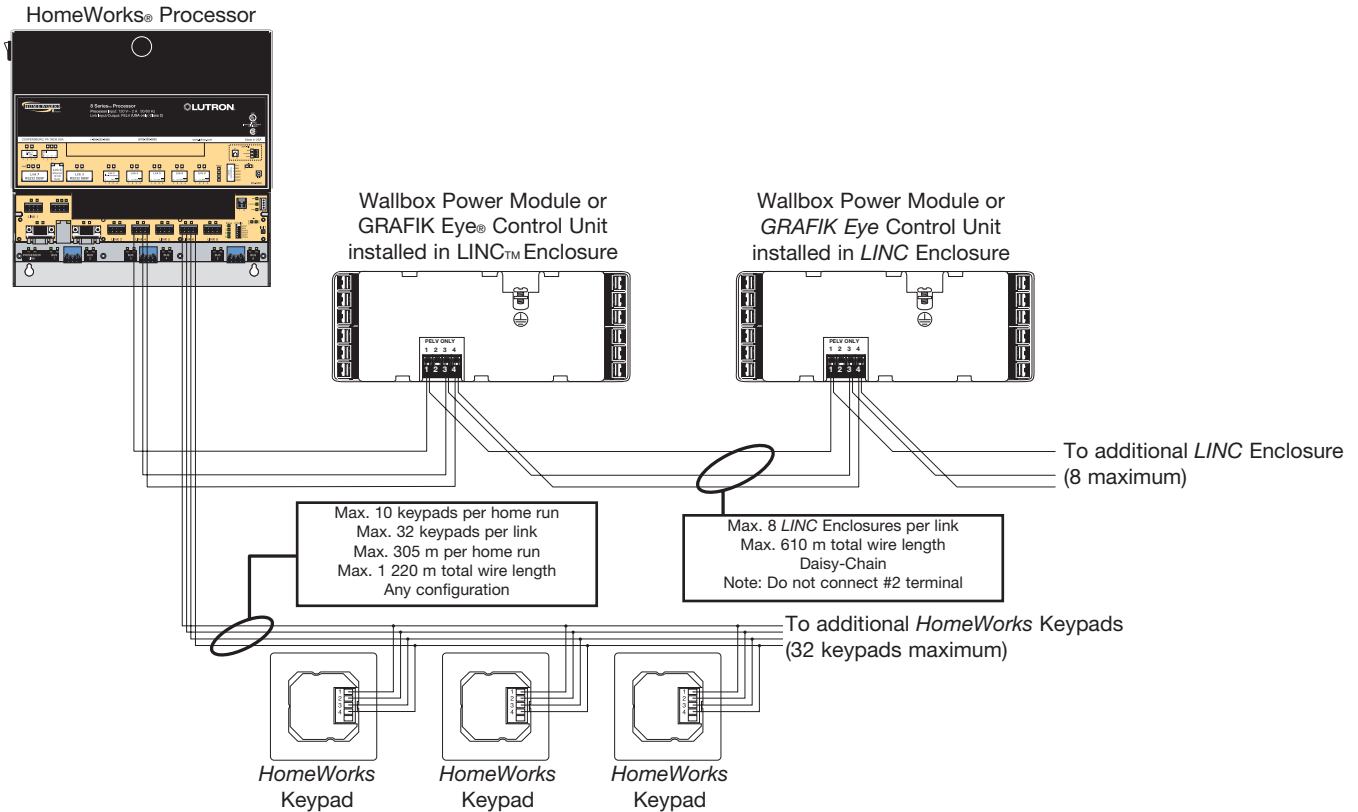
GRAFIK Eye Control Unit / Wallbox Power Module Wiring Diagram



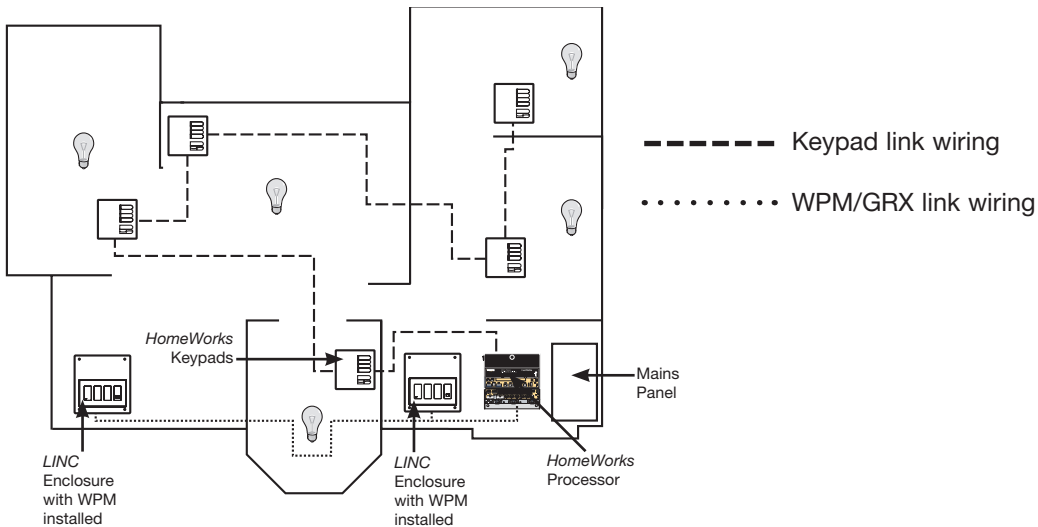
PELV Wiring Diagram

Wire Type

Type A: Two pair – one pair 1.0 mm² (18 AWG), one pair 0.5 mm² to 1.0 mm² (22 AWG to 18 AWG) twisted shielded – PELV wire. Lutron® wire model #GRX-CBL-356S-500 may be used.



HomeWorks System Installed (daisy-chain keypad wiring shown)



Technical and Sales Assistance

If you need assistance, call the *Lutron Technical Support Center*. Please provide exact model number when calling.

World Headquarters

U.S.A.

Lutron Electronics Co., Inc.
7200 Suter Road
Coopersburg, PA 18036-1299 U.S.A.
Technical Support:
+1.800.523.9466 (U.S.A., Canada and the Caribbean)
Other countries call:
Tel: +1.610.282.3800
Fax: +1.610.282.3090

European Headquarters

United Kingdom

Lutron EA Ltd.
6 Sovereign Close
London, E1W 3JF, UK
Technical Support: +44.(0)20.7680.4481
FREEPHONE: 0800.282.107
Tel: +44.(0)20.7702.0657
Fax: +44.(0)20.7480.6899

Visit our Web site at www.lutron.com

Lutron Electronics Co., Inc.
7200 Suter Road
Coopersburg, PA 18036-1299
Made and printed in the U.S.A. 2/08 P/N 043-200 Rev. A

LIMITED WARRANTY

What This Warranty Covers

Lutron warrants each new Unit to be free from defects in materials or workmanship under conditions of normal use and specified ambient temperature when installed and operated in accordance with Lutron product specifications and applicable EU and local safety regulations.

What This Warranty Does Not Cover

This warranty does not cover:

- 1) Damage or improper operation determined by Lutron to be due to abuse, misuse, or accident, such as:
 - a. Use of incorrect line voltages;
 - b. Use of incorrect fuses or breakers;
 - c. Failure to follow operating instructions provided by Lutron;
 - d. Failure to maintain and operate equipment in accordance with applicable EU and local safety regulations;
 - e. Failure to maintain equipment under specified ambient temperature;
 - f. Unauthorized or improper repairs or adjustments;
 - g. Vandalism; and
 - h. Fire, flood, "Acts of God", and other problems beyond the control of Lutron.
- 2) Labor costs to remove and reinstall electronic fixture packs and/or ballasts.
- 3) Components and equipment external to the Lutron Unit, such as:
 - a. Lamps;
 - b. Ballasts, sockets, and fixtures;
 - c. Wiring between ballasts and lamps;
 - d. Building wiring;
 - e. Other manufacturers' equipment, such as:
 1. Time clocks;
 2. Audio-visual equipment;
 3. Motion detectors;
 4. Photosensors;
 5. Driveway sensors;
 6. Pressure pads;
 7. Shades; and
 8. Spas.
- 4) The cost of repairing or replacing property other than the warranted Unit.

What Lutron Will Do

To the extent permitted by law, Lutron will, at its option, repair or replace any Unit that is defective in materials or manufacture which, in Lutron's opinion, has been properly installed, wired, insulated, used, and maintained. Lutron shall not be required to remove, install, or re-install any defective Unit. Credit will be granted against the purchase price for replacement parts according to the following schedule:

For the first 2 years from the date of installation	100%
For years 3, 4, and 5 from the date of installation	50%
For years 6, 7, and 8 from the date of installation	25%

How To Get Service

Promptly notify Lutron if you believe the Unit is defective. Send the defective Unit, postage prepaid, with a brief written description of the problem to:

Lutron EA Ltd.
6 Sovereign Close
London, E1W 3JF, UK

Lutron, GRAFIK Eye, and the sunburst logo are registered trademarks in the United Kingdom. Lutron, GRAFIK Eye, HomeWorks, and the sunburst logo are registered trademarks in the Community Trademark System.
© 2008 Lutron Electronics Co., Inc.

