

## Installation Instructions

*Please Read Before Installing*

### Auxiliary Power Supply Panels

**PPS1-120-15DC-3A**

**PPS2-120-15DC-3A**

Input: 120 V~ 1 A 50/60 Hz  
Output: 15 V= 3 A

Input: 120 V~ 2 A 50/60 Hz  
Output: 15 V= 3 A each

- Mount Enclosure** using one of the following methods (mounting hardware is not provided):
  - Surface Mount** - Use keyholes shown in Figure 1 with bolts sufficient for 50 lbs. (23 kg) load (1/4 in. (6 mm) bolts recommended).
  - Recess Mount** - Use screws through the right side of the panel sufficient for 50 lbs. (23 kg) load. Mount panel flush to or not more than 1/8 in. (3 mm) below the finished wall surface. Panel is 2-7/8 in. (62 mm) deep past cover mounting tabs.



**Danger** - Locate and lock supply breaker in the OFF position before wiring to power terminal blocks.



**Caution** - This equipment is air-cooled. Mount in a location where the vented cover will not be blocked.



**Caution** - All wiring must be in accordance with national and local electrical codes.



**Caution** - This unit is intended for indoor use only.

- Run 120 V~ power wiring into the enclosure.** The location to run power wiring into the panel is shown in Figure 1. Terminal blocks (see Figure 2) will accept one 18 through 10 AWG (1-2.5 mm<sup>2</sup>) wire or two 18 or 16 AWG (1-1.5 mm<sup>2</sup>) wires. Tighten terminal blocks to 5.25 in.-lbs. (.6 N•m). Do not overtighten.

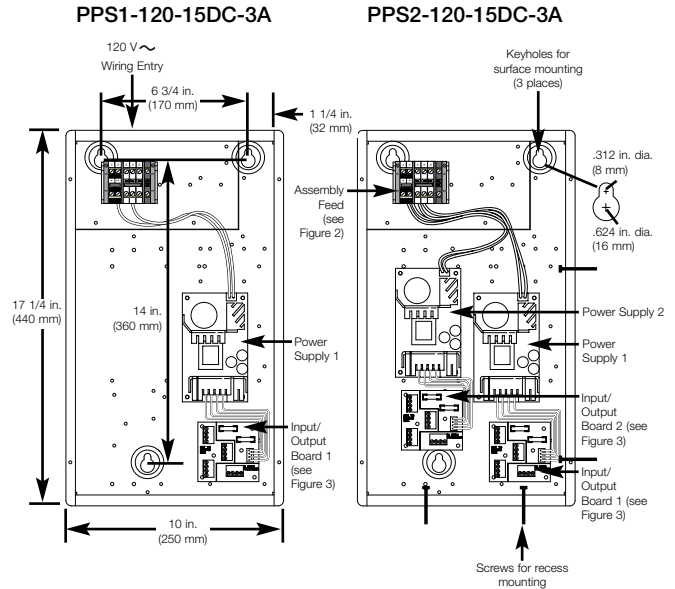
- Connect low voltage wiring to terminal block.** Connect the keypad link to the locations indicated in Figure 3. The communications link from the processor should be connected to the "IN FROM PROCESSOR" block, and each home run of keypads to be powered by the PPS1(2)-120-15DC-3A should be connected to one of the three equivalent "OUT TO KEYPAD LINK" blocks (see Figure 4). Connect all four wires on each terminal. The PPS1-120-15DC-3A can provide power for up to **500** keypad LEDs and the PPS2-120-15DC-3A can provide power for up to **1000** keypad LEDs (see Figure 5, page 2). Each Input/Output Board has a replaceable fuse to protect the power supply from an over-current fault. Each board also provides one spare fuse. Bel® Fuse part number 5TT3.15-R may be used if replacement fuses are needed.



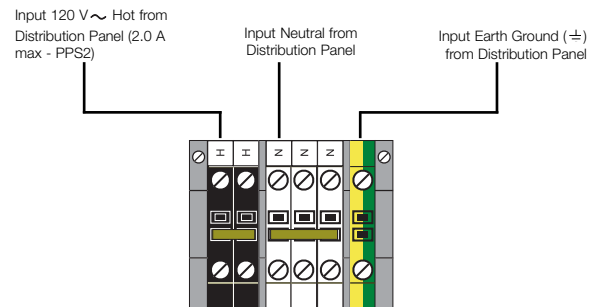
**Danger** - Risk of electric shock. Do not restore power to the enclosure until the cover is installed.

- Install cover.** Ensure the vents are on the right-hand side of the enclosure, over the power supply printed circuit board. Tighten screws to 20 in.-lbs. (2.3 Nm). Do not overtighten.

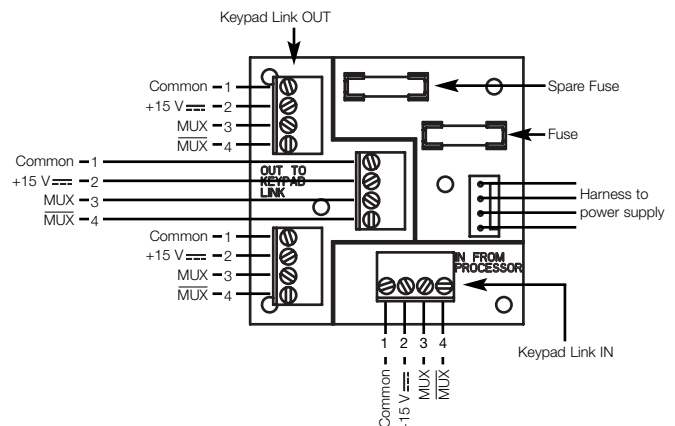
**Figure 1 - Mounting and Dimensions**



**Figure 2 - Assembly Feed**

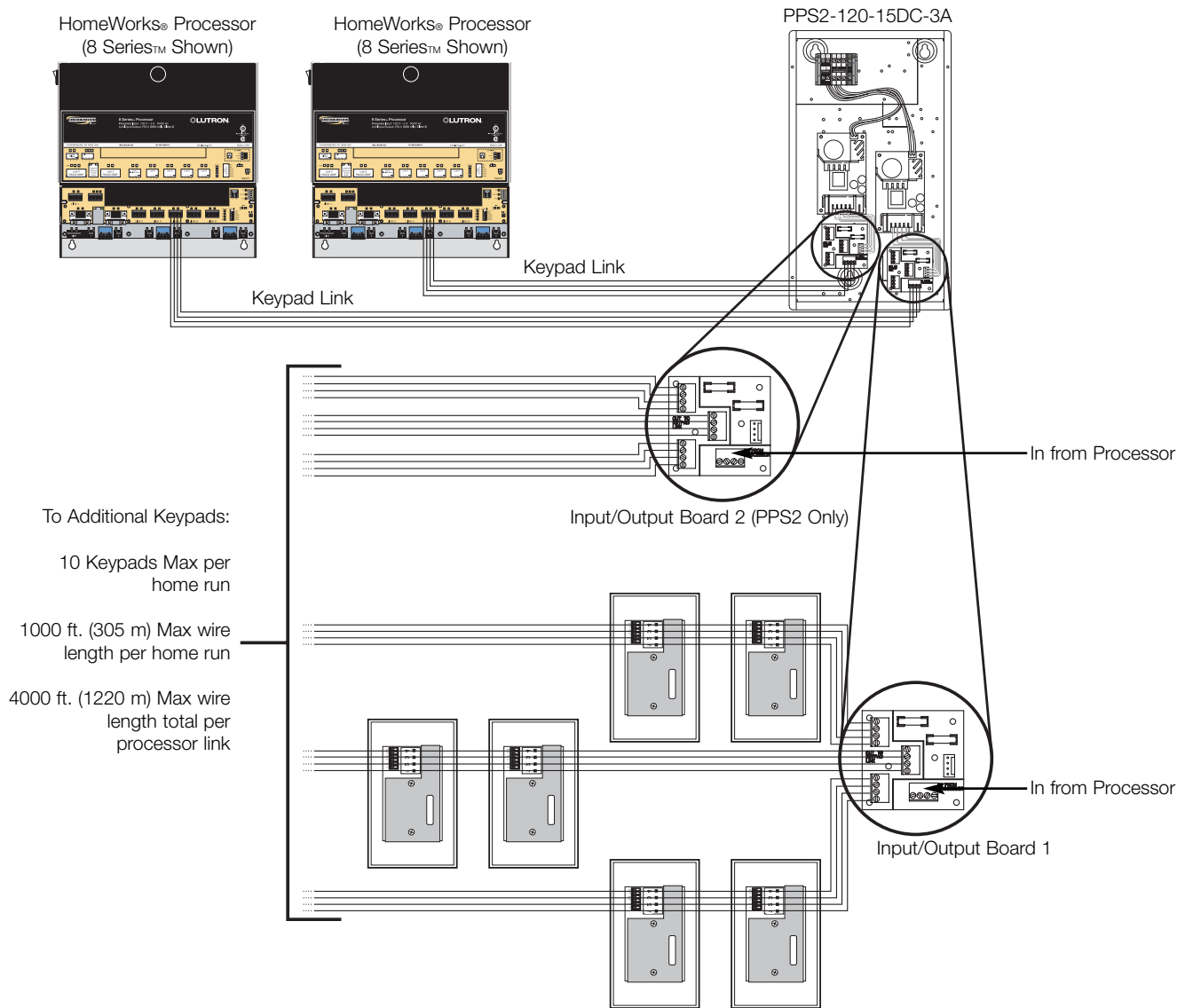


**Figure 3 - Input/Output Board**



- Turn on power.** Restore supply breaker to the ON position.

**Figure 4 - Wiring Diagram** (PPS2-120-15DC-3A shown)



**Figure 5 - LED Capacities**

Device	Maximum LED Capacity
8 Series Processor	350
4 Series Processor	150
PPS1-120-15DC-3A	500
PPS2-120-15DC-3A	1000

**Technical and Sales Assistance**

If you need assistance, call the toll-free **Lutron Technical Support Center**. Please provide exact model number when calling.

+1.800.523.9466 (U.S.A., Canada and the Caribbean)

Other countries call:

Tel: +1.610.282.3800

Fax: +1.610.282.3090

Visit our Web site at [www.lutron.com](http://www.lutron.com)

**LIMITED WARRANTY**

(Valid in the U.S.A., Canada, Puerto Rico, and the Caribbean)

Lutron will, at its option, repair or replace any unit that is defective in materials or manufacture within two years after purchase. For warranty service, return unit to place of purchase or mail to Lutron at 7200 Suter Rd., Coopersburg, PA 18036-1299, postage pre-paid. Telephone the Lutron Technical Support Center toll free at 800-523-9466. After the two year period, a pro-rated warranty applies to this product until eight years after the purchase. For more information regarding this warranty contact your Lutron representative.

**THIS WARRANTY IS IN LIEU OF ALL OTHER EXPRESS WARRANTIES, AND THE IMPLIED WARRANTY OF MERCHANTABILITY IS LIMITED TO TWO YEARS FROM PURCHASE. THIS WARRANTY DOES NOT COVER THE COST OF INSTALLATION, REMOVAL OR REINSTALLATION, OR DAMAGE RESULTING FROM MISUSE, ABUSE, OR IMPROPER OR INCORRECT REPAIR, OR DAMAGE FROM IMPROPER WIRING OR INSTALLATION. THIS WARRANTY DOES NOT COVER INOPERABILITY RESULTING FROM INTERFERENCE, INCORRECT INSTALLATION, OR ENVIRONMENTAL FACTORS. THIS WARRANTY DOES NOT COVER INCIDENTAL OR CONSEQUENTIAL DAMAGES. LUTRON'S LIABILITY ON ANY CLAIM FOR DAMAGES ARISING OUT OF OR IN CONNECTION WITH THE MANUFACTURE, SALE, INSTALLATION, DELIVERY, OR USE OF THE UNIT SHALL NEVER EXCEED THE PURCHASE PRICE OF THE UNIT.**

This warranty gives you specific legal rights, and you may also have other rights which vary from state to state. Some states do not allow limitations on how long an implied warranty lasts, so the above limitation may not apply to you. Some states do not allow the exclusion or limitation of incidental or consequential damages, so the above limitation or exclusion may not apply to you. U.S. and foreign patents pending. Lutron, HomeWorks, and the sunburst logo are registered trademarks of Lutron Electronics Co., Inc. © 2006 Lutron Electronics Co., Inc.