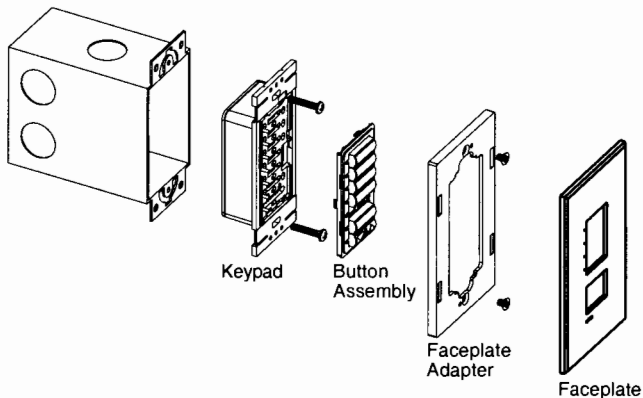


### Mounting Diagram



### Important Notes - Please Read Before Installation

1. Ensure all controls are correctly wired and mounted before installing faceplates.
2. Ensure yokes of controls are free from debris (e.g. plaster, spackling compound) before installing faceplate adapter and faceplate.

### Cleaning Instructions

To clean, wipe with a clean damp cloth. **DO NOT** use any chemical cleaning solutions.

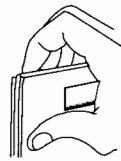
### Installation

1. Remove the currently installed faceplate, adapter, and button assembly. (See Figure 1):
  - a. Snap off the faceplate.
  - b. Remove 2 screws from the faceplate adapter and remove adapter (if required).
  - c. Remove button assembly from keypad by gently prying it from the top.

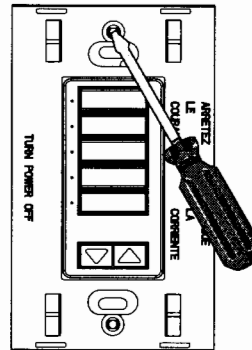
Removing the faceplate adapter is required for insert (decorator style opening) models and if the new faceplate kit is a different color than the one being removed.

2. Snap on the button assembly by lining up the two tabs on the bottom of the button assembly with the two slots in the keypad just above the lower keypad mounting screw. Using your thumbs, press in the bottom, and then snap in the top of the button assembly.
3. Attach faceplate adapter to controls with screws provided.
4. Attach the faceplate to the faceplate adapter by pressing at the top and bottom of the faceplate until it snaps into place.

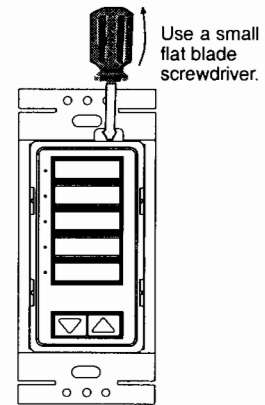
Figure 1- Remove Faceplate and Button Assembly



A - Remove faceplate.



B - Remove adapter (if applicable).



C - Remove button assembly.

### Technical and Sales Assistance

If you need assistance, call the toll-free **Lutron Technical Support Center**. Please provide exact model number when calling.

(800) 523-9466 (U.S.A., Canada and the Caribbean)

Other countries call:

Tel: (610) 282-3800

Fax: (610) 282-3090

Visit our Web site at [www.lutron.com](http://www.lutron.com)

### LIMITED WARRANTY

Lutron will, at its option, repair or replace any unit that is defective in materials or manufacture within two years after purchase. For warranty service, return unit to place of purchase or mail to Lutron at 7200 Suter Rd., Coopersburg, PA 18036-1299, postage pre-paid. Telephone the Lutron Technical Support Center toll free at 800-523-9466. After the two year period, a pro-rated warranty applies to this product until eight years after the purchase. For more information regarding this warranty contact your Lutron representative.

**THIS WARRANTY IS IN LIEU OF ALL OTHER EXPRESS WARRANTIES, AND THE IMPLIED WARRANTY OF MERCHANTABILITY IS LIMITED TO TWO YEARS FROM PURCHASE. THIS WARRANTY DOES NOT COVER THE COST OF INSTALLATION, REMOVAL OR REINSTALLATION, OR DAMAGE RESULTING FROM MISUSE, ABUSE, OR IMPROPER OR INCORRECT REPAIR, OR DAMAGE FROM IMPROPER WIRING OR INSTALLATION. THIS WARRANTY DOES NOT COVER INCIDENTAL OR CONSEQUENTIAL DAMAGES. LUTRON'S LIABILITY ON ANY CLAIM FOR DAMAGES ARISING OUT OF OR IN CONNECTION WITH THE MANUFACTURE, SALE, INSTALLATION, DELIVERY, OR USE OF THE UNIT SHALL NEVER EXCEED THE PURCHASE PRICE OF THE UNIT.**

This warranty gives you specific legal rights, and you may also have other rights which vary from state to state. Some states do not allow limitations on how long an implied warranty lasts, so the above limitation may not apply to you. Some states do not allow the exclusion or limitation of incidental or consequential damages, so the above limitation or exclusion may not apply to you.

This product may be covered by one or more of the following U.S. patents: 4,835,343; 4,889,999; 5,170,068; 5,237,027; DES 422,567; DES 436,930 and corresponding foreign patents. U.S. and foreign patents pending. Lutron is a registered trademark and SeeTouch is a Trademark of Lutron Electronics Co., Inc.

© 2001 Lutron Electronics Co., Inc.