

Troubleshooting

| Symptom | Possible Cause |
|-------------------------------------|---|
| Repeater appears not to be working. | <ul style="list-style-type: none">• No power available to unit.• Faulty power supply.• Repeater not programmed. (Refer to the Setup Guide for programming instructions) |

FCC Information

NOTE: This equipment has been tested and found to comply with the limits for a Class B digital device, pursuant to part 15 of the FCC rules. These limits are designed to provide reasonable protection against harmful interference in a residential installation. This equipment generates, uses and can radiate radio frequency energy and, if not installed and used in accordance with the instructions, may cause harmful interference to radio or television reception, which can be determined by turning the equipment off and on, the user is encouraged to try to correct the interference by one or more of the following measures:

- Reorient or relocate the receiving antenna.
- Increase the separation between the equipment and receiver.
- Connect the equipment into an outlet on a circuit different from that to which the receiver is connected.
- Consult the dealer or an experienced radio/TV technician for help.

Caution: Changes or modifications not expressly approved by Lutron Electronics Co. could void the user's authority to operate this equipment.

Technical Assistance

If you have questions concerning the installation or operation of this product, call the **Lutron Technical Support Center**. Please provide exact model number when calling.

(800) 523-9466 (U.S.A., Canada, and the Caribbean)

Other countries call (610) 282-3800

Fax (610) 282-3090

Visit our web site at www.lutron.com

Limited Warranty

Lutron will, at its option, repair or replace any unit that is defective in materials or manufacture within one year after purchase. For warranty service, return unit to place of purchase or mail to Lutron at 7200 Suter Rd., Coopersburg, PA 18036-1299, postage pre-paid.

THIS WARRANTY IS IN LIEU OF ALL OTHER EXPRESS WARRANTIES, AND THE IMPLIED WARRANTY OF MERCHANTABILITY IS LIMITED TO ONE YEAR FROM PURCHASE. THIS WARRANTY DOES NOT COVER THE COST OF INSTALLATION, REMOVAL OR REINSTALLATION, OR DAMAGE RESULTING FROM MISUSE, ABUSE, OR IMPROPER OR INCORRECT REPAIR, OR DAMAGE FROM IMPROPER WIRING OR INSTALLATION. THIS WARRANTY DOES NOT COVER INCIDENTAL OR CONSEQUENTIAL DAMAGES. LUTRON'S LIABILITY ON ANY CLAIM FOR DAMAGES ARISING OUT OF OR IN CONNECTION WITH THE MANUFACTURE, SALE, INSTALLATION, DELIVERY, OR USE OF THE UNIT SHALL NEVER EXCEED THE PURCHASE PRICE OF THE UNIT.

This warranty gives you specific legal rights, and you may also have other rights which vary from state to state. Some states do not allow limitations on how long an implied warranty lasts, so the above limitation may not apply to you. Some states do not allow the exclusion or limitation of incidental or consequential damages, so the above limitation or exclusion may not apply to you.

This product may be covered under one or more of the following U.S. patents: 4,835,343; 4,954,768; 5,248,919; 5,399,940; 5,637,930; 5,736,965; 5,798,581; 5,838,226; 5,848,054; 5,905,442; 5,982,103; DES 353,798; DES 378,814; DES 389,461; DES 389,805; DES 395,037; DES 404,013; DES 422,969; DES 428,855; DES 436,579; DES 439,220 and corresponding foreign patents. U.S. and foreign patents pending. Lutron and RadioRA are registered trademarks of Lutron Electronics Co., Inc. © 2001 Lutron Electronics Co., Inc.

Lutron Electronics Co., Inc.
7200 Suter Road
Coopersburg, PA 18036-1299, U.S.A.
Made and printed in the U.S.A. 8/01 P/N 044-014 Rev. A

English

P/N 044-014

RadioRA®

Wireless Home Lighting Control

Installation Instructions for RF Signal Repeaters

Please Leave for Occupant

Read all instructions completely before installation.

Important Notes

1. Install in accordance with all national and local electrical codes.
2. Operate in ambient temperatures between 0°C (32°F) and 40°C (104°F). **Note:** Attics can exceed 40°C (104°F).
3. **Clean control with a soft damp cloth only.** Do not use any chemical cleaners.
4. All RadioRA® controls must be located within 30 feet of an RF Signal Repeater.
5. No more than 4 RF Signal Repeaters (1 Main, 3 Auxiliary) can be used in a system.
6. Typical straight line range from one Repeater to another Repeater is 60 feet (18m). (See diagram on page 2.)
7. Use only the AC adapter provided by Lutron with your unit. Using an AC adapter not rated at the following specifications could damage the control and possibly overheat the AC adapter.
 - Input: AC 120/127V 50/60Hz
 - Output: AC 9V/500mA Class 2
8. The range and performance of the RadioRA® System is highly dependent on a variety of complex factors such as:
 - Distance between system components
 - Geometry of the home
 - Construction of walls separating system components
 - Electrical equipment located near system components
9. Do not mix RadioRA® "A" and "B" frequency products within the same system. Products with different frequencies **are not** compatible.

If you are unsure about how to layout your system, or have any other questions, call the **Lutron Technical Support Center** at (800) 523-9466.

RF Signal Repeater

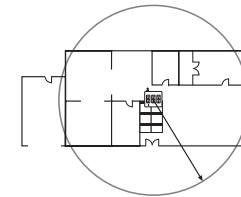
Model Number:
RA-REP, RB-REP

120/127VAC, 50/60Hz

Installation Contents

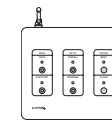
System Layout

Where to place an RF Signal Repeater.



RF Signal Repeater Installation

Installing an RF Signal Repeater.



Operation

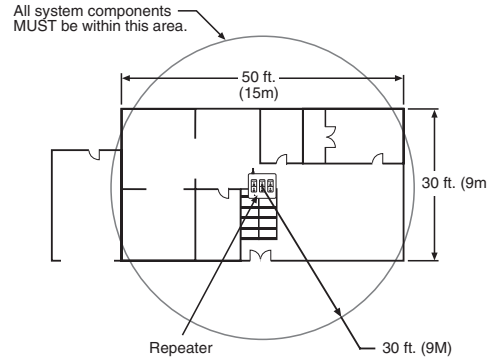
To activate and program an RF Signal Repeater, refer to the enclosed RadioRA® Setup Guide.

LUTRON®

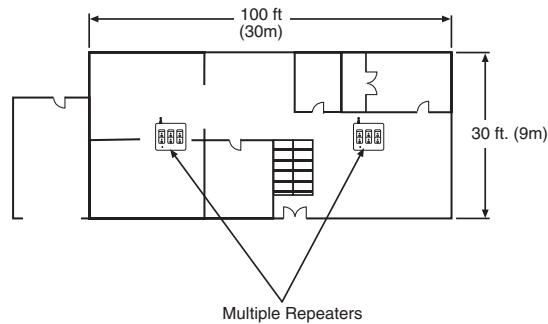
LUTRON®

System Layout

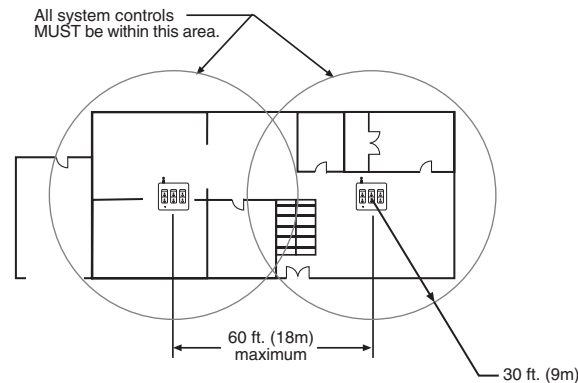
Each RF Signal Repeater will cover approximately a 2000 square foot area.



This diagram shows a 3000 square foot home requiring two RF Signal Repeaters.



All system controls must be within a 30 foot (9m) distance, in any direction, of an RF Signal Repeater. Each repeater must be within 60 feet (18m) of another Repeater.



Note: The Repeater's range is 30 feet in all directions.

RF Signal Repeater Installation

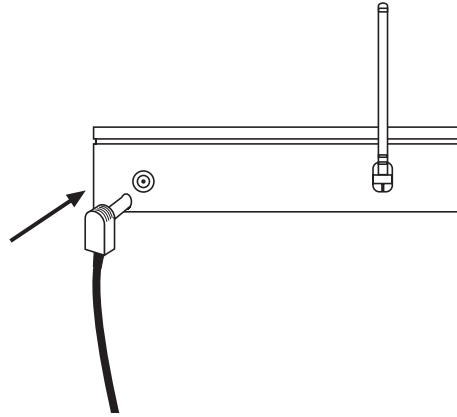


✓ *Check off Steps as completed.*

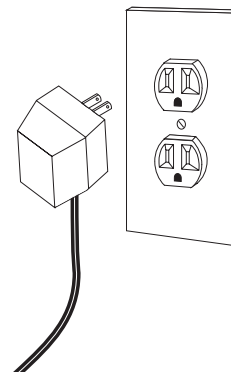
Step 1 Find a suitable location for the RF Signal Repeater.

Choose a discreet location that is centrally located to all system controls. The Repeater must be located within 30 feet (9m) of all system controls or within 60 feet (18m) of a previously installed Repeater.

Step 2 Attach the power supply cord to the Repeater (jack located on rear of Repeater).



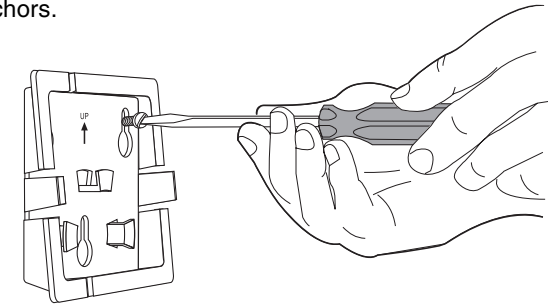
Step 3 Plug the other end of the power supply into a 120/127VAC, 50/60Hz wall receptacle.



Optional Wall Mounting

The Repeater can be wall mounted using the supplied wall bracket.

Attach wall bracket to wall using the supplied screws and wall anchors.



Wrap excess power supply cord around the cord holder. Align Repeater and snap onto wall bracket.

