

Troubleshooting

Symptom	Possible Cause
RF Signal Repeater appears not to be working.	<ul style="list-style-type: none">• No power available to unit.• Faulty power supply.• RF Signal Repeater not programmed. (Refer to the Setup Guide for programming instructions)

Technical Assistance

If you have questions concerning the installation or operation of this product, call **Lutron's European Headquarters**. Please provide exact model number when calling.

Lutron EA LTD
FREEPHONE: 0800 282107 (U.K.)
Tel: +44 (0) 207 702 0657
Fax: +44 (0) 207 480 6899
Visit our web site at www.lutron.com

Limited Warranty

Lutron EA Ltd. ("Lutron EA") warrants each unit to be free from defects in material and workmanship and to perform under normal use and service. To the extent permitted by law, Lutron EA and Lutron Electronics Co., Inc. ("Lutron") make no warranties or representations as to the units except as set forth herein. This warranty shall run for a period of one year from the date of purchase and Lutron's obligations under this warranty are limited to remedying any defect, replacing any defective part or replacement (at Lutron EA's sole option) and shall be effective only if the defective unit is shipped to Lutron EA postage prepaid within 12 months after purchase of the unit. Repair or replacement of the unit does not affect the expiry date of the warranty. This warranty does not cover damage or deficiencies due to abuse, misuse, inadequate wiring or insulation or use or installation other than in accordance with instructions accompanying the unit. To the extent permitted by law, neither Lutron EA nor Lutron shall be liable for any other loss or damage including consequential or special loss or damages, loss of profits, loss of income, or loss of contracts arising out of or relating to the supply of the unit or the use of the unit and the purchaser assumes and will hold harmless Lutron EA and Lutron in respect of all such loss or damage. Nothing in this warranty shall have the effect of limiting or excluding Lutron EA's or Lutron's liability for fraud or for death or personal injury resulting from its own negligence, or any other liability, if and to the extent that the same may not be limited or excluded as a matter of law. This warranty does not affect the statutory rights of consumer purchasers of this product.

Although every attempt is made to ensure that catalogue information is accurate and up-to-date, please check with Lutron EA before specifying or purchasing this equipment to confirm availability, exact specifications, and suitability for your application.

This product may be covered under one or more of the following U.S. patents: 5,838,226; 5,848,054; 5,905,442; 5,982,103; DES 389,461; DES 389,805; DES 404,013; France design 451398; 451425, Germany design M9607838.3, and United Kingdom designs 2058358; 2063408; 2063409; and 2063410. U.S. and other patents pending. Lutron and GRAFIK Eye are registered trademarks and GRAFIK Integrale is a trademark of Lutron Electronics Co., Inc. © 2002 Lutron Electronics Co., Inc.

Lutron Electronics Co., Inc.
7200 Suter Road
Coopersburg, PA 18036-1299, U.S.A.
Made and printed in the U.S.A. 6/02 P/N 044-027 Rev. A

English

P/N 044-027

Radio Frequency Control for GRAFIK Eye® and GRAFIK Integrale™

Installation Instructions for RF Signal Repeaters

Please Leave for Occupant

Read all instructions completely before installation.

Important Notes

1. Install in accordance with all national and local electrical codes.
2. Operate in ambient temperatures between 0° C (32° F) and 40° C (104° F).
3. **Clean control with a soft damp cloth only.** Do not use any chemical cleaners.
4. All RF controls must be located within 10 metres (30 feet) of an RF Signal Repeater.
5. No more than 4 RF Signal Repeaters (1 Main, 3 Auxiliary) can be used in a system.
6. Typical straight line range from one Repeater to another Repeater is 20 metres (60 feet). (See diagram on next page.)
7. Use only the AC adapter provided by Lutron with your unit. Using an AC adapter not rated at the following specifications could damage the control and possibly overheat the AC adapter.
 - Input: AC 220-240V 50/60Hz
 - Output: AC 9V/300mA (min) Class 2
8. The range and performance of the RF System is highly dependent on a variety of complex factors such as:
 - Distance between system components
 - Geometry of the home
 - Construction of walls separating system components
 - Electrical equipment located near system components

If you are unsure about how to layout your system, or have any other questions, call the **Lutron Technical Support Center** at 0800 282107 (U.K.).

RF Signal Repeater

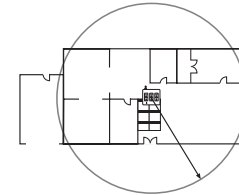
Model Number:
RB-REP

220-240V, 50/60Hz

Installation Contents

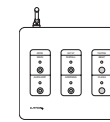
System Layout

Where to place an RF Signal Repeater.



RF Signal Repeater Installation

Installing an RF Signal Repeater.



Operation

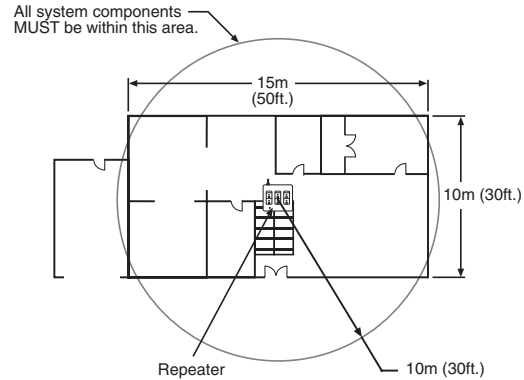
To activate and program an RF Signal Repeater, refer to the enclosed RF Setup Guide.

LUTRON®

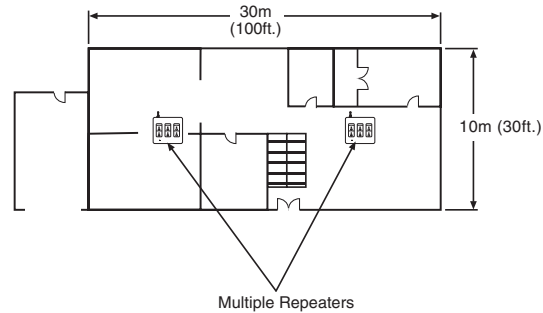
LUTRON®

System Layout

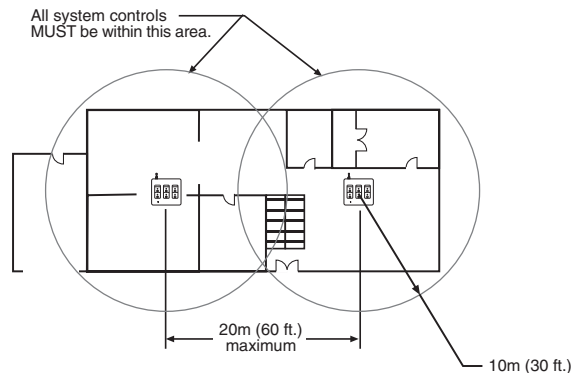
Each RF Signal Repeater will cover approximately a 185 sq. m (2000 sq. ft.) area.



This diagram shows a 278 sq. m (3000 sq. ft.) home requiring two RF Signal Repeaters.



All system controls must be within a distance of 10 m (30 ft.), in any direction, of an RF Signal Repeater. Each RF Signal Repeater must be within 20 m (60 ft.) of another Repeater.



Note: The RF Signal Repeater's range is 10 m (30 ft.) in all directions.

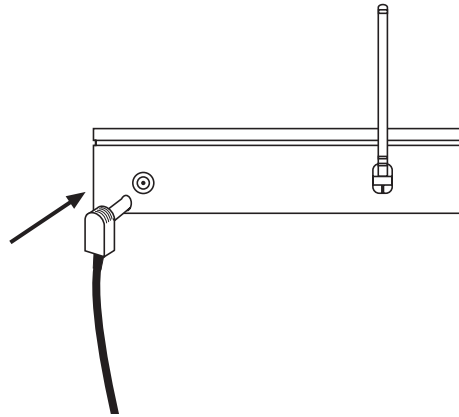
RF Signal Repeater Installation



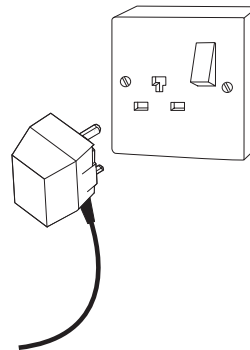
✓ *Check off Steps as completed.*

Step 1 Find a suitable location for the RF Signal Repeater. Choose a discreet location that is centrally located to all system controls. The Repeater must be located within 10 m (30 ft.) of all system controls or within 20 m (60 ft.) of a previously installed RF Signal Repeater.

Step 2 Attach the power supply cord to the RF Signal Repeater (jack located on rear of RF Signal Repeater).



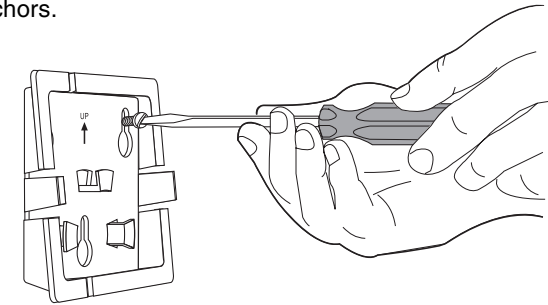
Step 3 Plug the other end of the power supply into a 220-240VAC, 50/60Hz wall receptacle.



Optional Wall Mounting

The RF Signal Repeater can be wall mounted using the supplied wall bracket.

Attach wall bracket to wall using the supplied screws and wall anchors.



Wrap excess power supply cord around the cord holder. Align the RF Signal Repeater and snap onto wall bracket.

