

Package Contents:

(3) 600 W Dimmers

(1) Multi-Function Entry Master Control

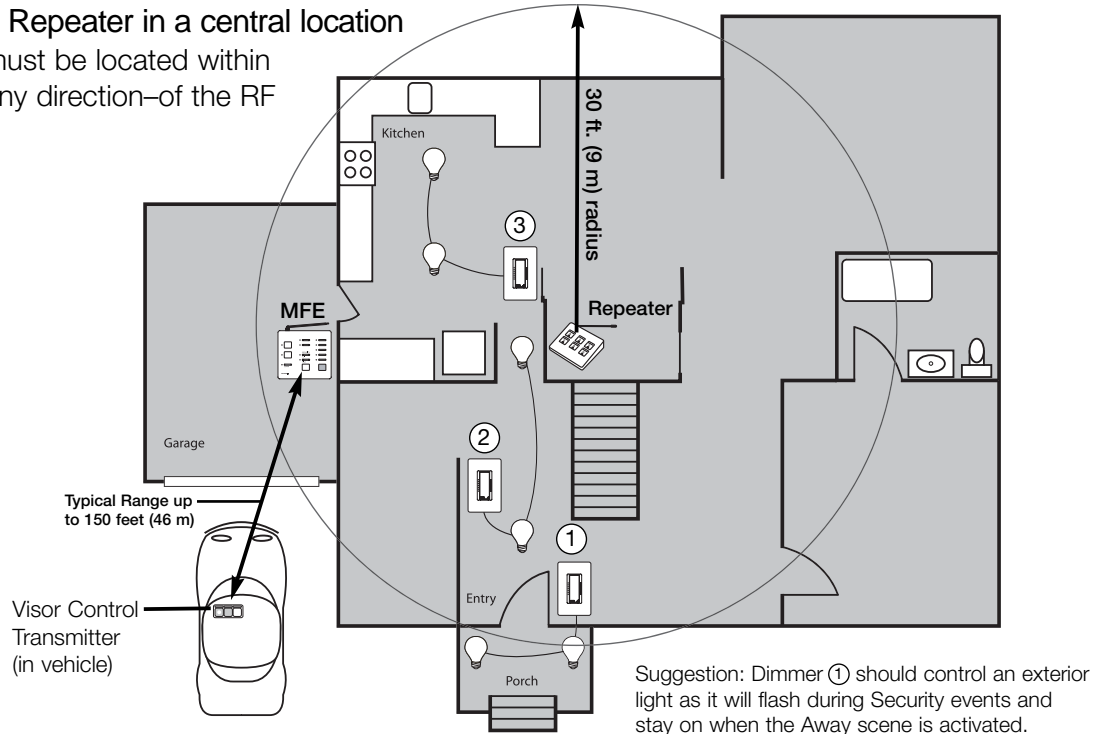
(1) Car Visor Control Transmitter

(1) RF Signal Repeater

Component Layout

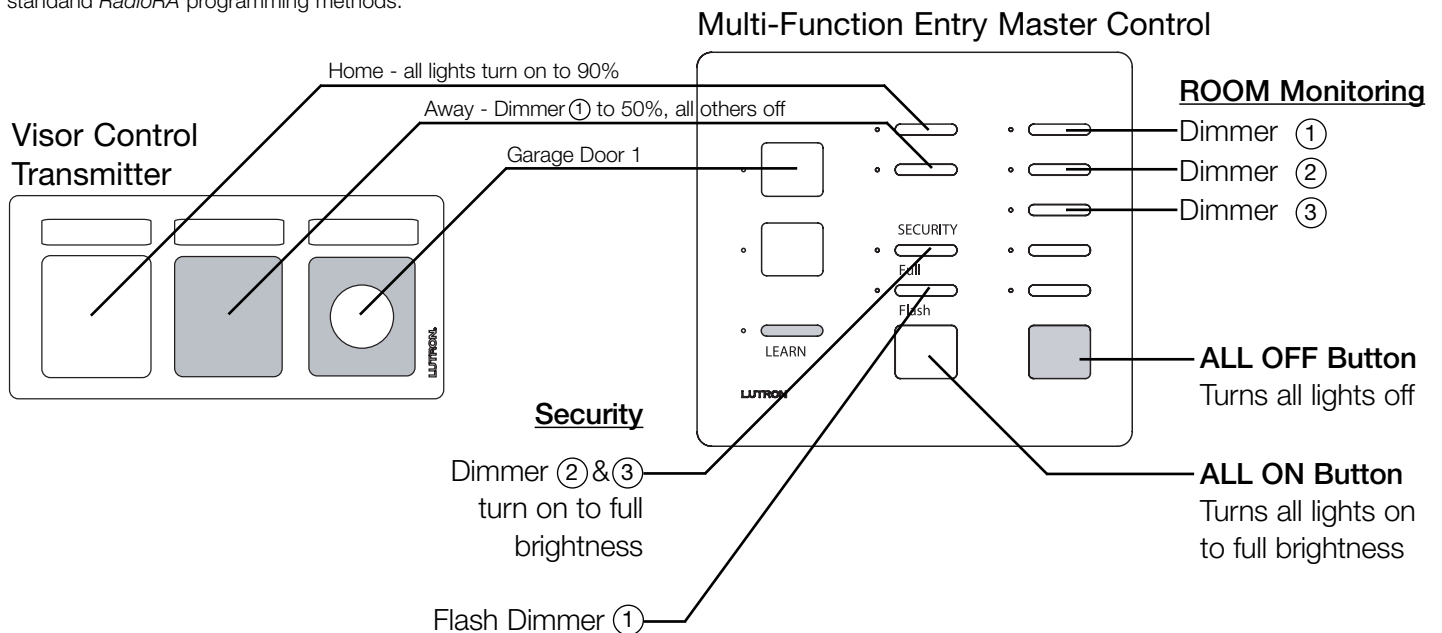
Place RF Signal Repeater in a central location

All components must be located within 30 feet (9 m)—in any direction—of the RF Signal Repeater

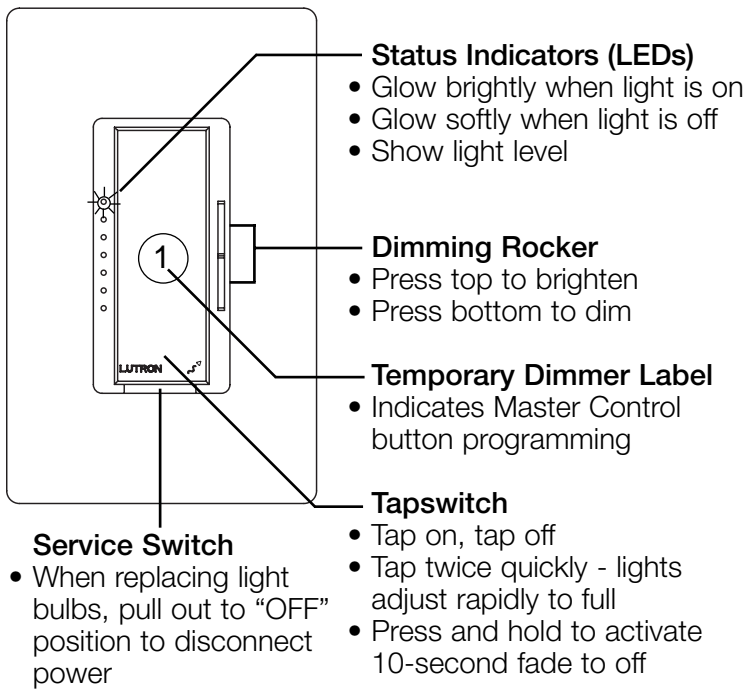


Initial Programming

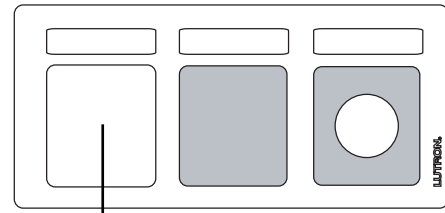
This is a quick start system, which is pre-configured to fit typical situations. If a device is added, removed, or returned to factory default settings, additional programming will be required using standard *RadioRA* programming methods.



Dimmer Operation



Visor Control Transmitter Operation



Buttons

Remotely activate buttons on the Multi-Function Entry Master Control

Multi-Function Entry Master Control (MFE) Operation

Contact Closure

Output Buttons

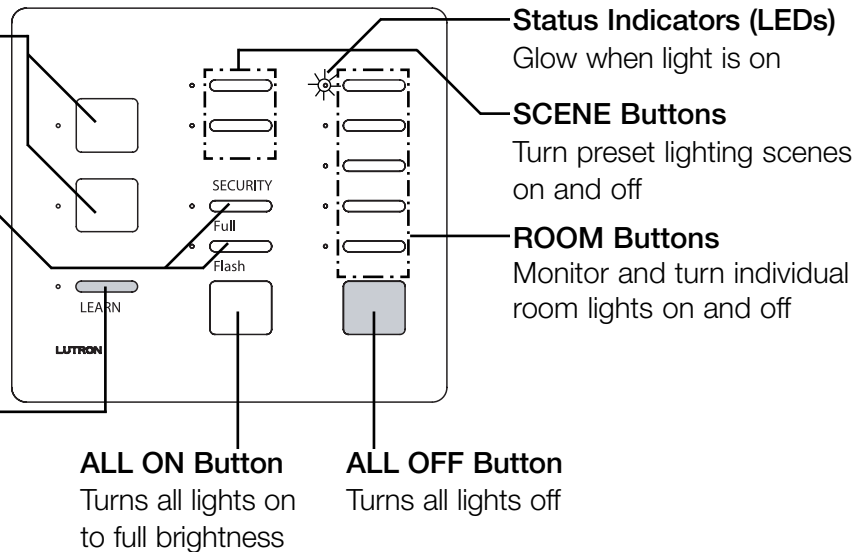
Controls garage doors

Security Buttons

When held, or when a Security System contact closure input is detected, turns assigned lights on to Full Bright (Full) or Flashes assigned lights (Flash)

Learn Button

Used to assign MFE buttons to Visor Control Transmitters



FCC Information

NOTE: This equipment has been tested and found to comply with the limits for a Class B digital device, pursuant to part 15 of the FCC rules. These limits are designed to provide reasonable protection against harmful interference in a residential installation. This equipment generates, uses and can radiate radio frequency energy and, if not installed and used in accordance with the instructions, may cause harmful interference to radio or television reception, which can be determined by turning the equipment off and on. The user is encouraged to try to correct the interference by one or more of the following measures:

- Reorient or relocate the receiving antenna.
- Increase the separation between the equipment and receiver.
- Connect the equipment into an outlet on a circuit different from that to which the receiver is connected.
- Consult the dealer or an experienced radio/TV technician for help.

Caution: Changes or modifications not expressly approved by Lutron Electronics Co. could void the user's authority to operate this equipment. Operation is subject to the following two conditions: (1) This device may not cause harmful interference, and (2) this device must accept any interference received, including interference that may cause undesired operation.

Worldwide Technical and Sales Assistance

If you have questions concerning the installation or operation of this product, call the **Lutron Technical Support Center**. Please provide exact model number when calling.

+1.800.523.9466 (U.S.A., Canada, and the Caribbean)

Other countries call +1.610.282.3800

Fax +1.610.282.3090

Visit us on the Web at www.lutron.com/radiora

This product may be covered under one or more of the following U.S. patents: 4,835,343; 5,248,919; 5,399,940; 5,637,930; 5,736,965; 5,798,581; 5,838,226; 5,848,054; 5,905,442; 5,982,103; 6,687,487; DES353,798; DES389,805; DES404,013; and corresponding foreign patents. U.S. and foreign patents pending. Lutron, RadioRA and the Sunburst logo are registered trademarks of Lutron Electronics Co., Inc. © 2006 Lutron Electronics Co., Inc.