

RadioRA-SR

Integrated Scene Controller (ISC)

SR-NWK-E
15 V $\overline{\text{---}}$ 900 mA

Installation Instructions

Please Read Before Installing

For Installation Guides, System Setup Guide and Setup tools visit <http://www.lutron.com/radiorasr>.

Features

- Integrates a *RadioRA-SR* lighting and window treatment system with other equipment including:
 - Third-party remote controls and touch screens
 - Third-party Audio Visual (AV) equipment
 - Personal Computer (PC)
- The ISC can control up to 9 *RadioRA-SR* devices to:
 - Select scenes
 - Turn lights on or off
 - Open or close window treatments
- Provides four (4) internal keypads
- Provides status feedback to AV equipment and allows control of lights/window treatments from a remote control or touch screen
- Control lights/window treatments by connecting the ISC through Ethernet or RS232 cables
- Can be used to retrieve levels of devices in a *RadioRA-SR* system

Environment

Ambient operating temperature: 32 °F to 104 °F (0 °C to 40 °C), 0% to 90% humidity, non-condensing. Indoor use only.

Codes

Install in accordance with all local and national electrical codes.

Cleaning

To clean, wipe with a clean damp cloth. DO NOT use any chemical cleaning solutions.

RF Device Placement

The ISC must be located within 30 ft (9 m) of all dimmers, switches, window treatments and keypads that are part of a *RadioRA-SR* system.

Installation

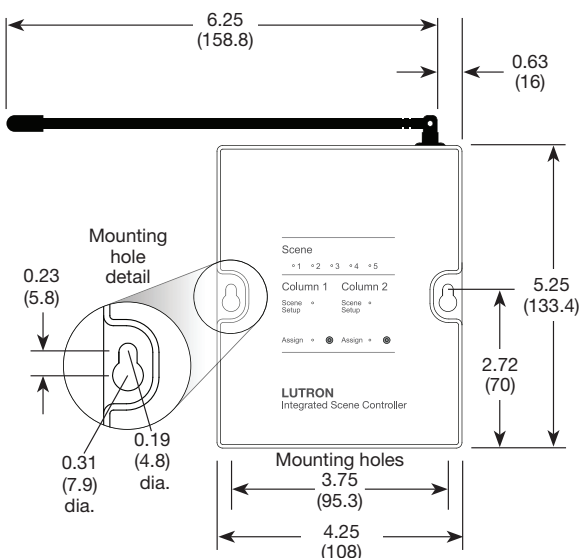
- Mount vertically on a wall, as shown in the **Mounting Diagram**, using two #6 (M3) screws (included) or lay horizontally on flat surface or AV rack. When mounting, allow 7 in (177.8 mm) clearance for the antenna and ensure convenient access to the Ethernet and RS232 Jacks. In order to achieve proper RF performance, do not mount unit in a metal enclosure.
- Connect cables as shown in **AV Connectors and Signal/Link Information**.
- Attach the power supply cord to the power jack on the ISC.
- Insert the power supply plug into a 120 V \sim 60 Hz wall receptacle.

Technical Assistance:

U.S.A./Canada: 1.800.523.9466
Mexico: +1.888.235.2910
Other Countries: +1.610.282.3800
24 hours a day, 7 days a week.

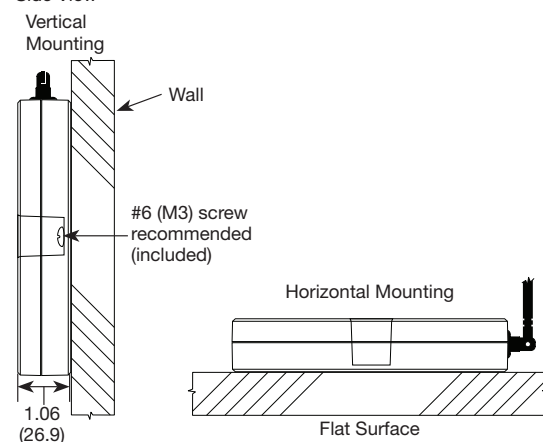
Dimensions

Measurements are in inches (mm).

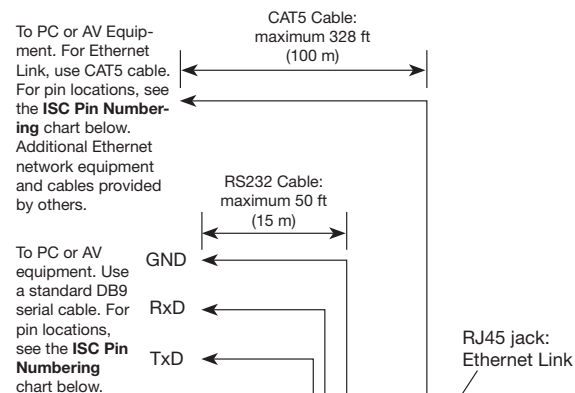


Mounting Diagram

Side View



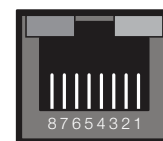
AV Connectors and Signal/Link Information



To outlet (with transformer) (NEC \circledR Class 2/IEC PELV)
Input: 120 V \sim 60 Hz 19 W
Output: 15 V $\overline{\text{---}}$ 900 mA
(Model: T120-15DC-9-BL)



ISC Pin Numbering



Ethernet	Pin #
T+Ve	1
T-Ve	2
R+Ve	3
R-Ve	6

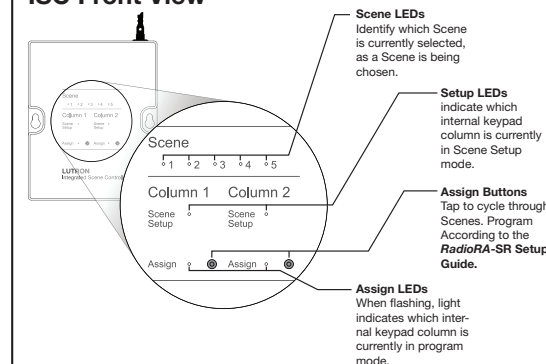


RS232	Pin #
TxD	2
RxD	3
GND	5

Troubleshooting Guide

Symptom	Probable Cause and Action
Dimmers, keypads, and window treatments not responding to ISC.	<p>Power Not Present</p> <ul style="list-style-type: none"> Ensure that the power supply cord is plugged into a wall outlet and the power jack on the ISC. Circuit Breaker is OFF or tripped. Reset or turn on circuit breaker.
	<p>Not programmed as part of a system.</p> <ul style="list-style-type: none"> Program ISC and all other <i>RadioRA-SR</i> devices according to the RadioRA-SR Setup Guide.
	<p>Network connections are incorrect.</p> <ul style="list-style-type: none"> Set up network connection according to the RadioRA-SR Setup Guide.

ISC Front View



Programming

Only one (1) ISC may be used per system. The ISC is programmed using the **RadioRA-SR Setup Guide**.

Returning the ISC to Factory Settings

- Turn off power to the ISC by unplugging the power supply cord.
- Press and hold the Assign button for either Column 1 or 2 before returning power to the ISC.
- Plug the power supply cord back in and continue to hold the Assign button until both Assign LEDs continuously flash red.
- Release the Assign button. Then press and release it again.
- The ISC will take several seconds to reset. All LEDs will flash red once; and the green Scene LEDs will turn on for 3 seconds. When the green LEDs turn off, reset is complete.

Notes

- Returning the ISC to factory settings will clear all programming from it and will prevent it from controlling any device that was previously assigned to it.
- After being returned to factory defaults, the ISC will need to be reprogrammed as part of a *RadioRA-SR* system.

Warranty: For Warranty information, please see the Warranty enclosed with the product, or visit www.lutron.com/resiinfo.