

**Sivoia QED™**  
Installation  
and Operating  
Instructions

**Drapery  
System**

# Sivoia QED™ | drapery system

## Installation Instructions

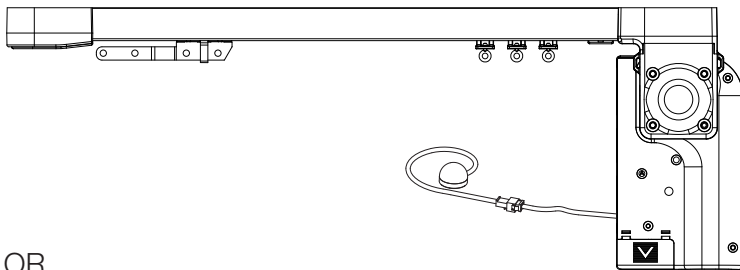
### Tools Required:

Tape Measure  
 Wire Cutter/Stripper  
 Pliers  
 #2 Phillips Screwdriver

1/8 inch Straight Blade Screwdriver  
 Level  
 Power Drill: Drill Bits, Screwdriver Attachments

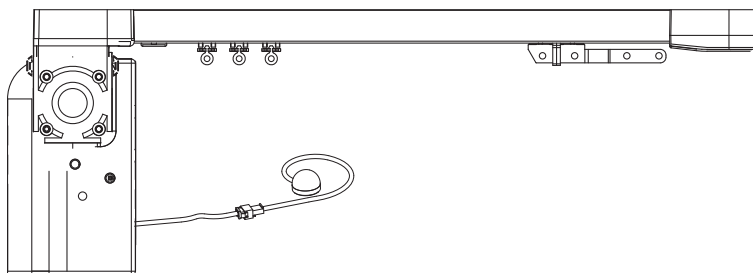
### Carton Contents:

One way Draw System — right draw shown



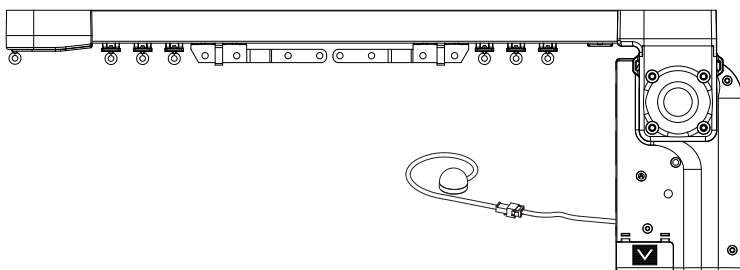
OR

One way Draw System — left draw shown

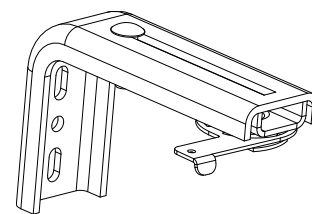


OR

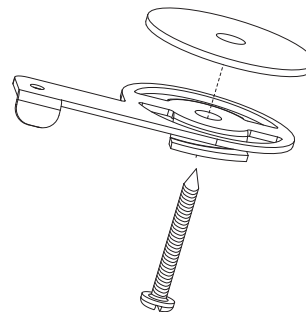
Split Draw System — right motor shown



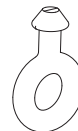
wall mount brackets with cam lock  
 (quantity depends on system width)



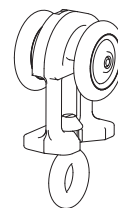
ceiling mount cam locks  
 (quantity depends on system width)



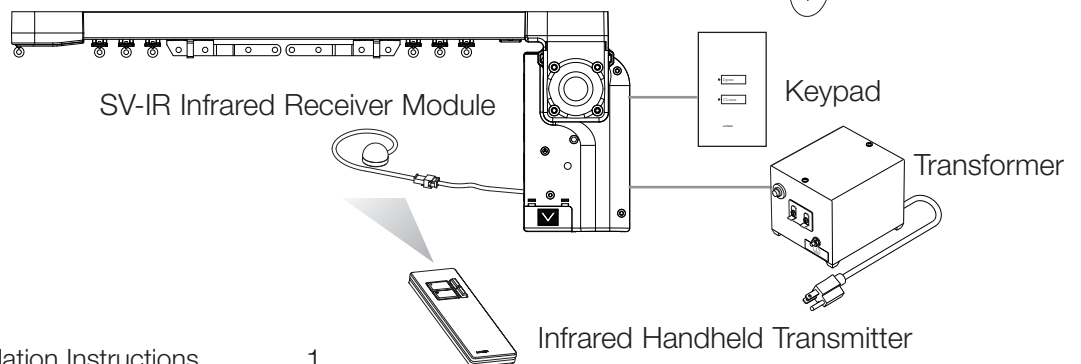
one Hook Eye  
 (split draw only)



auxiliary carriers  
 (quantity depends on system width)



Drapery System  
 (Keypad, Transformer,  
 SV-IR Infrared Receiver  
 Module, and Infrared  
 Handheld Transmitter  
 not included)



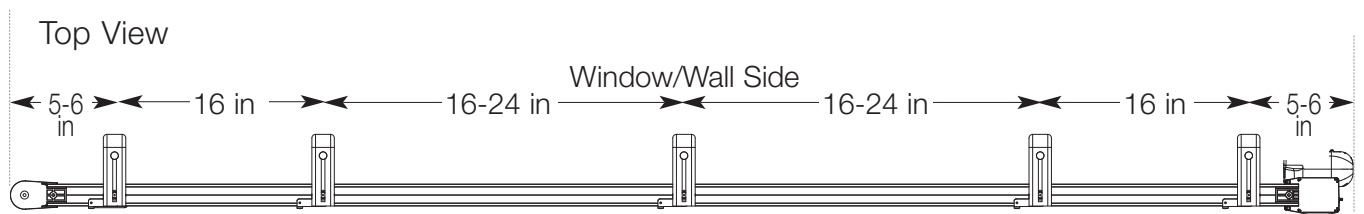
# 1 Wall Mounting the Drapery Track

## 1.1

Mount the brackets using the spacing illustrated below.

Mount the drapery track to the wall using the wall mount L brackets. Mount each end bracket at a maximum dimension of between five (5) and six (6) inches from each end of the track. Space the next bracket on both sides 16 in from the end brackets. Space the remaining brackets 16-24 in apart.

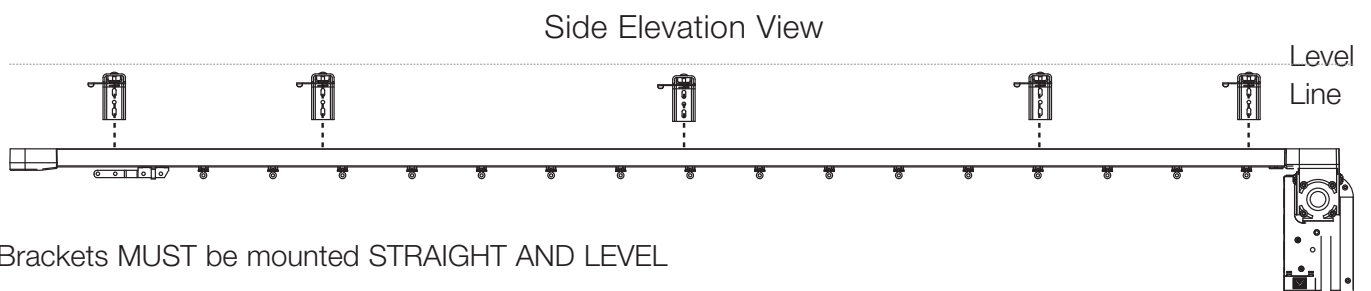
**Note:** All screws must be securely fastened to stud or structural member.



## 1.2

Install the track to the brackets using the cam locks.

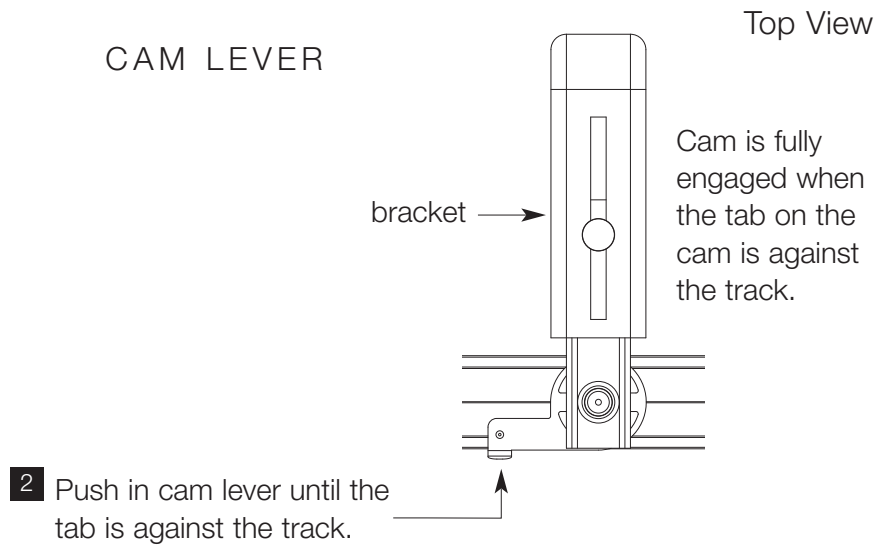
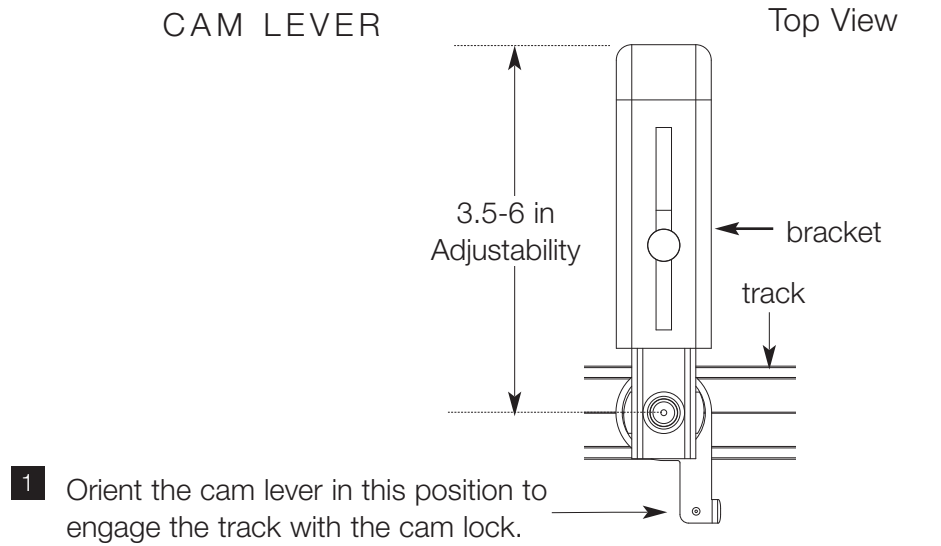
The drapery track must be straight and level to operate properly. When the wall brackets are securely mounted, install the track to the brackets using the cam locks. (SEE ILLUSTRATIONS BELOW FOR CAM LOCK OPERATION)



# 1 Ceiling Mounting the Drapery Track

## 1.3

Position cam lever to engage track



# 1 Ceiling Mounting the Drapery Track

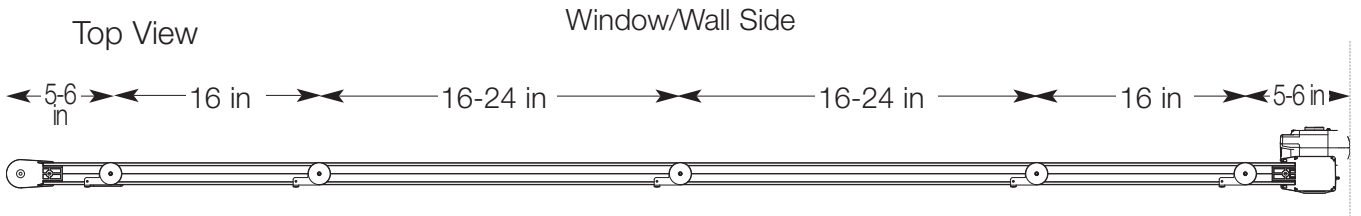
## 1.4

Mount the drapery track to the ceiling

### Track Mounting

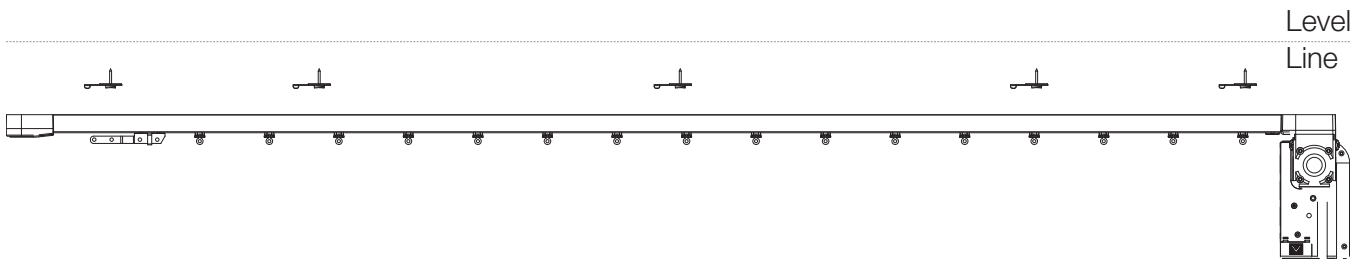
Mount the drapery track to the ceiling using ceiling mount cam lock brackets. Mount the cam locks using the spacing guidelines shown below. Mount each end cam lock at a maximum dimension of between five (5) and six (6) inches and minimum dimension of five (5) inches from each end of system. Space the next bracket on both sides 16 in from the end brackets. Space the remaining brackets 16-24 in apart.

**Note:** All screws must be securely fastened to stud or structural member.



The brackets should be mounted on a straight and level line. If the contour of the ceiling is not straight and level, use shims between the cam lock bracket and the ceiling to compensate for the irregularities.

### Side Elevation View

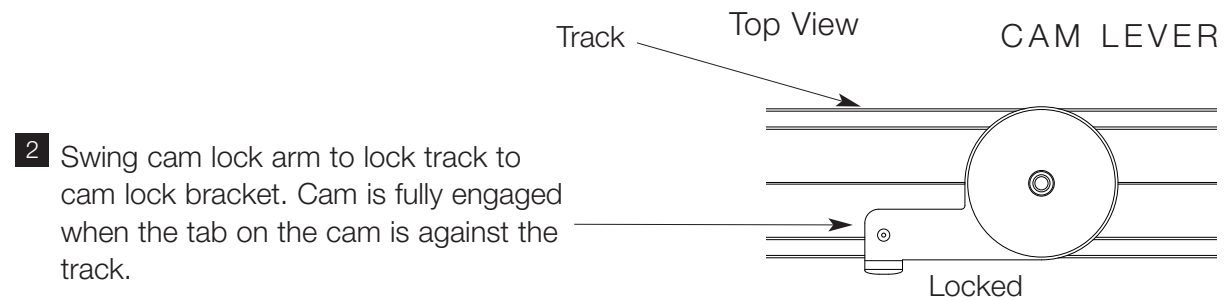
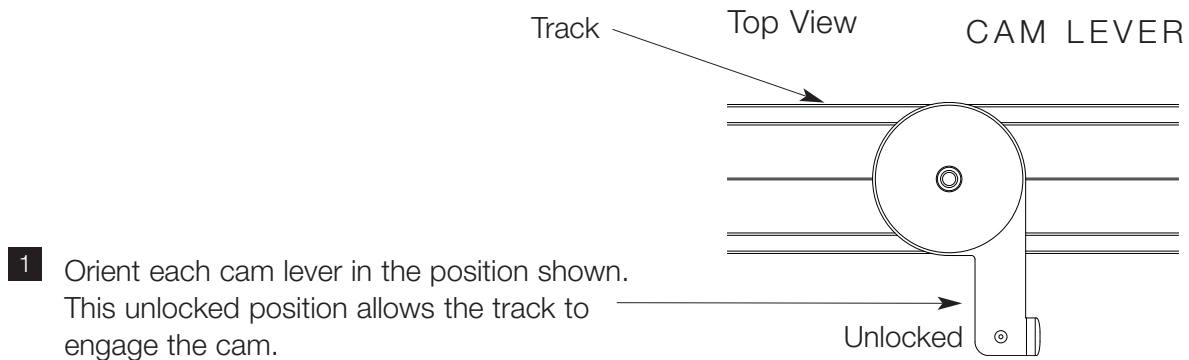


# 1 Ceiling Mounting the Drapery Track

## 1.5

Mount the track to the brackets

To mount the track to the brackets, position all the cam lock lever arms to the unlocked position (see unlocked diagram). Position the track up against the cam lock brackets and rotate the cam lock arm to the locked position.



# 2

## Carrier Installation – Left and Right Draw Systems

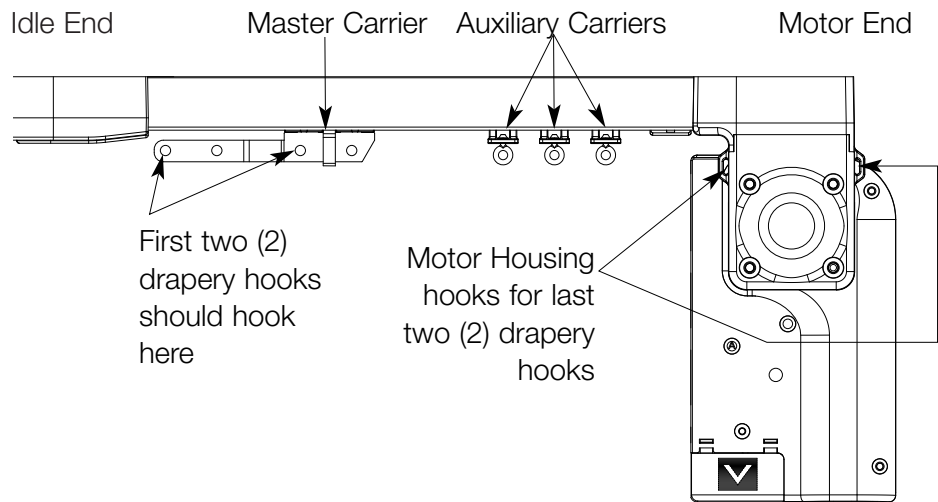
### 2.1

#### Loading the Carriers

The drapery carriers are installed at the factory, however, the required number of carriers must be verified. Draperies require one carrier per hook. The first two drapery hooks should hook on the master carrier for left, right and split draw systems (see respective diagrams on the next two pages). The number of carriers required is equal to the number of drapery hooks in fabric minus four (4).

#### Left and right single draw systems

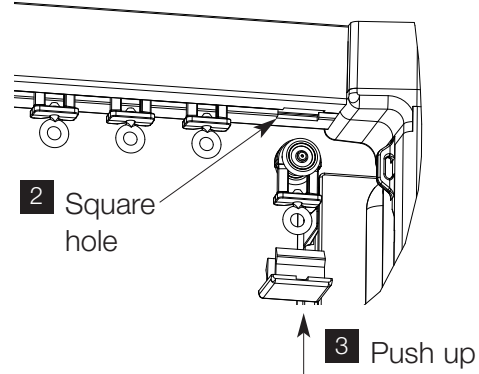
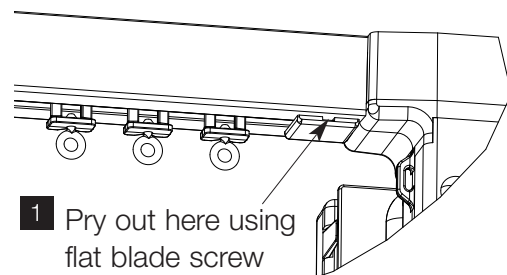
The number of carriers required is four less than the total number of hooks on the drapery. The first two drapery hooks should hook to the master carrier and the last two drapery hooks should hook to the motor housing.



#### TO ADD OR REMOVE CARRIERS:

##### Single Draw: Left or Right

- 1 Pry out square plug on the motor side of the track.
- 2 Insert or remove auxiliary carriers through the square hole in the track until the proper number of carriers are installed.
- 3 Replace plastic square plug by pushing it up into the square hole until it snaps into place.



# 2

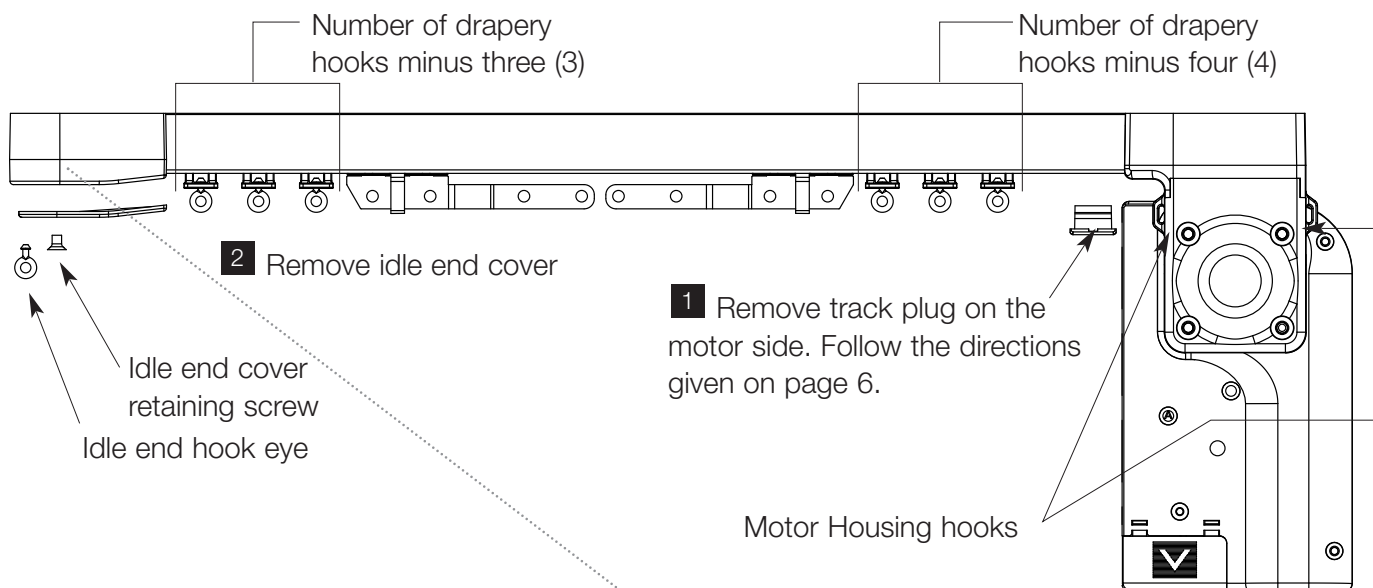
## Carrier Installation – Split Draw Systems

### 2.2

#### Split draw systems

The motor side of the drapery track requires four less carriers than the total number of hooks on the drapery track. The first two drapery hooks should hook to the master carrier and the last two drapery hooks should hook to the motor housing.

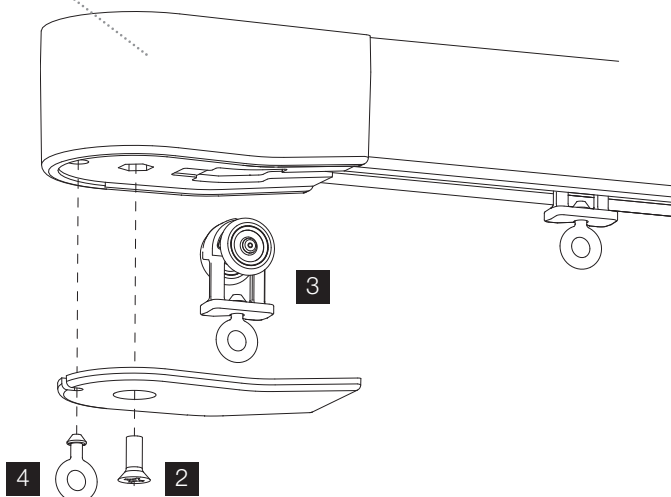
The number of carriers required is different for the idle side. The idle side of the drapery requires three less carriers than the total number of hooks on the drapery. The first two drapery hooks should hook to the master carrier, and the last drapery hook should hook onto the hook eye on the idle end cap. See diagram below.



#### TO ADD OR REMOVE CARRIERS:

##### Split Drive Systems

- 1 Follow the directions on page 6 for motor side plug removal, and installation of the auxiliary carriers.
- 2 Remove screw that retains the idle end cover. Remove idle and hook eye.
- 3 Insert or remove auxiliary carriers through the square hole in the idle end cap until the proper number of carriers are installed.
- 4 Install idle end hook eye and replace the idle end cover using the screw removed in step 2.





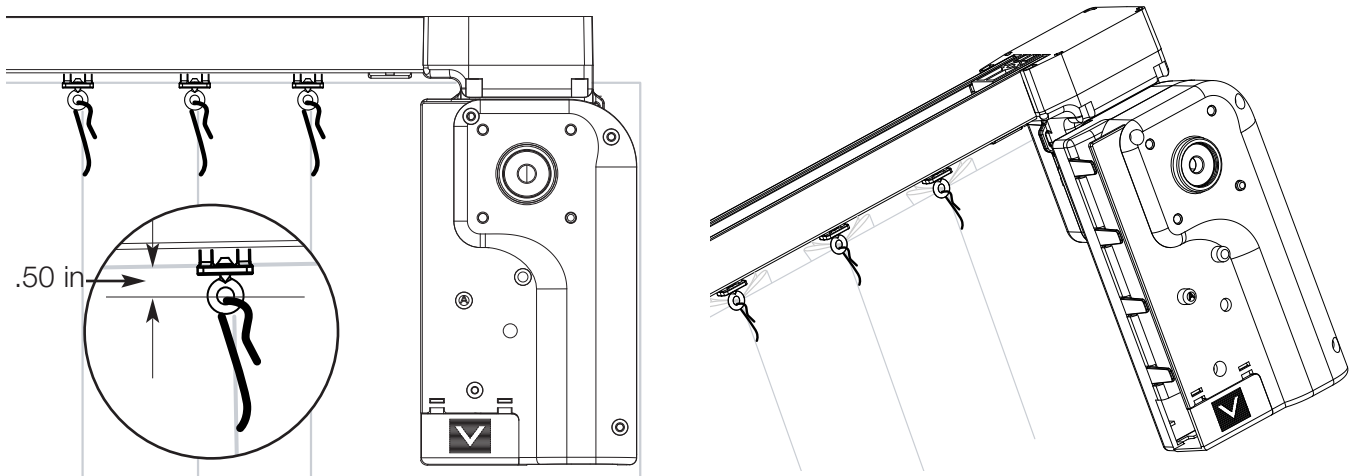
# 3 Hanging Drapery Fabric

## 3.1

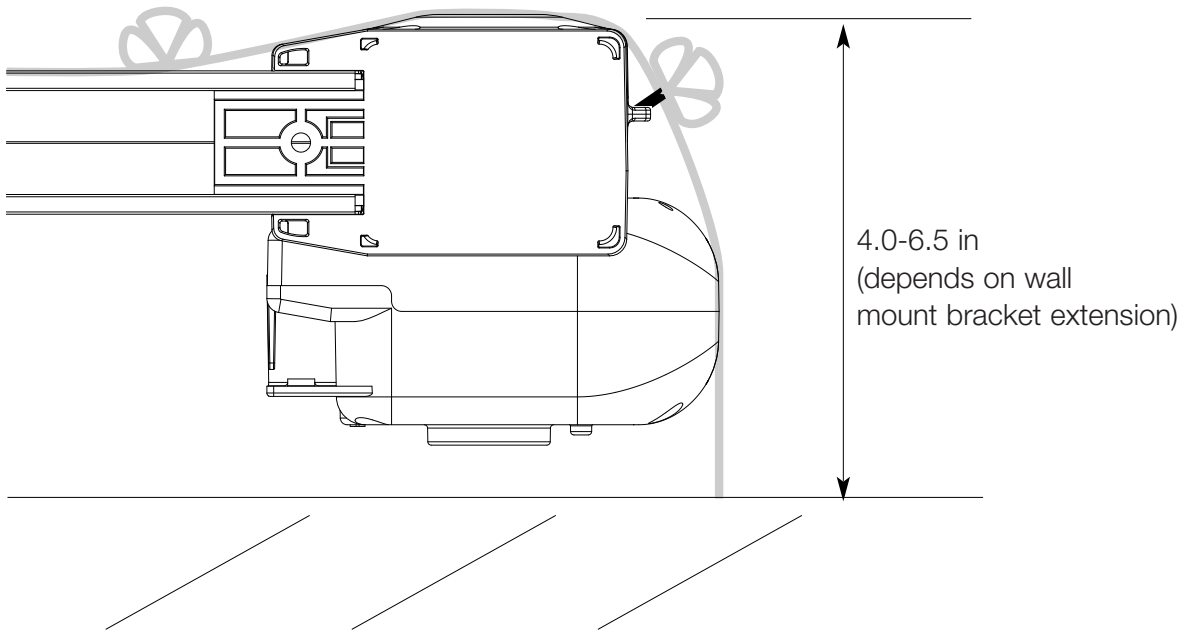
### Drapery hook setting

For the best system performance, a drapery hook setting of 1/2 in should be used.

This allows the system to operate with minimal noise.



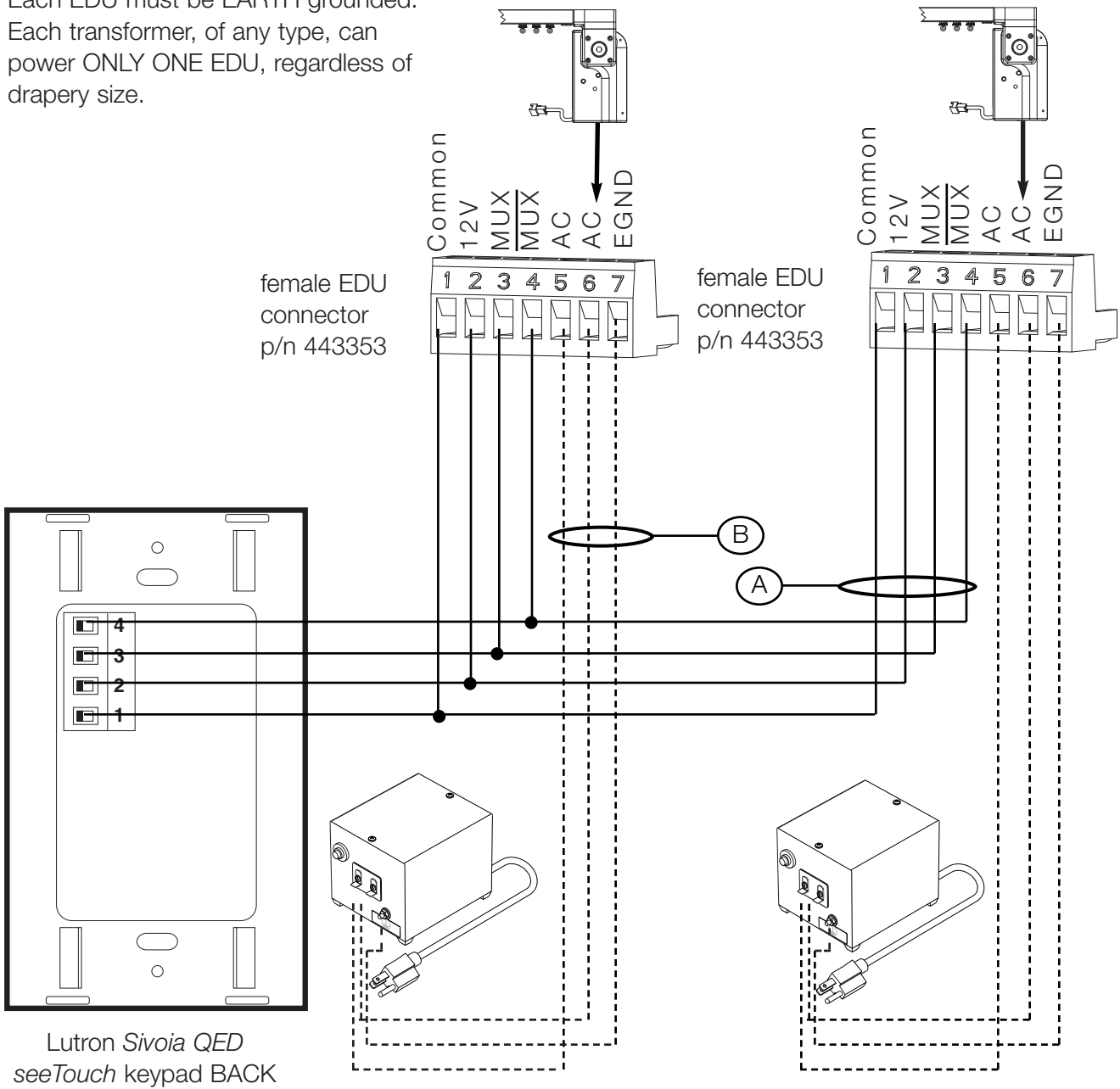
### DRAPERY FABRIC RETURN



# 4 System Wiring – Multiple EDUs

## 4.1

Wire each EDU to a Sivoia QEDTM plug-in transformer, junction-box-mount transformer, or a Sivoia QED power panel. Each EDU must be EARTH grounded. Each transformer, of any type, can power ONLY ONE EDU, regardless of drapery size.

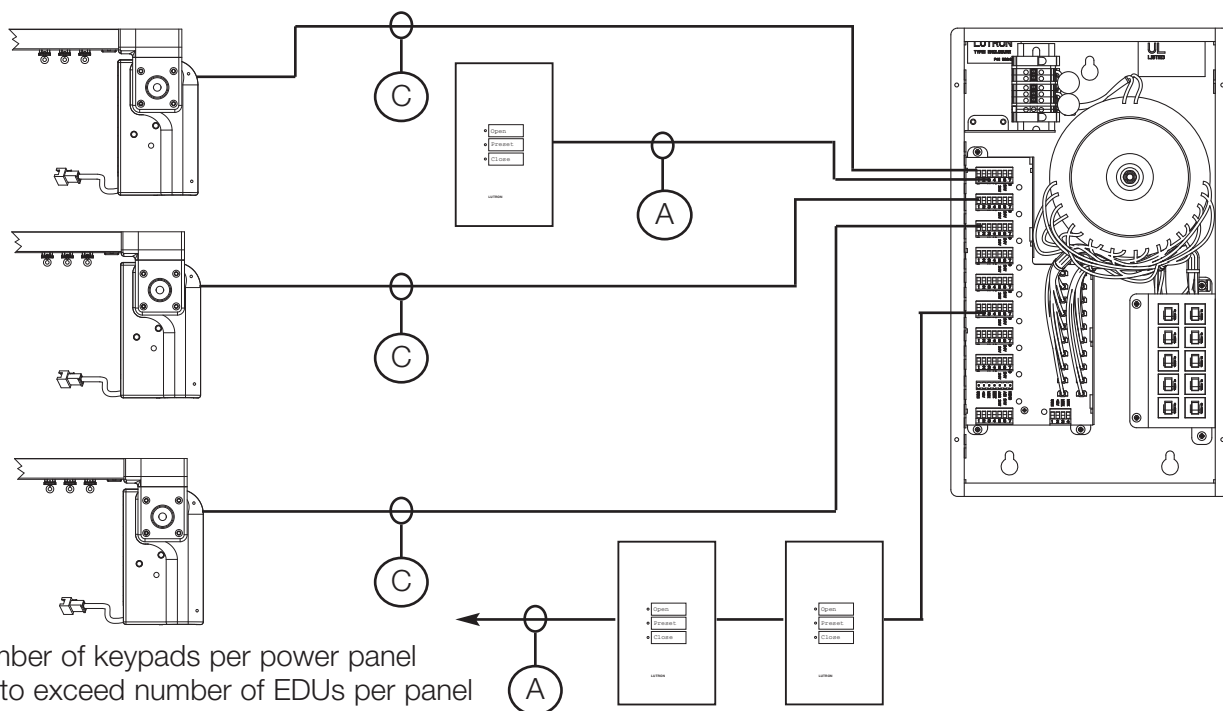


(A)	Communications Link	4 Conductors
(B)	Power Wires	3 Conductors

# 4

## System Wiring – Wiring Using Power Panels

### 4.2



¥Number of keypads per power panel not to exceed number of EDUs per panel  
 ¥Maximum of four keypads per home run wire to terminal block

#### SINGLE EDU

#### MAXIMUM WIRE LENGTH

(A) Communications Link  
 4 Conductor #18AWG  
 (twisted and shielded)  
 Maximum comm Link - 4000 feet

Keypad to Power Panel  
 1 keypad - 1000 feet  
 2 keypads - 500 feet  
 3 keypads - 300 feet  
 4 keypads - 200 feet

(B) Power Supply  
 3 Conductor #16-20AWG

EDU to Panel  
 #16AWG - 200 feet  
 #18AWG - 150 feet  
 #20AWG - 100 feet

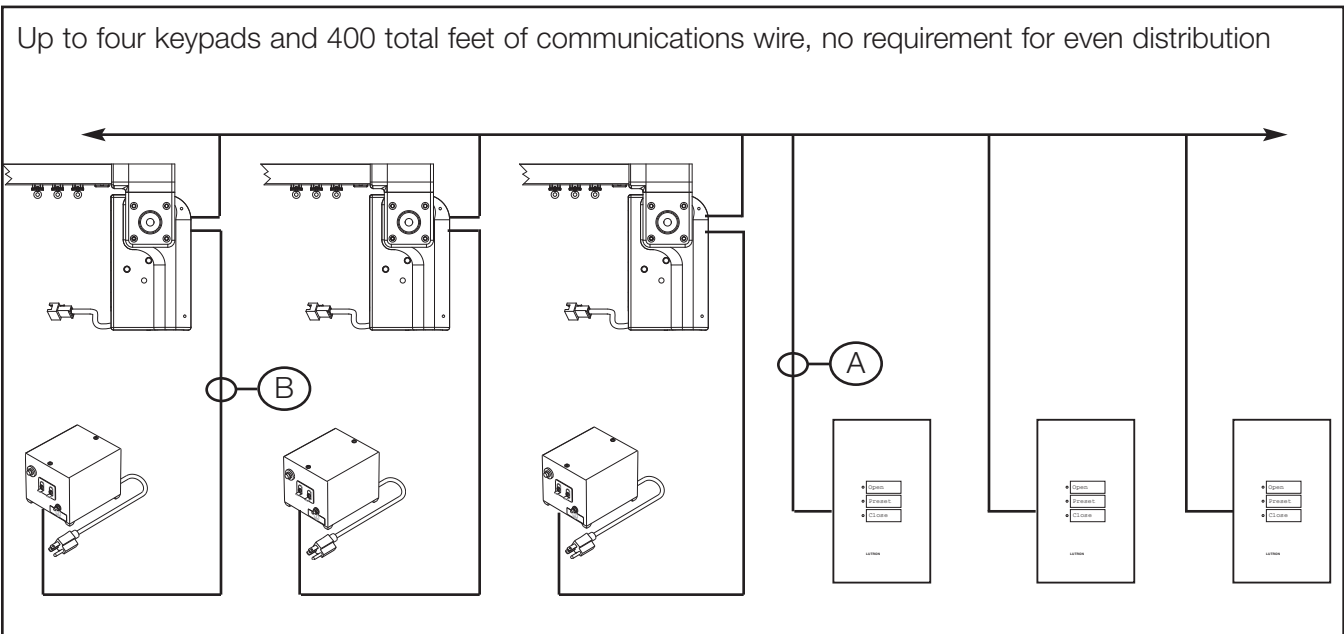
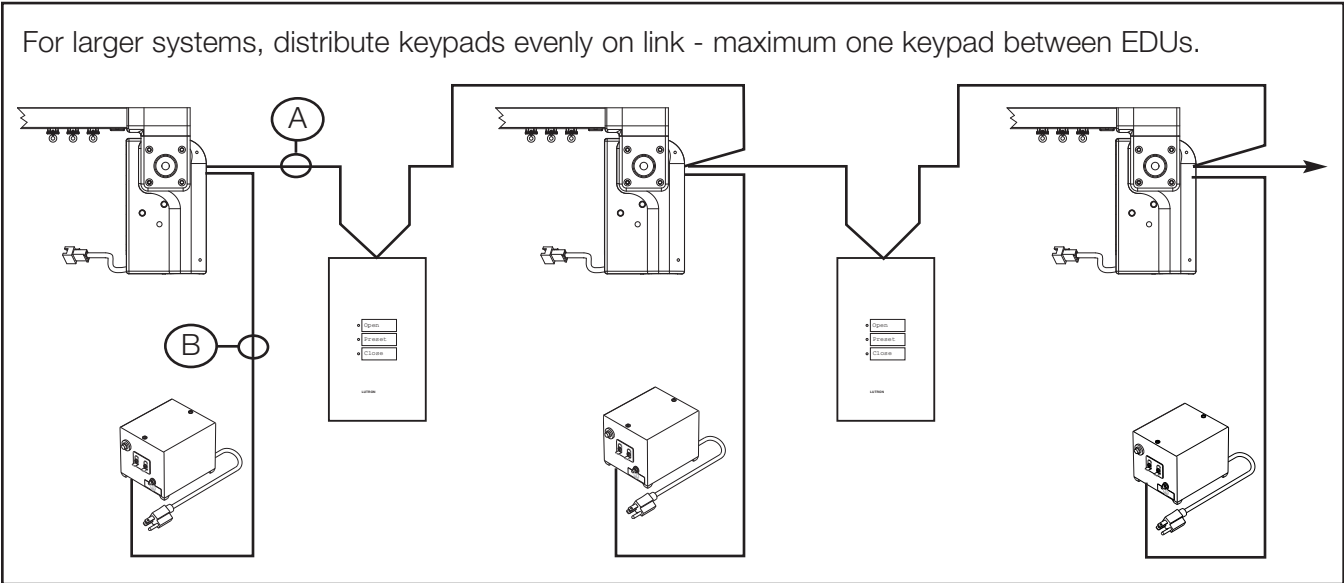
(C) SVQ-CBL-250  
 ((A) and (B) combined)  
 7 Conductor, being:  
 2- #16AWG Power Supply  
 (red, red/white)  
 1- #18AWG Earth Ground  
 (green/yellow)  
 4- #18AWG Comm Link (blue, yellow,  
 violet, gray, twisted and shielded)

EDU to Panel - 200 feet  
 1 keypad to Power Panel - 1000 feet  
 2 keypads to Power Panel - 500 feet  
 3 keypads to Power Panel - 300 feet  
 4 keypads to Power Panel - 200 feet

**Note:** If Sivoia QED cable is used for keypad wiring, there would be extra conductors left unused.

# 4 System Wiring – Wiring Using Individual Transformers

## 4.3



(A) Communications Link  
4 Conductor #18AWG  
(twisted and shielded)

Maximum Wire Length  
EDU to EDU - 500 feet  
Maximum Total Communication link - 4000 feet

(B) Power Supply  
3 Conductor #16-20AWG

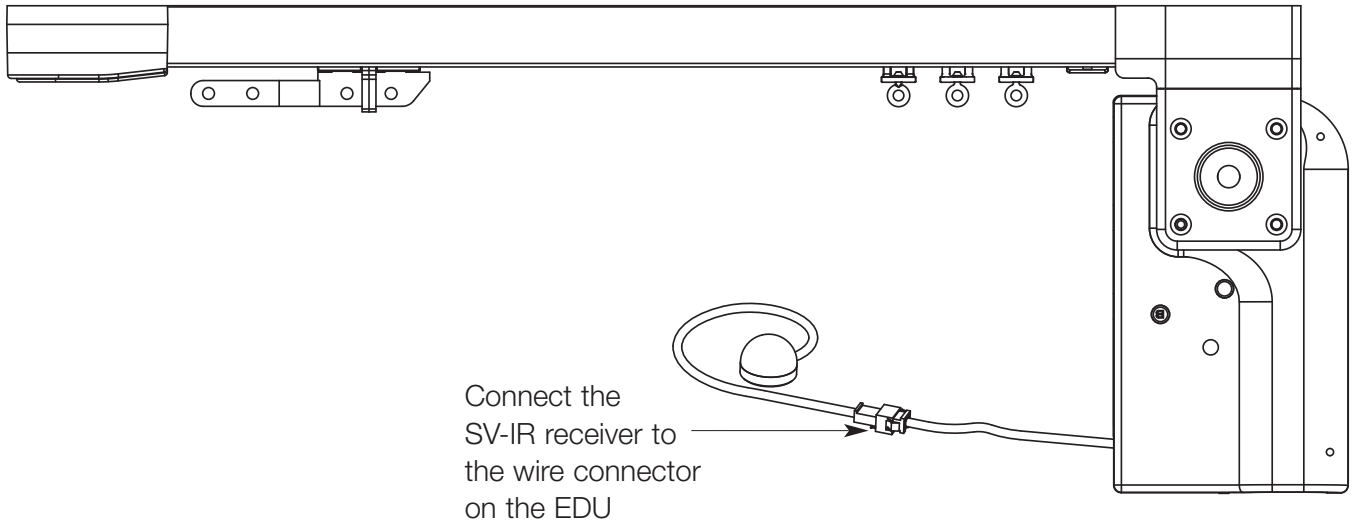
Maximum Wire Length  
Transformer to EDU  
#16AWG - 200 feet  
#18AWG - 150 feet  
#20AWG - 100 feet

# 5

## Infrared Control (If Applicable)

### 5.1

#### Mounting the IR eye



Mount the IR eye to the wall, the ceiling or even a non-moving edge of the drapery fabric using a clip. Make sure the location of the eye is not obstructed by an object.

The SV-IR allows the EDU to be controlled directly with a *Sivoia* Infrared Handheld Transmitter (SVQ-OCIT, SVQ-3PIT, SVQ-4GD-OCIT, or SVQ-4S2G-IT). The SV-IR receiver connects to the EDU via a 20 in cable. This provides the SV-IR receiver ample mounting range to offset any infrared signal restriction caused by a protective/decorative covering for the drapery system. To extend the IR receiver mounting range, add up to five (5) SV-IR-EXT-10 extension cables (10 ft each).

¥ The SV-IR receiver must be located to allow line-of-sight reception of infrared signals.

¥ The IR transmitter has a range of 30 ft for the SV-IR to receive its signal.

¥ The SV-IR must **NOT** be located near lighting fixtures or in direct sunlight.

¥ The SV-IR must be located within 50 ft of the EDU it is connected to.  
Add up to five SV-IR-EXT-10 extension cables (10 ft each).

# 6

## Setting Limits from an EDU

### 6.1

#### Setting Limits From the EDU

The Open and Close Limits can be set from the EDU, a CCI, or a keypad or IR transmitter with at least: Open, Close, Raise and Lower buttons.


The advantage of setting limits remotely from a keypad, IR transmitter, or CCI, is these components are generally easier to access. Setting limits from the EDU may be simpler, depending upon the installation.

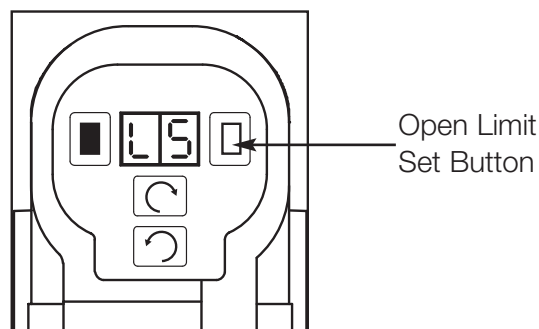
The Open and Close Limits determine how far an EDU will travel. When the open button is pressed on a keypad, IR Transmitter, or CCI, the EDU will move to the Open Limit. When the close button is pressed on a keypad, IR transmitter, or CCI, the EDU will move to the Close limit. The EDU will not move outside the Open or the Close limits.

**NOTE:** Setting the Open limit beyond the Close limit will cause the drapery to move in the closed direction when raise is pressed and move in the open direction when lower is pressed.

#### Setting the Open Limit from the EDU

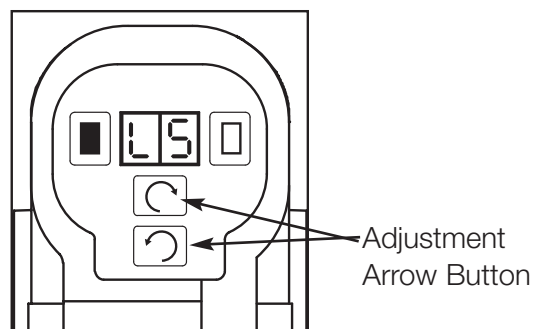
##### STEP 1

Press the Open Limit Set or  button, the LED will display LS, indicating the EDU is in Set Open Limit mode




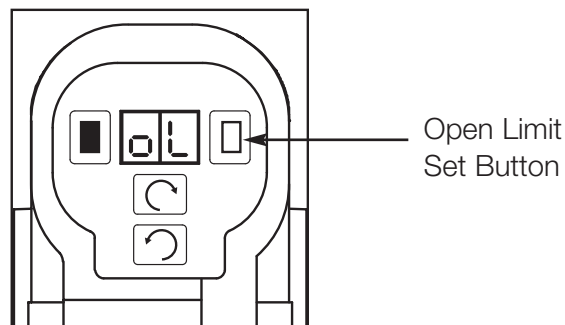
##### STEP 2

Adjust the position of the EDU to the desired open limit using the adjustment arrow buttons.



##### STEP 3

Press and hold the Open Limit Set or  button for 5 seconds, the LED will flash oL for 2 seconds then go dark, indicating the current position has been stored as the open limit.




# 6

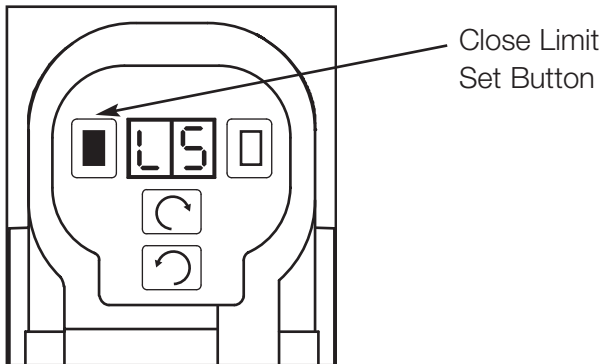
## Setting Limits from an EDU (continued)

### 6.2

Setting the Close Limit from the EDU

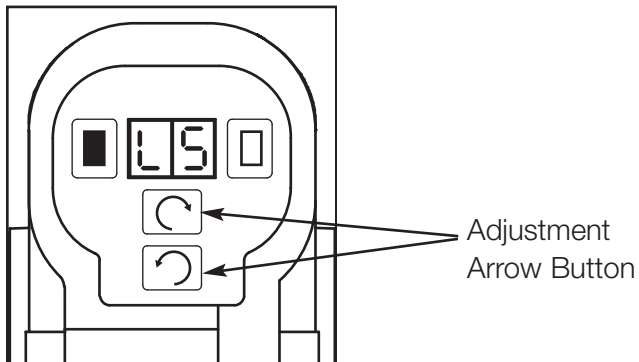
#### STEP 1

Press the Close Limit Set or  button, the LED will display LS, indicating the EDU is in Set Close Limit mode




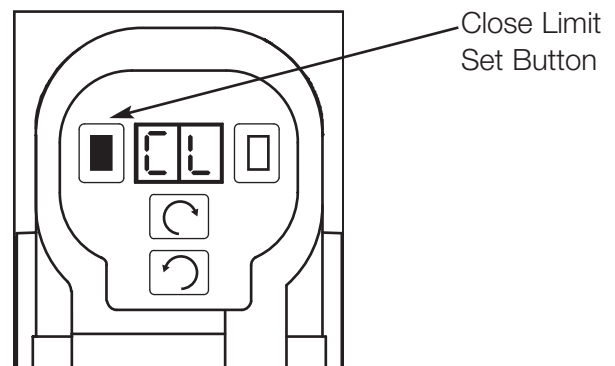
#### STEP 2

Adjust the position of the EDU to the desired close limit using the adjustment arrows buttons.



#### STEP 3

Press and hold the Close Limit Set or  button for 5 seconds, the LED will flash CL for 2 seconds then go dark, indicating the current position has been stored as the close limit.







# 7 Troubleshooting

## 7.1

### Symptom

The draperies will not open or close.

### Solution

- ...Check power to the EDU by pressing either the  or  button. If the LED display does not show LS check that:
  - ¥ transformer has power
  - ¥ EDU is wired correctly
  - ¥ power wiring terminal is not miswired or disconnected
- ...Try to open and close the drapery using the buttons marked  and  on the EDU. If the drapery does not respond, check for and clear all obstructions.
- ...Check that the Open and Close limits are set correctly.

---

The Drapery does not respond to keypads or IR.

- ...Check that power is connected to the drapery.
- ...Check that EDU terminal block is connected securely and wired correctly.
- ...If using wall keypad, check that wall keypad has been wired correctly.
- ...If using IR remote, confirm that SV-IR, infrared receiver is wired to EDU correctly, and is not obstructed.
- ...If using IR remote, check transmitter batteries.

---

Draperies do not move together in a group.

- ...Confirm that all EDUs are wired correctly, including power and Comm Link.
- ...Check EDU programming
  - ¥ Assignment
  - ¥ Addressing

---

Drapery will not move to full open or full close.

- ...Confirm that open and close limits are set correctly.
  - ...Confirm that drapery fabric is not obstructed or caught on something.
  - ...Confirm that drapery fabric is hanging from only the 1st and 4th holes of the master car.
-



# Limited Warranty

## SIVOIA QED DRAPERY SYSTEM EIGHT YEAR LIMITED WARRANTY

Vimco warrants, for eight years from shipment, each new *Sivoia QED* Drapery System to be free from defects in materials or workmanship under conditions of normal use and specified ambient temperature when installed and operated in accordance with Vimco product specifications, applicable local electrical and building codes, applicable National Electrical Code provisions, and the Safety Standards of Underwriter's Laboratories.

### WHAT VIMCO WILL DO

Upon the return of a system or system component, subsequently determined by Vimco to be defective, Vimco will, in its sole discretion, repair or replace the defective system or system component, provided that Vimco was promptly notified of the alleged defect within the warranty period, and provided that the system or system component was properly installed, wired, insulated, used, and maintained, as determined solely by Vimco. Vimco shall not be required to remove, install, or re-install any system or system component alleged to be defective.

Vimco will issue a credit for the cost of the repair or the replacement in accordance with the following schedule:

For the first 2 years after the date of shipment  
100%  
For years 3, 4, and 5 after the date of shipment  
50%  
For years 6, 7, and 8 after the date of shipment  
25%

## WHAT THIS WARRANTY DOES NOT COVER

1. Damage or improper operation determined by Vimco to be due to normal wear and tear, or to abuse, misuse, or accident, such as:
  - a. Use of incorrect line voltages;
  - b. Use of incorrect fuses or circuit breakers;
  - c. Failure to follow operating instructions provided by VIMCO;
  - d. Unauthorized repairs or adjustments or alterations;
  - e. Direct exposure to corrosive materials;
  - f. Vandalism;
  - g. Fire, flood, "Acts of God", and other factors beyond the control of VIMCO.
2. The cost of labor, including any labor required to remove, install, or re-program any replacement item.
3. Components and equipment external to the *Sivoia QED* Drapery System, such as:
  - a. Non-Lutron lighting and automation systems;
  - b. Building wiring; and
  - c. Other manufacturers equipment, including, but not limited to:
    - i. Time clocks;
    - ii. Audio-visual equipment; and
    - iii. Photo sensors.
4. The cost of repairing or replacing property or equipment other than the warranted system.

## HOW TO GET SERVICE UNDER THIS WARRANTY

Should you experience the need for service under this warranty, please contact your *Sivoia QED* Drapery System service representative immediately; or

Contact VIMCO by telephone toll-free at:  
1-800-446-1503; or

By mail to: Lutron Shading Solutions by VIMCO  
11520 Sun Shade Lane  
Ashland, VA 23005

or:

By E-mail: [info@vimco.com](mailto:info@vimco.com)

# Limited Warranty

## LIMITATIONS AND EXCLUSIONS

THIS WARRANTY IS EXCLUSIVE. THERE ARE NO OTHER EXPRESS WARRANTIES.

THE IMPLIED WARRANTY OF MERCHANTABILITY IS LIMITED TO TWO YEARS FROM THE DATE OF SHIPMENT. VIMCO SHALL NOT BE LIABLE FOR ANY REPAIR WORK UNDERTAKEN WITHOUT ITS PROPER WRITTEN CONSENT, OR FOR INCIDENTAL, CONSEQUENTIAL, OR SPECIAL DAMAGES. VIMCO'S LIABILITY ON ANY CLAIM FOR DAMAGES ARISING OUT OF OR IN CONNECTION WITH THE MANUFACTURE, SALE, INSTALLATION, DELIVERY, USE, REPAIR, OR REPLACEMENT OF THE SHADING SYSTEM SHALL NEVER EXCEED THE PRICE PAID FOR THE SYSTEM. SOME STATES DO NOT ALLOW LIMITATIONS ON HOW LONG AN IMPLIED WARRANTY LASTS, SO THE ABOVE LIMITATION MAY NOT APPLY TO YOU. SOME STATES DO NOT ALLOW THE EXCLUSION OR LIMITATION OF INCIDENTAL OR CONSEQUENTIAL DAMAGES, SO THE ABOVE LIMITATION OR EXCLUSION MAY NOT APPLY TO YOU.

This product may be covered under one or more of the following U.S. Patents: 5,671,387; 6,313,588; 6,346,781; DES. 370,663; DES. 378,814; DES. 437,585; DES. 450,043; and DES 462,332. and corresponding foreign patents. US and foreign patents pending.

Lutron, the Sunburst logo, and Sivoia are registered trademarks, and Sivoia QED and Lutron controls your light are trademarks of Lutron Electronics Co., Inc.

## Technical Assistance

**Lutron Shading Solutions by VIMCO**  
**11520 Sun Shade Lane**  
**Ashland, Virginia 23005**

**[www.lutron.com](http://www.lutron.com)**

24/7 service and support:

call: 1-800-446-1503

fax: 1-804-752-3366

email: [shadinginfo@lutron.com](mailto:shadinginfo@lutron.com)

©2004 LUTRON Electronics Co., Inc.

Printed in the U.S.A.

P/N 045-014 REV. A

## Limited Warranty

Lutron Shading Solutions by VIMCO offers an 8-year limited warranty for our shading systems. Please contact customer service or visit our website for a complete warranty statement.

Lutron Shading Solutions by VIMCO reserves the right to make improvements or changes to these products without prior notice. Although every attempt is made to ensure that this information is accurate and up to date, please check with Lutron Shading Solutions by VIMCO to confirm product availability, the latest specifications, and suitability for your application.

These products may be covered by one or more of the following US patents:

5,671,387; 6,313,588; 6,346,781; DES. 370,663; DES. 378,814; DES. 437,585; DES. 450,043; and DES 462,332.

and corresponding foreign patents. US and foreign patents pending.

Lutron, the Sunburst logo, and Sivoia are registered trademarks, and Sivoia QED and Lutron controls your light are trademarks of Lutron Electronics Co., Inc.

## Technical Assistance

**Lutron Shading Solutions by VIMCO**  
**11520 Sun Shade Lane**  
**Ashland, Virginia 23005**

**[www.lutron.com](http://www.lutron.com)**

24/7 service and support:

call: 1-800-446-1503

fax: 1-804-752-3366

email: [shadinginfo@lutron.com](mailto:shadinginfo@lutron.com)

'2004 LUTRON Electronics Co., Inc.

Printed in the U.S.A.

P/N 045-014 REV. A



Lutron controls your light...