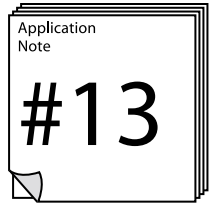


LUTRON®

For Your Information ...



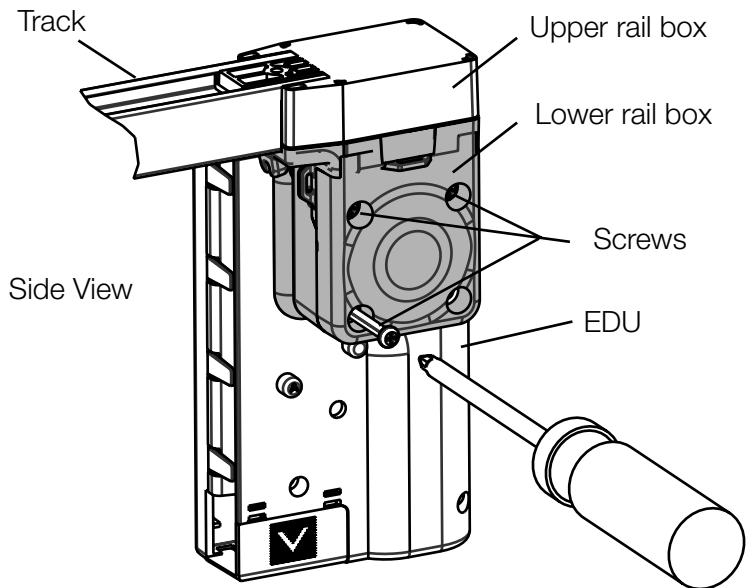
Retrofitting an existing Sivoia QED® Drapery Track System with the Enhanced Sivoia QED Drapery Electronic Drive Unit

Overview

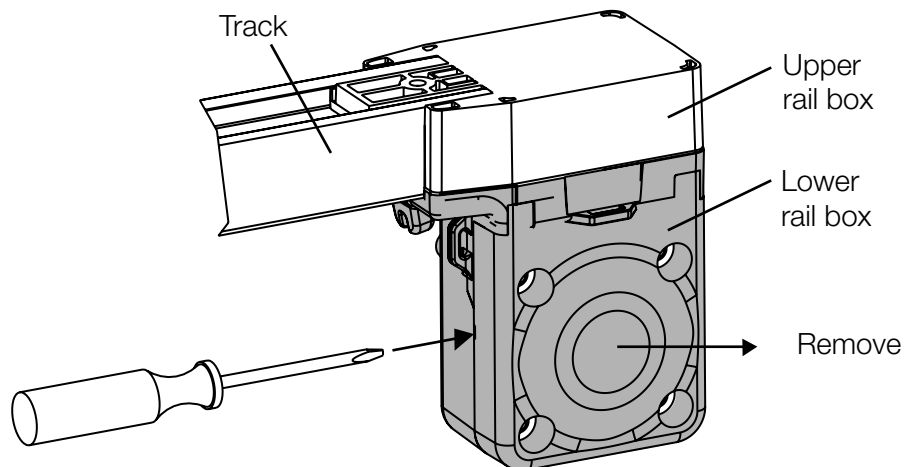
An existing Sivoia QED Drapery Track system can be retrofit with the Enhanced Sivoia QED Drapery Electronic Drive Unit (EDU).

Instructions

1. Unplug the existing drive unit at the EDU and remove power to the transformer that is used to power the EDU.
2. Remove track from ceiling/wall.
3. Remove the (3) screws from the lower rail box that hold the EDU on. Remove EDU.

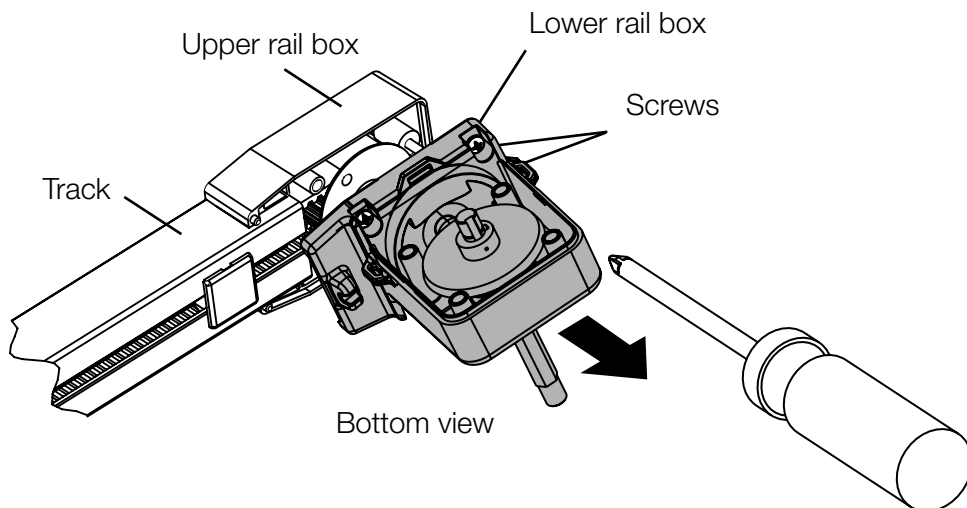


4. Using a small flat head screw driver, remove the side of the lower rail box that contained the screw heads from Step 3.

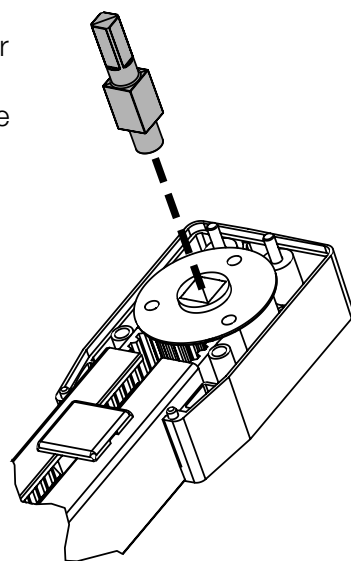


Need additional assistance? Call the Lutron Technical Support Center 1-800-523-9466.

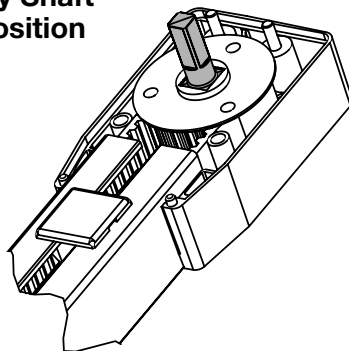
5. Remove the (4) screws from the lower rail box that hold it to the upper rail box.
Remove the lower rail box.



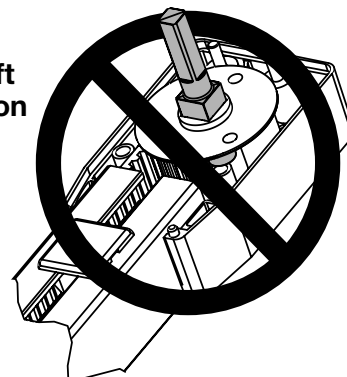
6. Insert the new pulley shaft into the plastic pulley and the upper rail box as shown. (Ensure the pulley shaft is fully seated in the upper rail box)



**New Pulley Shaft
Correct Position**



**New Pulley Shaft
Incorrect Position**

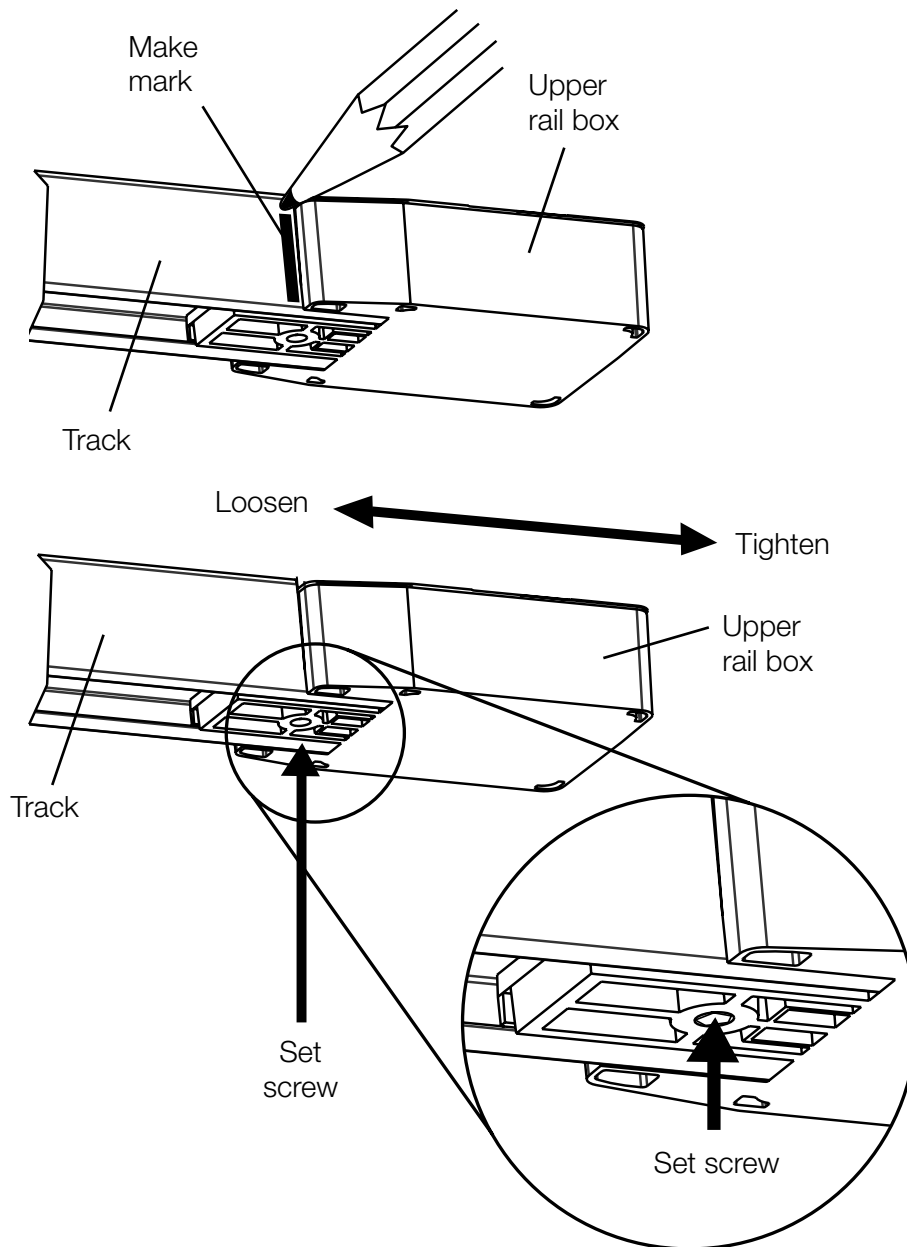


Adjusting belt tension

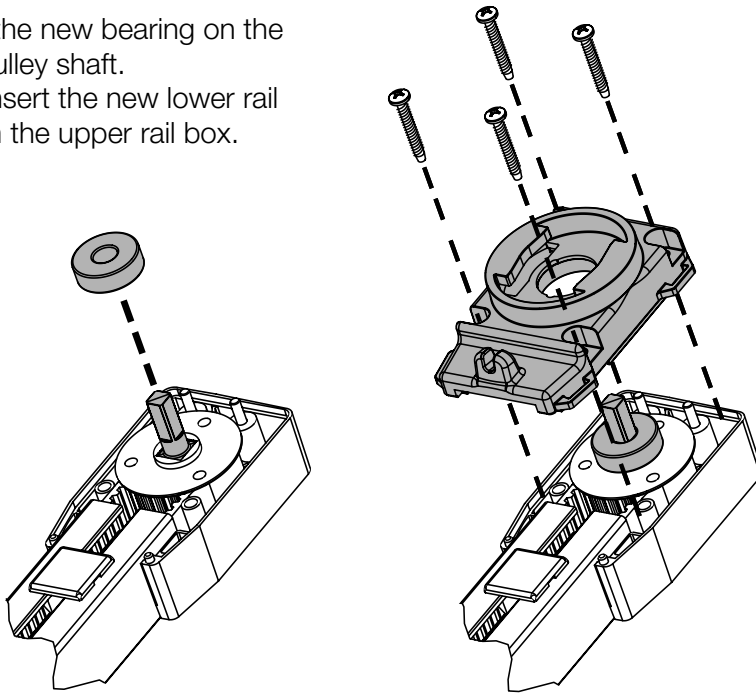
Note:

To allow for easier insertion of the new pulley shaft, it is recommended to adjust the belt tension.

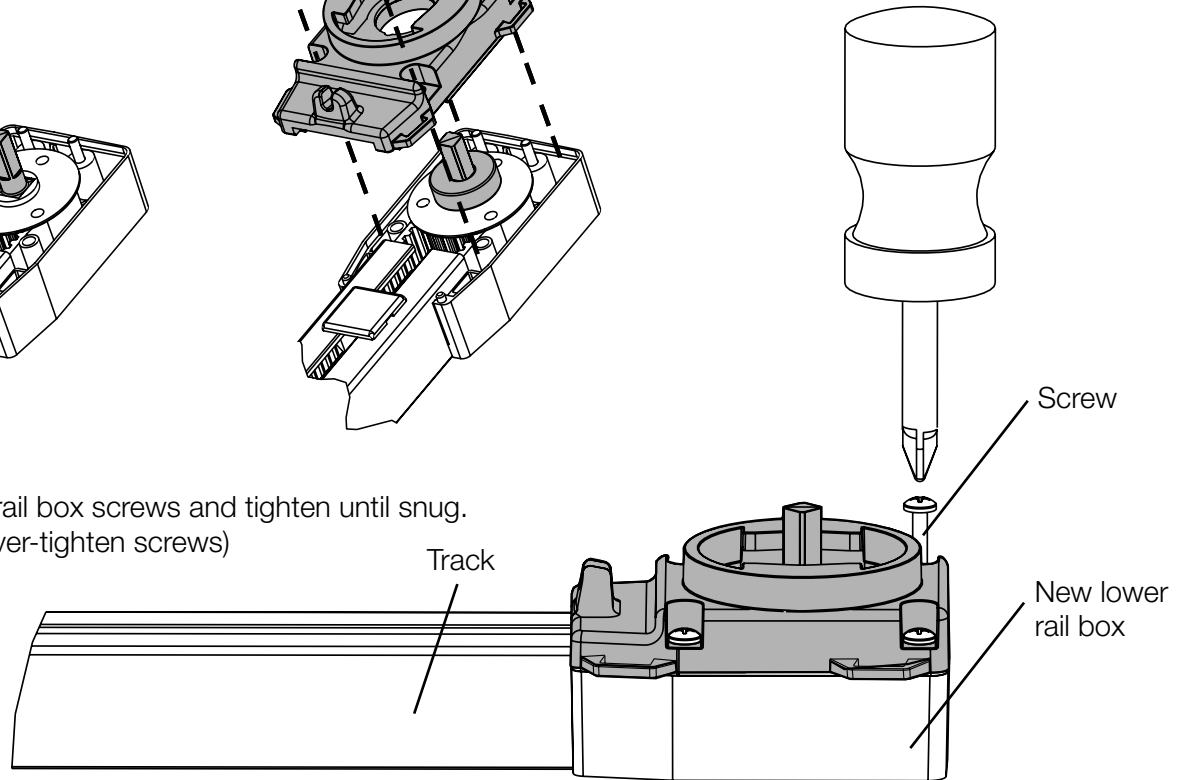
- A)** Mark the present position of the upper rail box on the track.
- B)** Loosen the set screw (use 5/64 in. hex wrench) and slide the upper rail box assembly as shown to adjust tension.
- C)** Once the new pulley shaft is installed, return the upper rail box to its original tension position by aligning it with the mark, created in Step A. Next tighten the set screw.



7. Insert the new bearing on the new pulley shaft.
Next insert the new lower rail box on the upper rail box.



8. Insert the (4) lower rail box screws and tighten until snug.
(Be careful not to over-tighten screws)



9. Re-install the track on the ceiling/wall.

Note:

For the following steps please refer to Sivoia QED installation and operating instructions - Drapery System, P/N 045-121.

10. Mount the new EDU per the installation instructions.
11. Replace the existing 7-pin terminal block from the transformer/wall control/power panel, with the new 7-pin terminal block, per the installation instructions.
12. Reapply power to the transformer and the EDU.
13. Set limits from EDU per the installation instructions.

Worldwide Technical and Sales Assistance

If you need assistance call the toll-free **Lutron Technical Support Center**. Please provide exact model number when calling.

24 hours/day + 7 days/week
(800) 523-9466 (U.S.A. and Canada)
Other countries call (610) 282-3800

Visit us on the web at www.lutron.com

Lutron Electronics Co., Inc.
7200 Suter Road
Coopersburg, PA 18036-1299 U.S.A.
Phone: (610) 282-3800
Fax: (610) 282-3090

Luton, Sivoia, and Sivoia QED are registered trademarks of Lutron Electronics Co., Inc.
© 2007 Lutron Electronics, Co., Inc.

P/N 045-129 Rev A

Need additional assistance? Call the Lutron Technical Support Center 1-800-523-9466.